



## CL25-11 Searchlight HMI

The product family CL25 is our medium size searchlight. Based on energy efficient HMI light technology and the robust design targeting the professional customers that meet the harsh marine conditions, the perfect tool for performing in any task. Here in the configuration Dual White light and for standing mount.

Item Number	LNCLS-25011-AF
GTIN	7072720004135
Stock status	M



## Technical specifications

### Navigation

Output angle (°)	3-20°
PAN Sector	Endless rotation
TILT Sector	Endless rotation
1 Lux Range	3200

### Certificates

Marine Approved	True
-----------------	------

### Technical Data

Minimum ambient temperature (°C)	-25
Maximum ambient temperature (°C)	55
IP classification	66

### Light Technical Data

Light source	HMI
Lumen out (lm)	66000
Number of lamps	1
Lumen value supplied light source (lm)	66000
Lumen per Watt (lm/W)	62
Lamp colour temp (K)	5500
CRI Colour rendering index	90
Candela Output (cd)	10500000
Light source 2	HMI
Number of lamps 2	1
Light source included	True

### Electrical Data

Minimum Voltage -10% (VAC)	110
Maximum voltage +10% (VAC)	240
Minimum frequency -5% (Hz)	50
Maximum frequency +5% (Hz)	60
Total consumption (W)	1070

### Optic

Material of reflector	Aluminium
Power factor	0.97

### Housing

Main body material	Seawater-resistant stainless steel
Body colour	White

### Dimensions

Length (mm)	743
Width (mm)	743
Height (mm)	637
Net weight (kg)	69

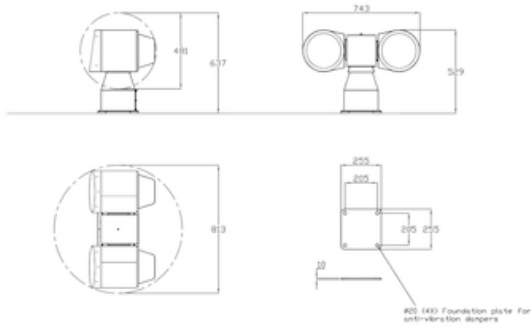
### Mounting

Mounting accessories	Vibration dampers (included)
----------------------	------------------------------

### Logistic Data

Net weight (kg)	69
-----------------	----

## Illustrations



## Build your searchlight system / CL25/35/38

### Required items to build a working searchlight system



#### Searchlight model

- Standing or Upside/Down
- IR thermal camera
- UV filter

#### Cables

Power and Signal cable  
2m, 7m, 15m or 30m

Video Cable (for IR thermal camera)  
10m, 20m or 40m

Cables connected from factory



#### Power supply

100-240VAC

### Accessories

#### Control system



- Number of operator panels
- Ethernet switch
- Integration features
- Control cable Ethernet