



CL25-12 Searchlight HMI/UV

The product family CL25 is our medium size searchlight. Based on energy efficient HMI light technology and the robust design targeting the professional customers that meet the harsh marine conditions, the perfect tool for performing in any task. Here in the configuration Combined White-/UV light and for standing mount.



Item No.	LNCLS-25012-AF
GTIN	7072720004142
Stock status code	M



Technical specifications

Navigation

Output angle (°)	3-20°
PAN Sector	Endless rotation
TILT Sector	Endless rotation
Focus	Yes
1 Lux Range	2400

Certificates

Marine Approved	True
-----------------	------

Technical Data

Minimum TA (°C)	-25
Maximum TA (°C)	55
IP classification	66

Light Technical Data

Light source	HMI
Lumen Out (lm)	33000
Number Of Light Source	1
Lumen Light Source (lm)	33000
Power Consumption Light Source (W)	400
Lumen Per Watt (lm/W)	86
Lamp colour temp (K)	6000
Candela Output	5250000
Light source2	HMI
Light Source Included	True

Electrical Data

Main Feed AC (V) Min	220
Main Feed AC (V) Max	240
Main Feed Frequency Min	50
Main Feed Frequency Max	60
Total Consumption (W)	1070

Optic

Reflector Material	Aluminium
Power Factor	0.97

Housing

Body Colour	White
-------------	-------

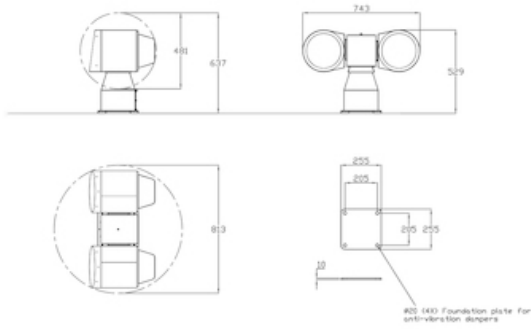
Dimensions

Length (mm)	743
Width (mm)	743
Height (mm)	637
Item Net Weight (kg)	59.8

Logistic Data

Item Net Weight (kg)	59.8
----------------------	------

Illustrations



Build your searchlight system / CL25/35/38

Required items to build a working searchlight system



Searchlight model

- Standing or Upside/Down
- IR thermal camera
- UV filter

Cables

Power and Signal cable
2m, 7m, 15m or 30m

Video Cable (for IR thermal camera)
10m, 20m or 40m

Cables connected from factory



Power supply

100-240VAC

Accessories

Control system



- Number of operator panels
- Ethernet switch
- Integration features
- Control cable Ethernet