

SeaTelecom (STC) is the solution to the demand for affordable onboard communication for ships. Thanks to the simple, yet well-considered concept of the systems, well-functioning communication equipment can be delivered to seagoing vessels at a very competitive price level.

- Excellent price-quality ratio (both telephone and PA)
- STC meets the onboard demands
- Peripheral equipment ready for delivery within 24h

70/100V combined transformer Primary connections

White: Green 70V

White: Red 100V

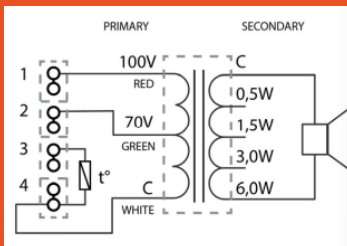
Secondary nominal tapplings

C : 6W 6,0 W

C : 3W 3,0 W

C : 1,5W 1,5 W

C : 0,5W 0,5 W



STC-1205

PART OF STC-PUBLIC ADDRESS

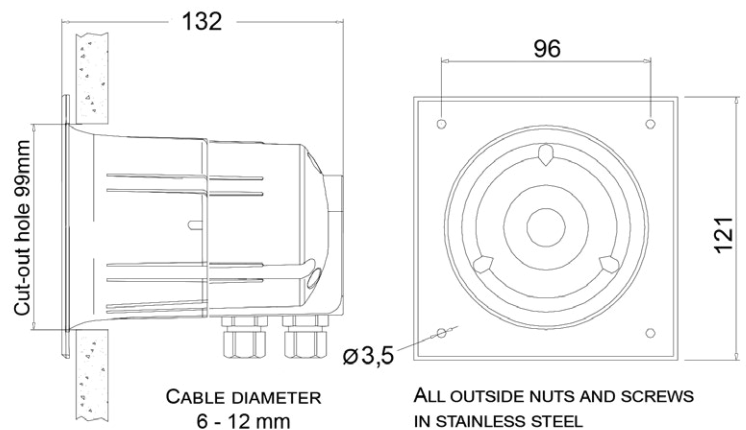


Description:

- Flush mounting speaker IP67
- Mounting with 4 screws, flush
- Polyamide V0 halogen free RAL7035
- Cable glands 2 x M20
- Thermal fuse
- Ceramic connection terminals
- MED type approval MEDB00008NW (HPS-6CT-MED)

Technical data:

- | | |
|-------------------------------|---------------------|
| • Standard version | 50/100V transformer |
| • Rated power | 6W |
| • SPL 1W/1m | 100dB |
| • SPL rated power | 107dB |
| • Dispersion (-6dB) 1kHz/4kHz | 170° / 60° |
| • Ambient temp. | -40 to 110°C |
| • Frequency range | 300-20000Hz |
| • Weight | 0,6 kg |



MADE FOR MARINE ENVIRONMENT