

CCM150

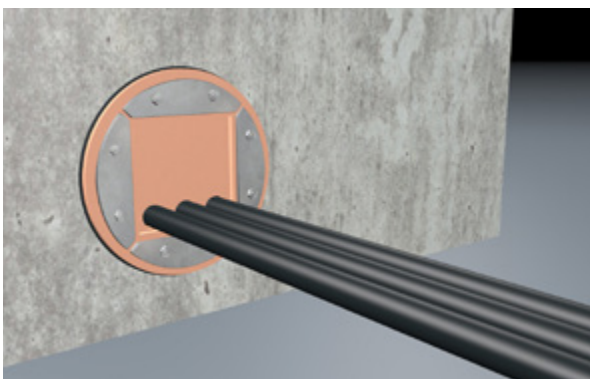
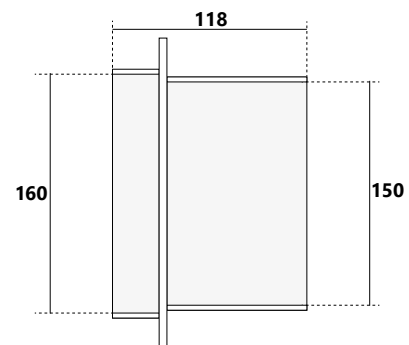
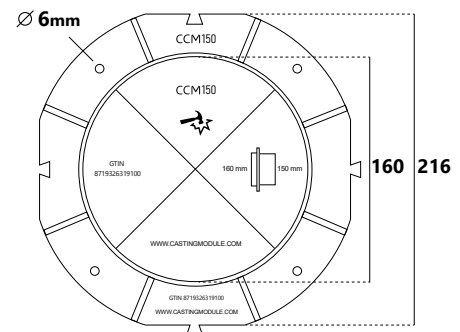
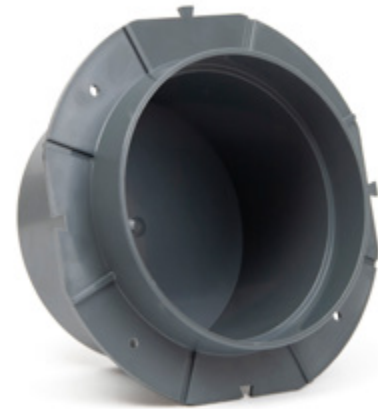
CONCRETE CASTING MODULE

The CCM150 casting module is designed to be poured into a concrete wall (for onshore projects). The casting module creates a round hole with an integrated plastic watertight shield, that can later be used for placing a transit for cables or pipes. The module is designed for cable transits of 150mm in diameter. As long as the casting module is not being used, it results in a round hole in the wall that includes a watertight shield.

Depending on the thickness of the wall, the CCM can be extended with a standard PVC tube, which must be cut to size, so that an even round hole is created over the entire depth of the wall once the wall has been poured.

Advantages of the CCM150:

- Waterproof seal
- Especially designed to fit in round transits like the RGP 150 from MCT Brattberg
- The modules can be interconnected (butterfly cutouts)
- Easy mounting prior to pouring concrete wall (attach module to concrete reinforcement with e.g. tie-wraps)



*The CCM150 in combination with an RGP150 from MCT Bratberg

