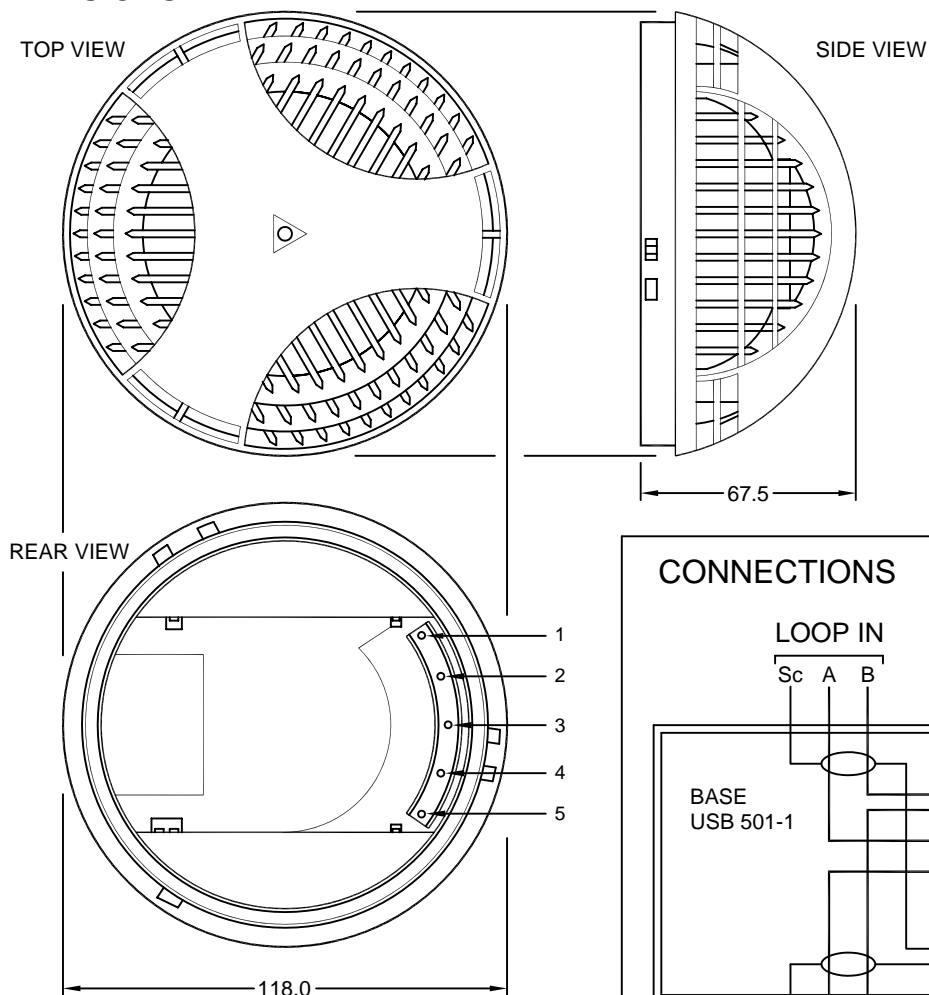


DIMENSIONS



DESCRIPTION

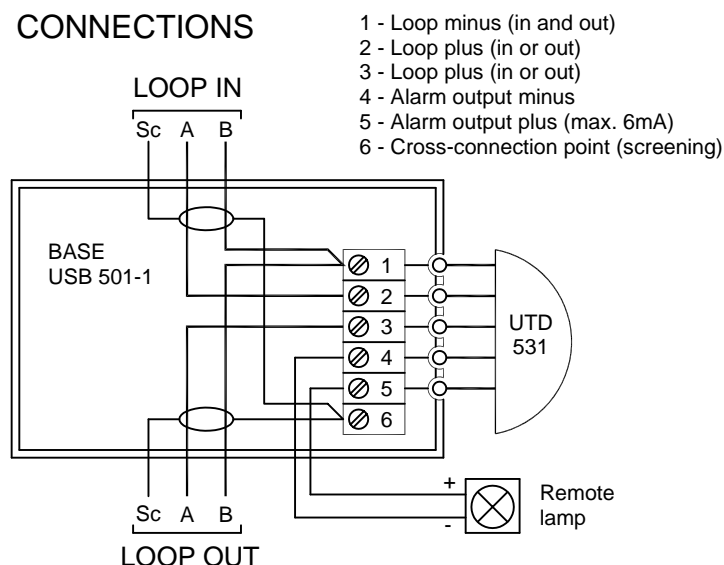
The UTD 531 detects open fires with or without smoke development. It measures the ambient temperature and responds if the values specified according to EN for the rate of rise of temperature or the maximum temperature is exceeded.

The universal temperature detector UTD 531 is available in three sensitivity ranges according to EN 54.

The most important features are :

- * Digital signal processing
- * Fault triggering in the event of component failure
- * A pre-alarm level.

CONNECTIONS



TECHNICAL DATA

PRINCIPLE OF OPERATION		NTC TEMPERATURE SENSOR
AREA TO BE MONITORED		max. 37 m ²
MOUNTING HEIGHT		max. 7.5 m
SENSITIVITY UTD 531-2		acc. to EN 54, part 5, Class 2
OPERATING VOLTAGE RANGE		15 - 30 VDC
CURRENT CONSUMPTION IN TOTAL	NORMAL	max. 150 µA
OPERATING VOLTAGE RANGE	ALARM	max. 6 mA
SIGNAL TRANSMISSION		Serial data transmission, 2-conductor technology
ALARM OUTPUT FOR REMOTE LAMP		6.8 VDC / max. 5 mA (short circuit proof)
PROTECTION CATEGORY in combination with base USB 501-1		IP22
TESTING BY VdS		acc. EN 54, parts 5/6
AMBIENT TEMP. RANGE (continuous)		-20 to +70 ° C
AMBIENT HUMIDITY (briefly without condensation) at 40 °C		95 % rel. h.
AMBIENT HUMIDITY (continuous without condensation) at 40 °C		70 % rel. h.
DIMENSIONS WITH BASE USB 501-1		Ø 118.0 mm / 78.0 mm
HOUSING MATERIAL / COLOUR		ABS / PC - ELECTRIC WHITE
WEIGHT		105 g
ART. NO. for UTD 531-2		1270025

SERVOTEKNIKK

HEAT DETEKTOR UTD 531-2

ADDRESSABLE CLASS 2

DRAWN ST DATE 2002.04.22

CHECKED HS DATE 2003.12.03

SIZE A4 FILE : 1270025E UTD 531-2

REV.

DESIGN SCALE SHEET 1 OF 1

UNLESS OTHERWISE SPECIFIED :