



G003169

# Conventional Heat Detector

## **Salwico EC-H/BS**

### **78°C**

Part no. 5200173-00A

System: ServoFighter, Salwico Cargo

### General Description

The EC-H/BS conventional heat detector belongs to Salwico EC range of detectors. EC is a range of conventional detectors, which have been produced using the latest in manufacturing technology and supplied with an array of advanced features, making them 'better by design'.

The EC-H/BS thermal detector uses a state of the art thermal element combined with an application specific integrated circuit (ASIC) to provide quick and accurate detection of fires. The detector incorporates a static element and is suitable where ambient conditions normally exhibit rapid changes in temperature e.g. galley.

The EC-H/BS detector also has an integral LED, which illuminates to provide a local alarm signal. An optional remote LED annunciator may be used to repeat any alarm signal.

#### Features

- Low profile design
- Low current draw
- 78°C Fixed Alarm Temperature
- Operates at 12 and 24VDC
- Remote alarm test feature
- Easy Maintenance
- Range of detector bases available
- Remote LED Option
- Approved to EN54 – 5:2000 Class BS

### Data

#### Electrical Specifications

Operating Voltage Range 8 to 30VDC  
(Nominal 12/24VDC)

#### Electrical Specifications

Maximum Standby Current at 25°C	75µA at 24VDC
Maximum Permissible Alarm Current	80mA (current limited by control panel)
Alarm Current at 24VDC	Max 33mA (with EC-BASE or EC-ADAPT)

#### Environmental Specifications

Application Temperature Range	-30°C to +70°C
Humidity	5% to 95% Relative Humidity (non-condensing)

#### Mechanical Information

Height	40.5mm (plus 9.5mm for standard base, 21mm for deep base)
Diameter	102mm
Weight	70g (plus 45g for standard base)
Wire Gauge for Terminals	0.4mm <sup>2</sup> to 2.0mm <sup>2</sup>
Colour	Approximates to RAL9016
Material	ABS
IP Rating	IP40/IP55 (Depending on base used)

#### Certificates

Certified according to



0832/yy  
yy = year of production

<b>CE</b>
Conventional Heat Detector
EN54-5 : 2000 Class BS + A1 5200173-00A EC-H-BS 0832-CPD-1556 11
Pittway Tecnologica Srl, Via Caboto 19/3, 34147 TRIESTE, Italy

OEM Part no. 156-3768-000

**Detector Bases**

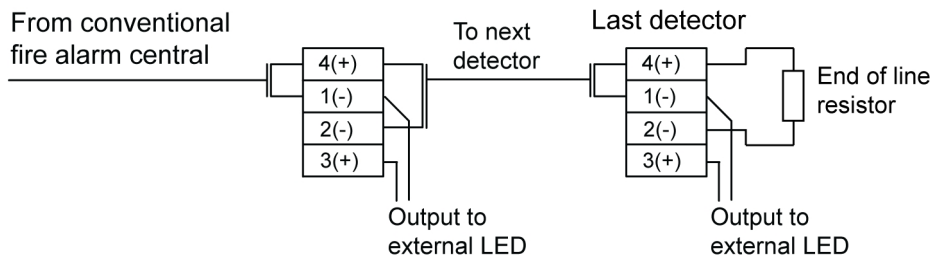
For Dry Spaces 5200177-00A EC-BASE  
For Wet Spaces 46950 IP55 Base  
5200178-00A EC-ADAPT IP55

**Installation**

1. Place the detector into the detector base and rotate clockwise with gentle pressure until the detector drops into place.
2. Continue rotating clockwise until the slot in the detector cover lines up with the lines moulded in the base.
3. After all detectors have been installed, apply power to the detector monitoring circuits.

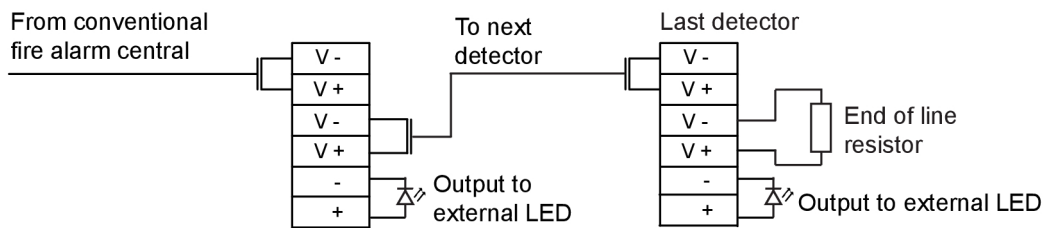
**Connection**

**Connection for EC-BASE**



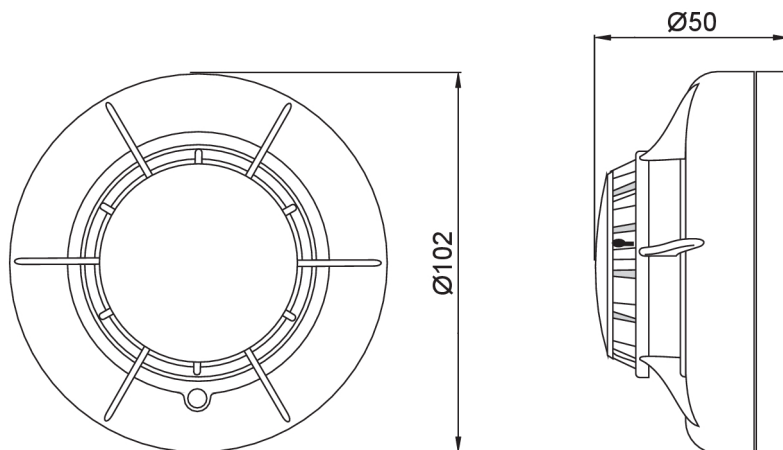
G003189

**Connection for EC-ADAPT**



G003545

**Dimensions (mm)**



G003191