



G003163

Conventional Smoke Detector

Salwico EC-P

Part no. 5200175-00A

System: ServoFighter, Salwico Cargo

General Description

The EC-P photoelectric smoke detector belongs to Salwico EC range of detectors. EC-P is a range of conventional detectors, which have been produced using the latest in manufacturing technology and supplied with an array of advanced features, making them 'better by design'.

The EC-P photoelectric smoke detector uses a state of the art optical chamber combined with an application specific integrated circuit (ASIC) to provide quick and accurate detection of fires. A combination of the unique chamber design and other technically advanced features will significantly extend the service intervals before cleaning of the detector becomes necessary.

Features

- Low profile design
- Low current draw
- Automatic drift compensation
- Operates on 12 and 24VDC Systems
- Remote alarm test feature
- Easy Maintenance
- Range of detector bases available
- Remote LED Option
- Approved to EN54 – 7:2000 (Amendment 1)

Data

Electrical Specifications

Operating Voltage Range	8 to 30VDC (Nominal 12/24VDC)
Maximum Standby Current at 25°C	60µA at 24VDC
Maximum Permissible Alarm Current	80mA (current limited by control panel)

Electrical Specifications

Alarm Current at 24VDC Max 33mA (with EC-BASE or EC-ADAPT)


Environmental Specifications

Application Temperature Range -30°C to +70°C
Humidity 5% to 95% Relative Humidity (non-condensing)

Mechanical Information

Height 32.5mm (plus 9.5mm for standard base, 21mm for deep base)
Diameter 102mm
Weight 75g (plus 45g for standard base)
Wire Gauge for Terminals 0.4mm² to 2.0mm²
Colour Approximates to RAL9016
Material ABS
IP Rating IP40/IP55 (Depending on base used)

Certificates

Certified according to  0832/yy
yy = year of production

CE
Conventional Optical Smoke Detector
EN54-7 : 2000 + A1 5200175-00A EC-P 0832-CPD-1555 11
Pittway Tecnologica Srl, Via Caboto 19/3, 34147 TRIESTE, Italy

OEM Part no. 156-3765-000

Detector Bases

For Dry Spaces 5200177-00A EC-BASE
 For Wet Spaces 46950 IP55 Base
 5200178-00A EC-ADAPT IP55

Installation

1. Place the detector into the detector base and rotate clockwise with gentle pressure until the detector drops into place.
2. Continue rotating clockwise until the slot in the detector cover lines up with the lines moulded in the base.



CAUTION!

Dust covers must be removed first after Commissioning

3. After all detectors have been installed, apply power to the detector monitoring circuits.

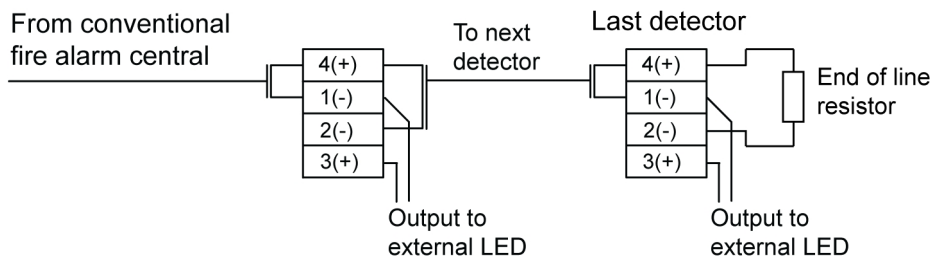


NOTE!

Dust covers must be removed before the system can be made operational.

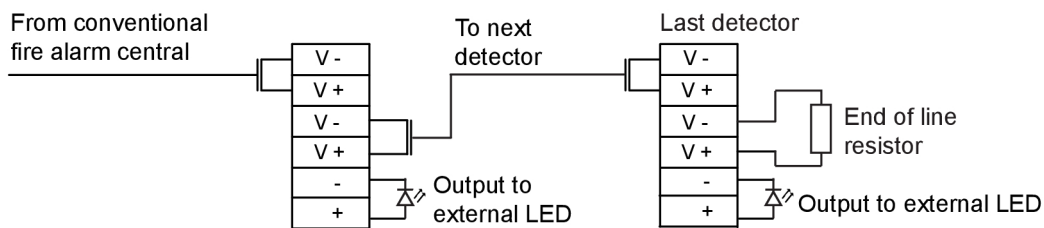
Connection

Connection for EC-BASE



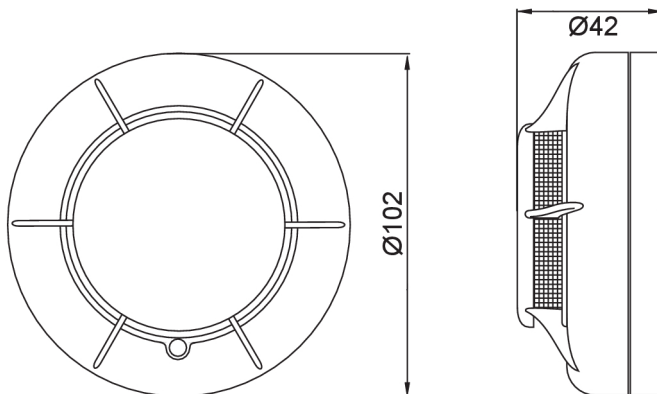
G003189

Connection for EC-ADAPT



G003545

Dimensions (mm)



G003192