



Optical smoke detector

Salwico NS-AOS

Part no. N11111

System: Salwico CS4000 and NSAC-1 fire alarm

Description

The NS-AOS is an analogue addressable optical smoke detector for Salwico addressable fire alarm systems.

The address is set with a DIP-switch mounted on the back of the detector.

When the detector is in alarm condition, a red LED on the detector will be lit. The LED is lit until the alarm has been reset at the control panel.

The detector is polarity independent.

An external LED indicator, buzzer etc. can be connected to the remote output.

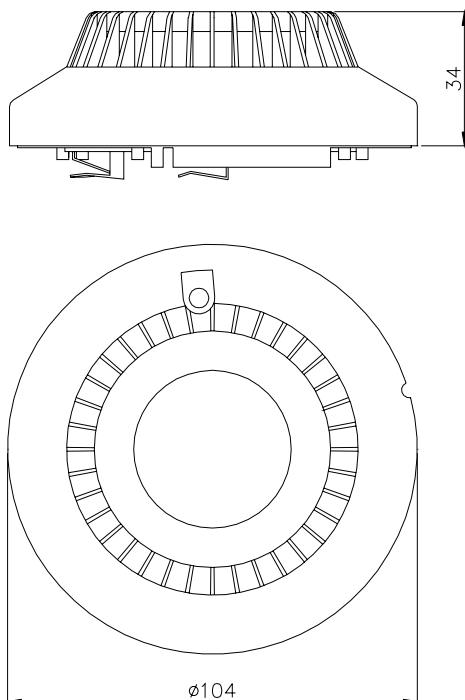
The polarity of the loop has to be connected according to the drawing below if the remote output is used.

Data

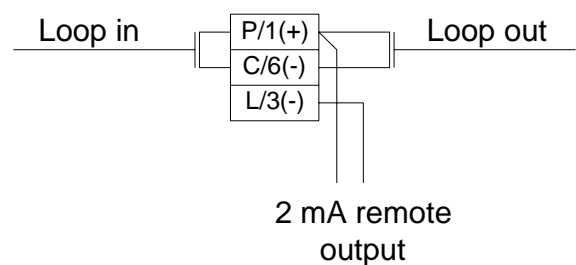
| | |
|-----------------------|---------------------------------|
| Sensing method | Light scattering type Infra-red |
| System voltage | 24 V DC |
| Operating voltage | 15-35 V DC |
| Operating current | |
| - supervising | 0.2 mA |
| - alarm | 2.5 mA |
| Remote output | 2 mA (for remote indication) |
| Operating temperature | -25° C to +70° C |
| Ambient humidity | 0 to 95% RH |
| Colour | White |
| Weight | ~121 g |

For information about suitable bases, see separate document "Base matrix Salwico units".

Dimensions (mm)



Connection



Dimensions (mm)

Connection