



# DNH

HEAD OFFICE, NORWAY  
DNH AS

Phone..... + 47 35 98 56 00  
Fax..... + 47 35 98 56 10  
E-mail..... dnh@dnh.no  
Web-Site..... www.dnh.no

ENGLAND  
DNH WW Ltd

Phone..... + 44 1908 275 000  
Fax..... + 44 1908 275 100  
E-mail..... dnh@dnh.co.uk

GERMANY  
DNH GmbH

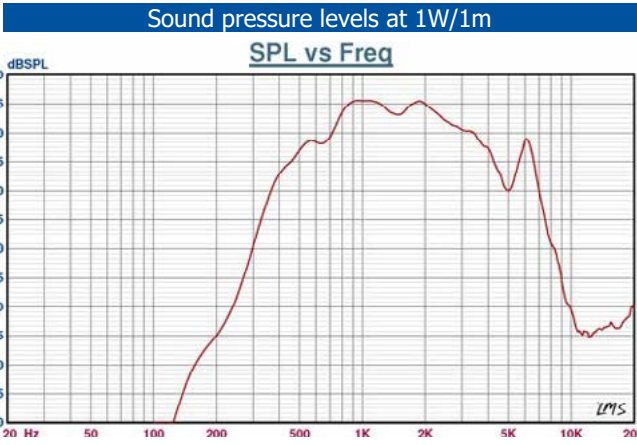
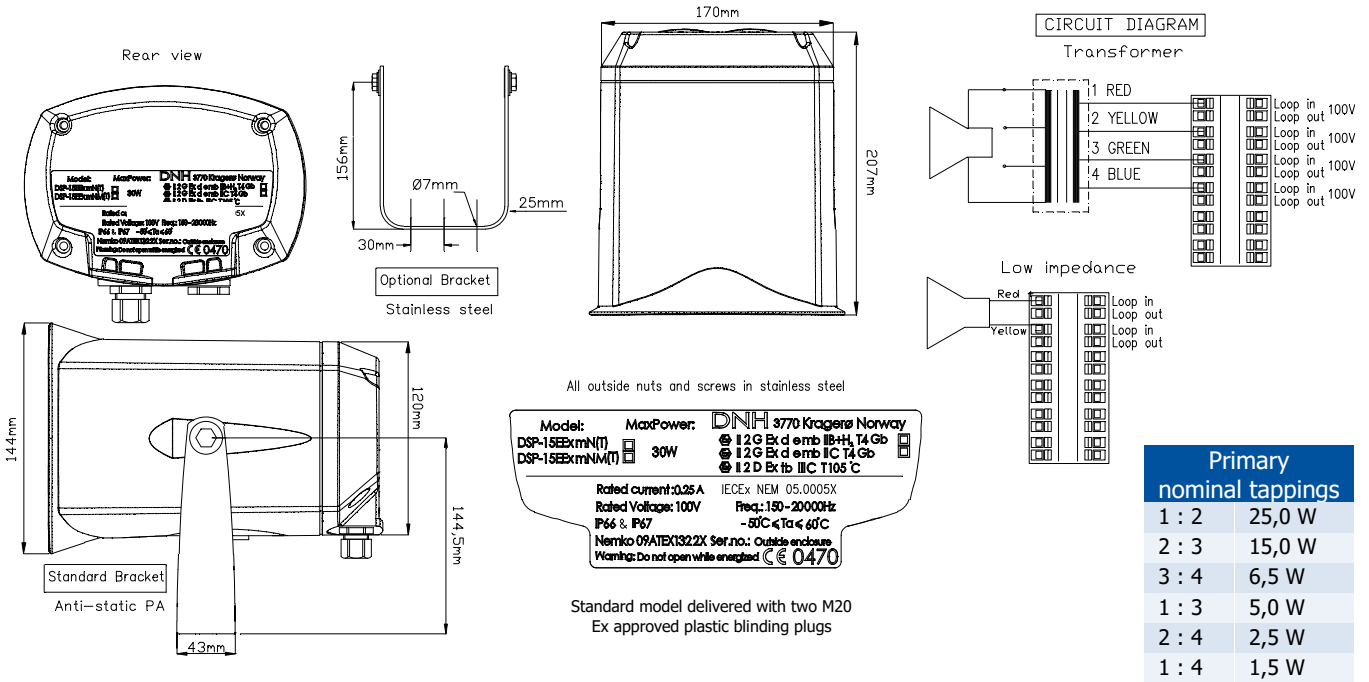
Phone... + 49 040 6569 30-0  
Fax..... + 49 040 6569 30-30  
E-mail..... dnh@dnh.de

USA  
DNH Speakers Inc

Phone..... + 1 484 494 5790  
Fax..... + 1 484 494 5793  
E-mail..... dnh@dnhspeakers.com

## DSP-15EExmN(T)

ISO 9001 CERTIFIED



Specifications	IIB	IIC
Material / Color	Anti-static PA / Black	
Mounting	Bracket	
Termination	e-chamber, push terminals	
Weight w/transformer	2,2 kg	
IP-rating	66 / 67	
Max. / min. amb. temp	60°C / -50°C	
Rated / max. power	25 W / 30 W	
SPL 1W/1m	106 dB	104 dB
SPL rated power	118 dB	115 dB
Effective freq. range	380 – 8000 Hz	450-7000
Dispersion (-6dB) 1kHz / 4kHz	120° / 37°	105° / 35°
Directivity factor, Q 1kHz/4kHz	4,5 / 9,6	
Options	Impedances, labels, transformers	

### Installation, Operation and Maintenance Procedures

- Remove lid by four screws, lead cable through the cable gland and connect to terminal with required tapping.
- Check that the gasket is fitted correctly on to the lid. Do not use any lubricants on the gasket.
- Screw lid back into place by four screws with a torque of 1,8Nm to assure the IP rating.
- To change the position of the loudspeaker, please adjust the standard U- bracket (by loosening / tightening the screws) as required.
- Use only certified/specified cable glands and blanking plugs reflecting the same IP rating and temperature range as the loudspeaker.
- Standard model delivered with two M20 Ex approved plastic blinding plugs.
- DSP-15EExmN(T) can be supplied with three different bracket systems, according to customer requirements.
- For optimum performance, always use the correct voltage / power and operate within the frequency limits as stated.
- Do not open loudspeaker when energized.

DNH reserves the right to alter specifications without notice

