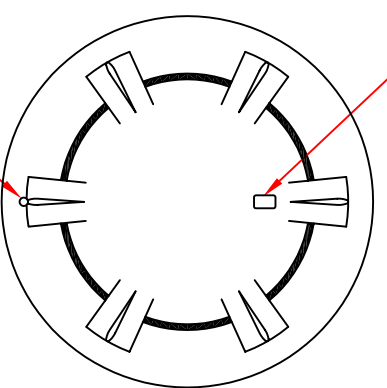


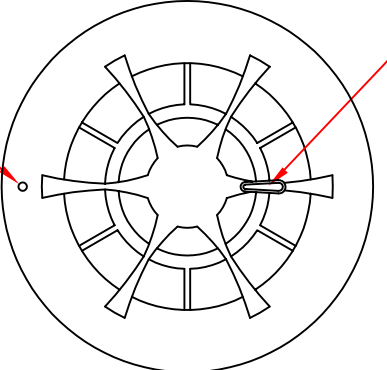
DEVICE PART No.	251604.02	251604.03	251604.04	251604.05	251604.06	251604.07	251604.08	251604.09
BASE PART No.	251604/251604.01	251604/251604.01	251604/251604.01	251604/251604.01	251604/251604.01	251604/251604.01	251604/251604.01	251604/251604.01
SUPPLY VOLTAGE	8.5-33V DC	8.5-33V DC	8.5-33V DC	8.5-33V DC	8.5-33V DC	8.5-33V DC	8.5-33V DC	8.5-33V DC
AVERAGE QUIESCENT CURRENT AT 24V	65µA	65µA	65µA	65µA	65µA	65µA	65µA	65µA
SAMPLING FREQUENCY	ONCE EVERY 4 SEC.	ONCE EVERY 4 SEC.	ONCE EVERY 4 SEC.	ONCE EVERY 4 SEC.	ONCE EVERY 4 SEC.	ONCE EVERY 4 SEC.	ONCE EVERY 4 SEC.	ONCE EVERY 4 SEC.
ALARM CURRENT (AT 24V)	40mA	40mA	40mA	40mA	40mA	40mA	40mA	40mA
ALARM LOAD	600Ω	600Ω	600Ω	600Ω	600Ω	600Ω	600Ω	600Ω
OPERATING & STORAGE TEMPERATURE (NO ICING)	-40°C TO +70°C	-40°C TO +70°C	-40°C TO +70°C	-40°C TO +70°C	-40°C TO +70°C	-40°C TO +70°C	-40°C TO +70°C	-40°C TO +70°C
HUMIDITY (NO CONDENSATION)	0-98%	0-98%	0-98%	0-98%	0-98%	0-98%	0-98%	0-98%
MAX. WIND (CONTINUOUS)	unaffected	unaffected	unaffected	unaffected	unaffected	unaffected	unaffected	unaffected
DIMENSIONS & WEIGHT OF DETECTOR	100mm x 34mm, 70g	100mm x 34mm, 70g	100mm x 34mm, 70g	100mm x 34mm, 70g	100mm x 34mm, 70g	100mm x 34mm, 70g	100mm x 32mm, 75g	100mm x 50mm, 80g
DIMENSIONS & WEIGHT OF DETECTOR IN BASE	100mm x 50mm, 130g	100mm x 50mm, 130g	100mm x 50mm, 130g	100mm x 50mm, 130g	100mm x 50mm, 130g	100mm x 50mm, 130g	100mm x 50mm, 135g	100mm x 60mm, 140g

MAXIMUM APPLICATION TEMPERATURE	
A1R, A2S	50°C
BR, BS	65°C
CR, CS	80°C

ORBIS OPTICAL DETECTOR



ORBIS HEAT DETECTOR

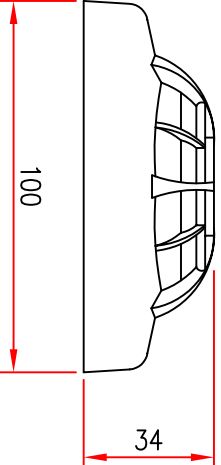
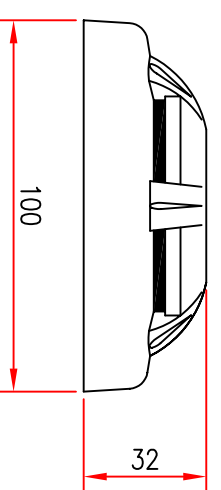


Mechanical Notes

MATERIAL	WHITE POLYCARBONAT
----------	--------------------

NOTES

1. ALARM INDICATION LED
2. Hole for unlocking of the detector from the base.



Ant./Qty.	Forandring/Alteration			Date/Sign.
Sym.	Konstr./Design	Kontroll/Controlled	Målestokk/Scale	
Dato/Date	2005-06-22		1:2	
Arkiv/Archive	Tegnet/Draw	Godkjent/Approved		
ifs	tem			
General Product Drawing				 Copyright © Etek Fire & Safety. All Rights Reserved
Orbis Detectors				
Henvisning/Reference			Ordre nr./Order no.	Konsulent/Consultant
T39928-N3				