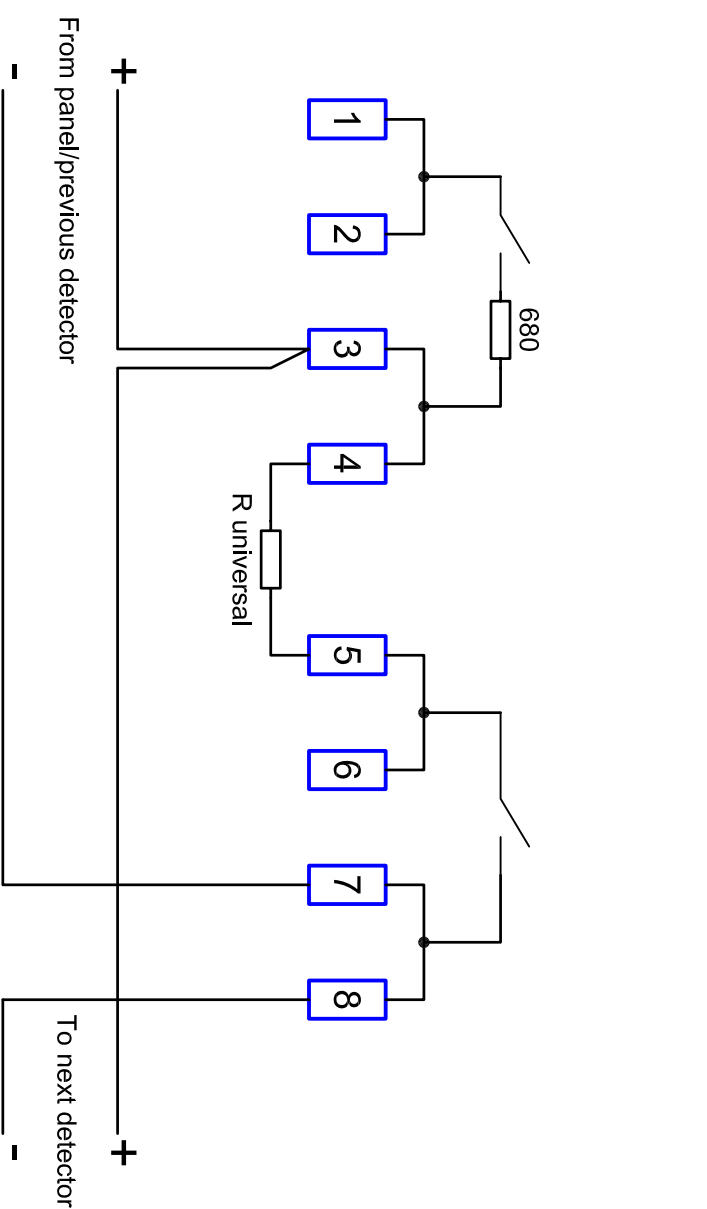


Specifications

DC Voltage	30VDC Max
Current rating	2A max
Cable termination	0.5 - 2,5mm ²
Ambient temperature	-30°C to +70°C
Material housing	PC/ABS
Weight	270g
Colour	RED, RAL 3001
Protection rating	IP 67
Dimensions (W x H x D)	93 x 98 x 70(mm)
Article no.	universal 251617 / R470 - 251617.50



Panel/sentral	R universal
BSX 1,2,3	470Ω
BSX 10	470Ω
BSX 40	1K8
BSX 80	220Ω
BSX 100	470Ω
Transponder/TAM/TAL	1K
ZL	470Ω
ZLX 30	470Ω
ZLX 60	680Ω
ANX 95	680Ω
DELTA DA	680Ω

Sym. / Ant. / Qty. / Forandring / Alteration

Dato / Date	Konstr. / Design	Kontroll / Controlled	Målestokk / Scale
Arktiv / Archive	Tegnet / Draw	Godkjent / Approved	1 : 2

Date / Sign.



Fire & Safety
by Honeywell

Copyright © EITeK Fire & Safety. All Rights Reserved

General product drawing
Manual Call Point
Watertight Conventional

T43726-N3

Henvising / Reference

Order nr. / Order no.

Erst. for / Replace for

Erst. av / Replaced by