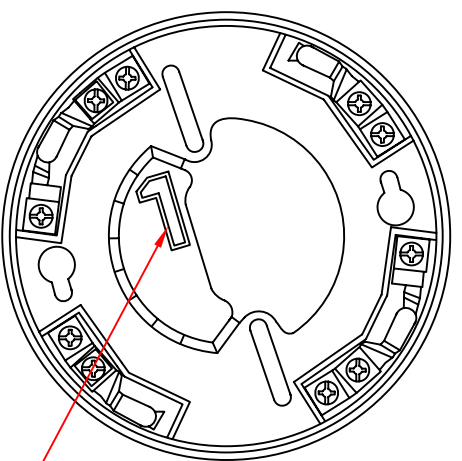
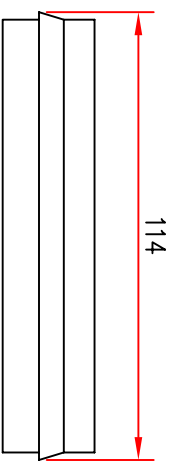


IQ8 BASE 885590

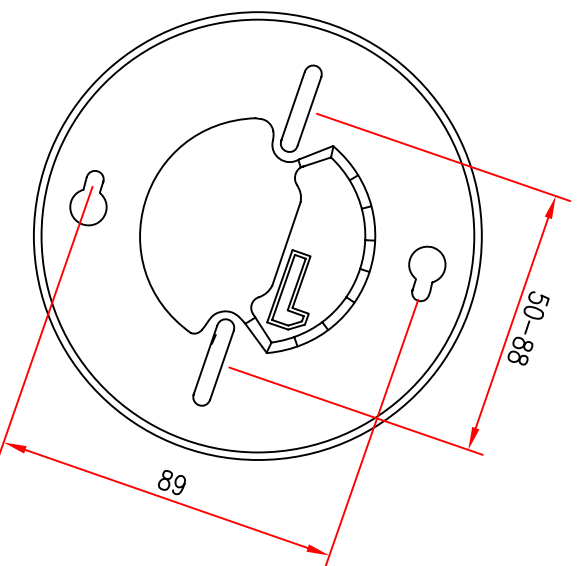
IQ8 RELAY BASE 885591



Note 1

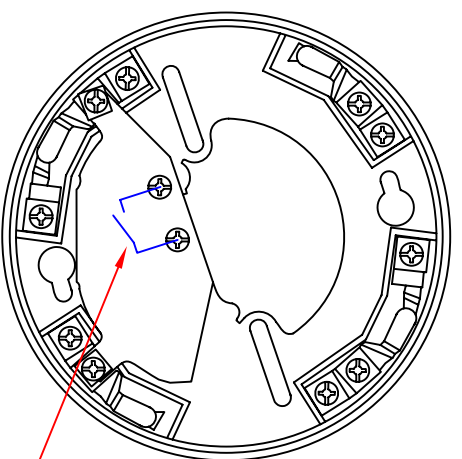


114

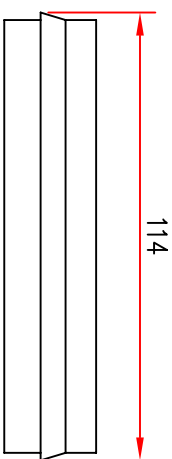


50-88

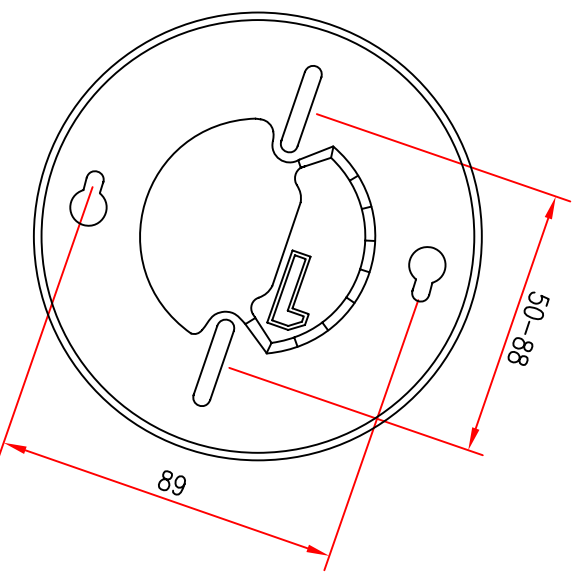
89



Note 2



114



50-88

89

BASE PART No.	BASE	RELAY BASE
885590	885590	885591
CONTACT RATING	-	30V DC/1A
MAX. CURRENT	-	20mA (incl. detector)
NORMAL OPERATING TEMPERATURE	-20°C TO +72°C	-20°C TO +72°C
STORAGE TEMPERATURE	-25°C TO +75°C	-25°C TO +75°C
HUMIDITY (NO CONDENSATION)	0-95%	0-95%
WEIGHT	Approx 60g	Approx 60g
ORIGIN	GERMANY	GERMANY

**NOTES**

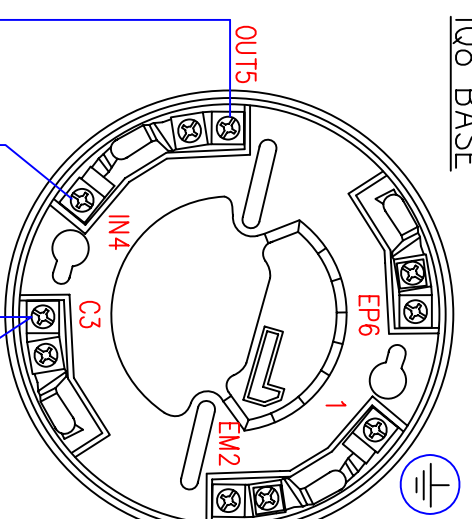
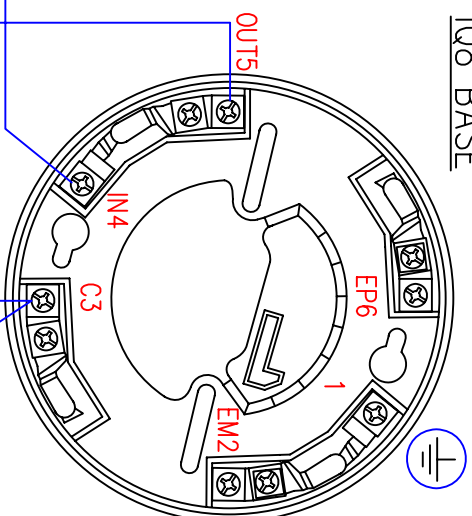
1. Snip along marked lines and remove this part to lock the detector to the base.
2. Protective diode must be used for non resistive loads on relay base.

**Mechanical notes**

WEIGHT	60g
MATERIAL	ABS-V0, White RAL 9010

IQ8 BASE

IQ8 BASE

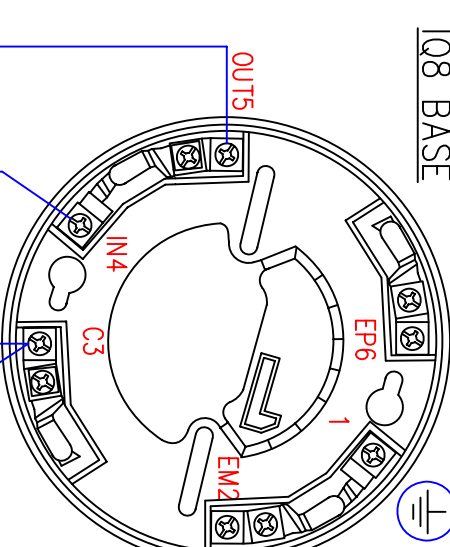
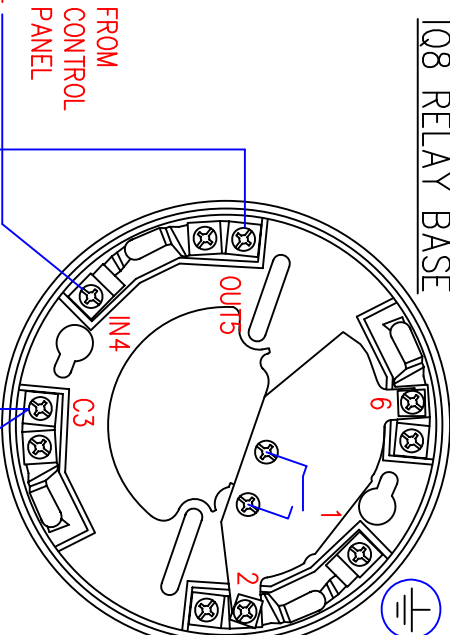


FROM CONTROL PANEL

TO NEXT DETECTOR/  
CONTROL PANEL

IQ8 RELAY BASE

IQ8 BASE



FROM CONTROL PANEL

TO NEXT DETECTOR/  
CONTROL PANEL

Ant./Qty.	Forandring/Alteration	Konstr./Design	Kontroll/Controlled	Målestokk/Scale	Date/Sign.
2005-06-29				1:2	
Arktiv/Archive	Tegnet/Draw	tem	Godkjent/Approved		
ifs					
<p>General Production Drawing IQ8 std. base &amp; relay base</p>					<p>Copyright © Etek Fire &amp; Safety. All Rights Reserved Erst. for/Replace for Erst. av/Replaced by</p>
<p>Henvising/Reference</p>					
<p>Ordre nr./Order no.</p>			<p>Konsulent/Consultant</p>		
<p>T39940-N3</p>					



Fire & Safety

Copyright © Etek Fire & Safety. All Rights Reserved  
Erst. for/Replace for Erst. av/Replaced by

T39940-N3