

HOLLAND STANDARD

1044/1444

1044/1444 WATERTIGHT MULTIPURPOSE LUMINAIRE

Application	Workshops, engine rooms, stores, holds, passage ways, etc.
Protection degree	IP67
Housing 1044	Zinc coated steel sheet deep drawn, seamless
Housing 1444	Stainless steel sheet deep drawn, seamless/ Zinc coated steel sheet deep drawn, seamless
Housing MIR	Aluzink (Z) or Stainless Steel (S)
Gear tray	Zinc coated steel sheet
Finish	Powder coated white RAL 9016
Diffuser	Clear polycarbonate
Cable entry	Plastic gland -0-, M20 x 1,5
Lamp base	G13
Light source (not incl.)	T26 / T38 fluorescent lamp 18 / 20W, 36 / 40W
Supply voltage	230V
Mounting	1044/1444: 2 holes, \varnothing 10mm MIR: Fixed end brackets



1044/1444



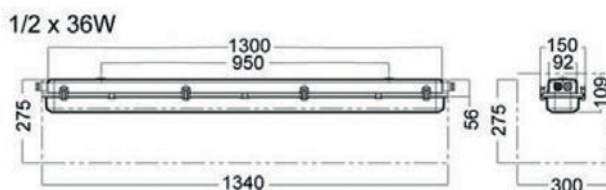
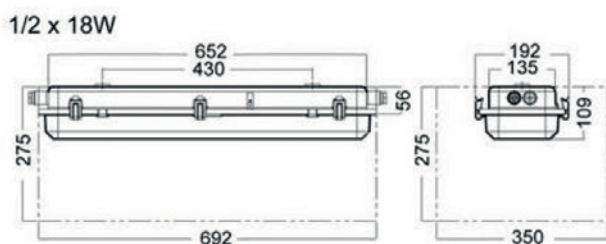
MIR



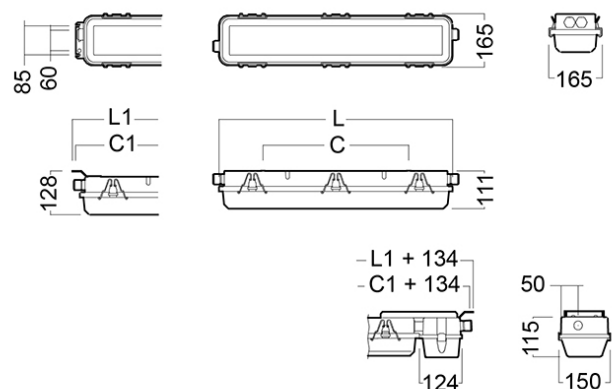
1044/1444



MIR



1044/1444



MIR

HOLLAND STANDARD

1044/1444

PART NO.		WEIGHT
Zinc coated steel: (with through wiring and electronic ballast HF)		
1044106292	1044 Z 218HF TW PC M20 IP67	3,8 kg
1044406286	1044 Z 236HF TW PC M20 IP67	5,3 kg
MIR036548	MIRZ67 218HF TW PC M20	3,2 kg
MIR036549	MIRZ67 236HF TW PC M20	5,7 kg
1044185201	2 x 18W/20W 24VDC	3,5 kg
Stainless steel version: (with through wiring and electronic ballast HF)		
1444208622	1444 S 218HF TW PC B20 IP67	4,1 kg
1444408467	1444 S 236HF TW PC B20 IP67	5,4 kg
MIR043059	MIRS67 218HF TW PC M20	3,8 kg
MIR040886	MIRS67 236HF TW PC M20	6,3 kg
Battery backup version:		
1444208621	1444 Z 218HF-E3 TW PC M20 IP67	5,0 kg
1444408466	1444 Z 236HF-E3 TW PC M20 IP67	6,4 kg
Stainless steel: (with through wiring and electronic ballast HF)		
1444208623	1444 S 218HF-E3 TW PC B20	5,0 kg
1444408468	1444 S 236HF-E3 TW PC B20 IP67	6,4 kg
Stainless steel:		
MIR041029	MIRS67 218HF- EB3/S TW PC M20	5,9 kg
MIR047011	MIRS67 236HF-EB3/S TW PC M20	8,4 kg
Zinc coated steel:		
MIR044707	MIRZ67 218HF-EB3 TW PC M20	
MIR040480	MIRZ67 236HF-EB3/S TW PC M20	7,6 kg
LED replacement/conversion kits for 1044/1444/1445 (with cover):		
8144510000	2200lm 840 220-240V	1,4 kg
8144511000	4500lm 840 220-240V	2,5 kg

