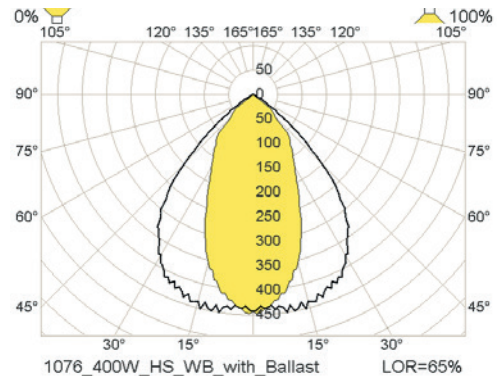
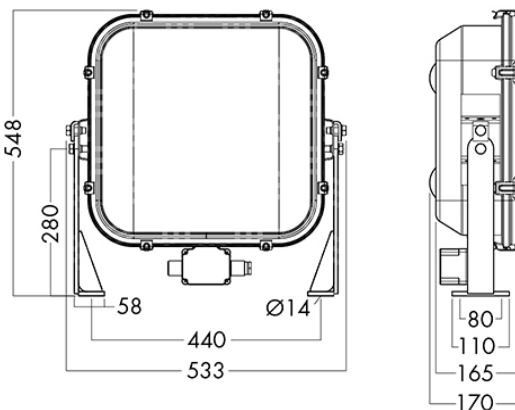


FLOODLIGHT WITH INCORPORATED BALLAST 400W

| | |
|---------------------------------|--|
| Application | Decks and holds, industrial and sport areas |
| Protection degree | IP67 |
| Housing | Stainless steel deep drawn, seamless |
| Reflector | Highly polished aluminum, anodized |
| Finish | Powder coated white RAL 9016 |
| Pane | Safety glass |
| Cable entry | Brass gland M24 x 1,5 |
| Lamp base | E40 |
| Light source (not incl.) | High pressure sodium (HPS) or metal halid (MH) lamp |
| Mounting | 2 Adjustable brackets with 2 mounting holes each, Ø 14mm |



PART NO.

| | |
|----------------------------|-----------------------------------|
| 1076028000 | 1 x 400W HPS 230V-50Hz, h.p.f.c.~ |
| 1076030000 | 1 x 400W HPS 220V-60Hz, h.p.f.c.~ |
| 1076042000 | 1 x 400W MH 230V-50Hz, h.p.f.c.~ |
| 1076044000 | 1 x 400W MH 220V-60Hz, h.p.f.c.~ |

WEIGHT

| |
|-------|
| 21 kg |
| 21 kg |
| 21 kg |
| 21 kg |

h.p.f.c.~ compensated version (with capacitor)