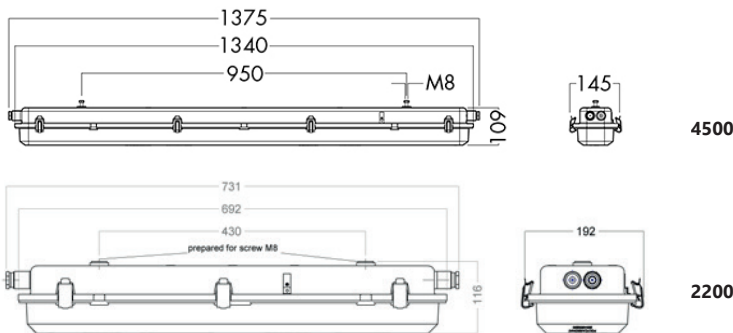


1445 WATERTIGHT MULTIPURPOSE LUMINAIRE LED

Application	Workshops, engine rooms, stores, holds, passage ways, etc.
Protection degree	IP67
Housing	Zinc coated steel sheet deep drawn, seamless or stainless steel available
Gear tray	Zinc coated steel sheet
Finish	Powder coated white RAL 9016
Diffuser	Clear polycarbonate
Cable entry	Plastic gland -0-, M20 x 1,5
Light source	LED 2x10W - 2437lm, 4000K LED 2x20W - 4995lm, 4000K
Mounting	2 holes, Ø 13mm



PART NO.

Zinc coated steel:

1445301248	1445 2200 840 220-240 IP66/67 M20
1445801236	1445 4500 840 220-240 IP66/67 M20

Stainless steel:

1445301246	1445 2200 840 220-240 IP66/67 M24 HFE3
1445801234	1445 4500 840 220-240 IP66/67 M24 HFE3

Battery backup zinc

1445301249	1445 2200 840 220-240 IP66/67 M20	4,9 kg
1445801237	1445 4500 840 220-240 IP66/67 M20	7,1 kg

Stainless steel battery backup:

1445301247	1445 2200 840 220-240 IP66/67 M24 HFE3	4,9 kg
1445801235	1445 4500 840 220-240 IP66/67 M24 HFE3	7,1 kg

LED replacement/conversion kits for 1044/1444/1445 (with cover)

8144510000	2200lm 840 220-240V	1,4 kg
8144511000	4500lm 840 220-240V	2,5 kg

WEIGHT

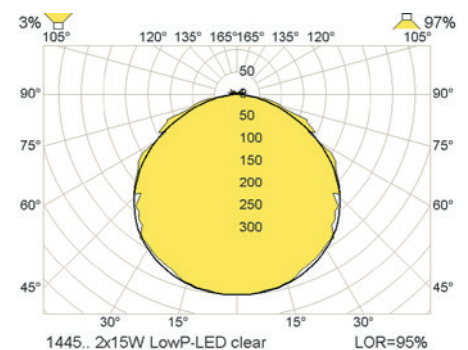
3,8 kg
6,0 kg

4,3 kg
6,0 kg

4,9 kg
7,1 kg

4,9 kg
7,1 kg

1,4 kg
2,5 kg



LED Replacement kit