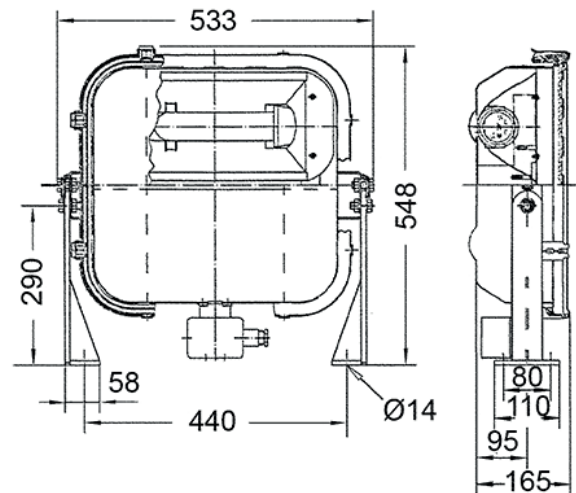


1776 EX N FLOODLIGHT 400W

Application	Hazardous areas ZONE 2
Protection degree	IP67
Ignition Class	Ex nR II T3 (60Hz) T2 (50Hz)
Housing	Stainless steel deep drawn, seamless
Reflector	Highly polished aluminum, anodized
Ballast	Incorporated
Finish	Powder coated white RAL 9016
Pane	Safety glass
Cable entry	Brass cable gland M24 x 1,5 MGCG
Lamp base	E40
Light source (not incl.)	High pressure sodium (HPS)
Mounting	2 Adjustable brackets with 2 mounting holes each, Ø 14mm



PART NO.

1776018000	1 x 400W HPS 230V-50Hz, h.p.f.c.~ Wide Beam
1776020000	1 x 400W HPS 220V-60Hz, h.p.f.c.~ Wide Beam

WEIGHT

21.0 kg
21.0 kg

h.p.f.c.~ compensated version (with capacitor)