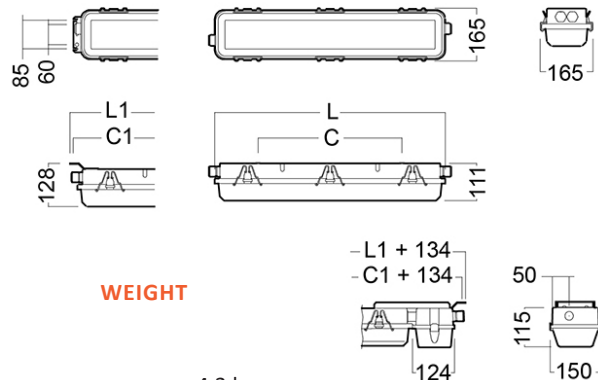


MAX WATERTIGHT EXPLOSION PROOF LUMINAIRES

Application	EX e Zone 1 and Zone 2 areas
Protection degree	IP66/67
Housing	Aluzinc or stainless steel Aisi 316L
Cable insert	2 x M20 polyamide or M25 nickel plated brass. through wiring 6 x 2,5 mm ²
Optic	Clear polycarbonate
Lamp base	G13
Light source	T8 - 2 x 18W / 2 x 36W
Mounting	Fixed end bracket



Wattage	L1	C1	L	C for Hood nut
18W	724	704	681	On request
36W	1334	1314	1291	On request



PART NO.

Galvanised

004845	MAXZ67 218HF 110-254V/50-60Hz TW PC M20	4,3 kg
004846	MAXZ67 236HF 110-254V/50-60Hz TW PC M20	7,0 kg

Stainless steel

004956	MAXS67 218HF 110-254V/50-60Hz TW PC B25	4,7 kg
004963	MAXS67 236HF 110-254V/50-60Hz TW PC B25	7,2 kg

Replacement for old Ex e fixtures 0285 galvanised

PA180409003	MAXZ67 218HF 110-254V/50-60Hz CROSSWISE480/GPG BRACK200 TW PC M25	4,3 kg
PA180409016	MAX67-236HF 110-254V 50-60Hz CROSSWISE950GPG BRACK200 TW PC M25	7,3 kg

Replacement for old Ex e fixtures 0285 stainless steel

PA180409004	MAXS67 218HF 110-254V/50-60Hz CROSSWISE480/GPG BRACK200 TW PC M25	4,7 kg
PA180409005	MAXS67 236HF 110-254V/50-60Hz CROSSWISE950/GPG BRACK200 TW PC BN25	7,3 kg

Battery backup galvanised

MAX016978	MAXZ67 218HF-EB3/S 110-254V/50-60Hz TW PC M20	6,4 kg
MAX016979	MAXZ67 236HF-EB3/S 110-254V/50-60Hz TW PC M20	9,1 kg

Battery backup stainless steel

MAX033653	MAXS67 218HF-EB3/S 110-254V/50-60HZ TW PC BN20	6,6 kg
MAX035551	MAXS67 236HF-EB3/S 110-254V/50-60Hz TW PC BN20	9,6 kg

