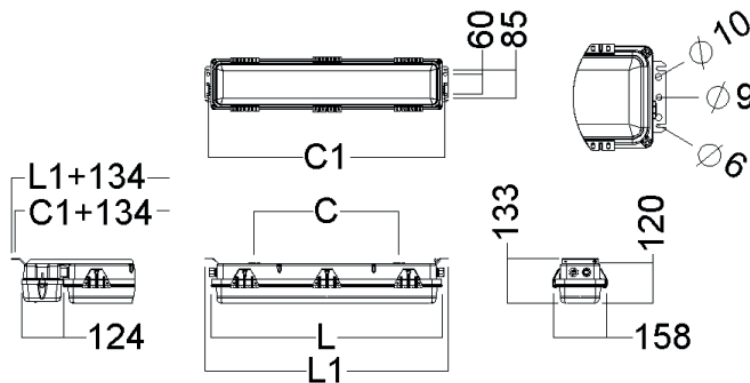


MAX LED WATERTIGHT EX LUMINAIRES

Application	EX e Zone 1 and Zone 2 areas (ATEX approved)
Protection degree	IP66/67
Housing	Aluzinc or stainless steel Aisi 316L
Cable insert	2 x M20 polyamide or M25 nickel plated brass. through wiring 6 x 2,5 mm ²
Optic	Polycarbonate
Light source	LED
Light temp.	5000K
Mounting	Fixed end bracket



*Emergency light versions are available with 1.5 or 3-hours battery duration.



Types	L1	C1	L	C= Hood nuts M8 distance		
MAX-600 LED IC	724	704	687	400	430	500
MAX-1200 LED IC	1334	1314	1296	500	700	950

PART NO.

Galvanised

[MAX085676](#) MAXZ67-600 LED 2200 HF TW PC 840 M20
[MAX085659](#) MAXZ67-1200 LED 4500 HF TW PC 840 M20

Stainless steel:

[MAX084812](#) MAXS67-600 LED 2200 HF TW PC 840 BN25
[MAX084808](#) MAXS67-1200 LED 4500 HF TW PC 840 BN25

Galvanised + battery:

[MAX085662](#) MAXZ67-600 LED 2200 HF-EB3/S TW PC 840 M20
[MAX085660](#) MAXZ67-1200 LED 4500 HF-EB3/S TW PC 840 M20

Stainless st + batt:

[MAX084813](#) MAXS67-600 LED 2200 HF-EB3/S TW PC 840 BN25
[MAX084809](#) MAXS67-1200 LED 4500 HF-EB3/S TW PC 840 BN25

WEIGHT

5.1 kg
8.1 kg

5.3 kg
8.4 kg

7 kg
10.2 kg

7.3 kg
11.2 kg

