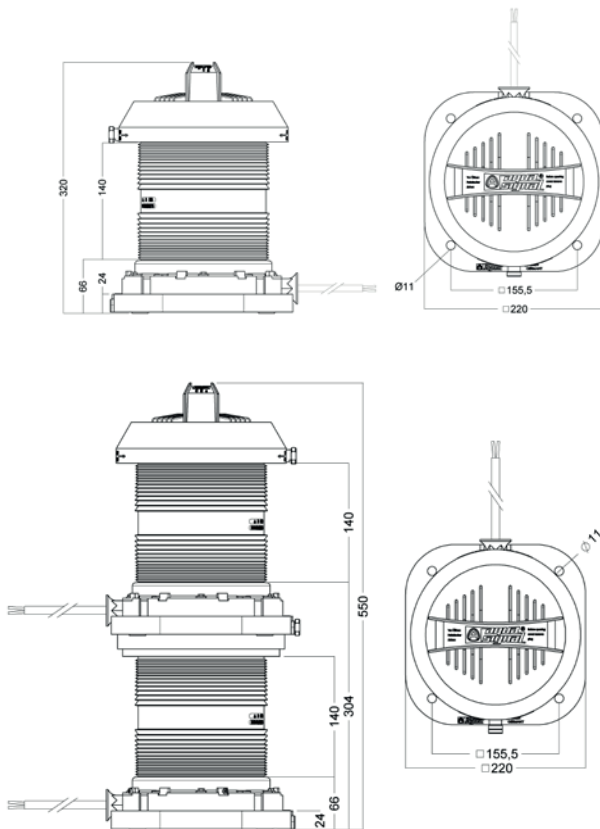


HOLLAND STANDARD

SERIES 70/70M

NAVIGATION LIGHTS SERIES 70/70M

Application	For vessels $\geq 20m$ For inland waterways without limitation of ship's length
Protection degree	IP56
Housing	Polycarbonate, glass fibre reinforced, other components of non-corrosive materials. Non magnetic, seawater resistant, housing colour black
Electric	Main lighting (upper unit) and spare lighting (lower unit) each come with 1,5m special connection cable 2 x 1.5mm ²
Cable insert	2 special cable glands M20 x 1.5 with buckling protection
Lamp base	P28s
Light source (not incl.)	incandescent lamp , see below Easy to change
Mounting	Base flange attachment, 4 screws diameter 10mm (not included). All lights may also be hoisted



HOLLAND STANDARD

SERIES 70/70M

PART NO.

Series 70 simplex:

3073100000	Starboard, 3 nm
3074200000	Port, 3 nm
3071000000	Masthead, 6 nm
3072700000	Stern, 3 nm
3072440000	Stern yellow, 3 nm
3072200000	Suez stern red, 3 nm
3070701000	All round white/anchor/RIM, 3 nm
3070200000	All round red/NUC, 3 nm
3070100000	All round green, 3 nm
3070440000	All round yellow, 3 nm
3070000000	Morse manoeuvre light, 5 nm

Series 70M duplex:

3583100000	Starboard, 3 nm
3584200000	Port, 3 nm
3581000000	Masthead, 6 nm
3582700000	Stern, 3 nm
3582400000	Stern yellow, 3 nm
3580700000	All round white/anchor/RIM, 3 nm
3580200000	All round red/NUC, 3 nm
3580100000	All round green, 3 nm
3580440000	All round yellow, 3 nm
3580300000	Passing light green/red, 3 nm
3580310000	Passing light red/green, 3 nm

Bulb (not included):

LAMP24V-40W	Incandescent lamp 24V 40W P28s
LAMP110V-60W	Incandescent lamp 110V 60W P28s
LAMP230V-65W	Incandescent lamp 230V 65W P28s

Can be ordered separately

WEIGHT

2,9 kg
2,9 kg
2,9 kg
2,9 kg
2,9 kg
2,9 kg
2,7 kg
2,7 kg
2,7 kg
2,7 kg
2,7 kg
2,7 kg

5,9 kg
5,9 kg
5,9 kg
5,9 kg
5,9 kg
5,6 kg
5,6 kg
5,6 kg
5,6 kg
5,6 kg
5,6 kg
5,6 kg

