

RGGOK BOLTING FRAME

MODULAR SURFACE BOLTED CABLE TRANSIT



CABLE TRANSITS

WHY MCT BRATTBERG CABLE TRANSITS?

- Proven sealing system for multiple cables and pipes
- Controllable system, reduces error probability during assembly
- Protection against pressure (up to 5.5 bar), water, gas, smoke, explosions (up to 27 bar), vibrations, noise, radioactive radiation, vermin and rats
- Fire retardant (EN 1366 tested, A0, A60, H120)
- Pre-greased blocks: simplifies and speeds up assembly and increases safety
- Very large assortment standard in stock
- MCT Brattberg has been tested and certified by almost all classification societies
- Guaranteed lifespan of 25 years, when correctly installed

RGB/RGG frames

MCT Brattberg has more than 60 years of experience in the development of high-quality cable and pipe penetrations. Basically, the system consists of transit windows and filling material, tailored to the quantity and size of cables and pipes to be fed through. The different types of RGB/RGG frames are intended for application in or on concrete walls. The RGG can be bolted afterwards.

Available in: stainless steel, primed steel and galvanized steel.



Types

RGB6X2F

- RGB** The most commonly used frame type, in the base intended for collapse in concrete wall - also available with bolt holes and bolts for surface mounting
- RGBO** As RGB, but with removable end part (if cables already present)
- RGG** Window for lightweight walls. Consists of an RGB window with bolt holes and a metal counterframe
- RGGOK** Developed for existing situations, similar to the RGBO but extra deep



RGB



RGG



RGGOK

RGGOK

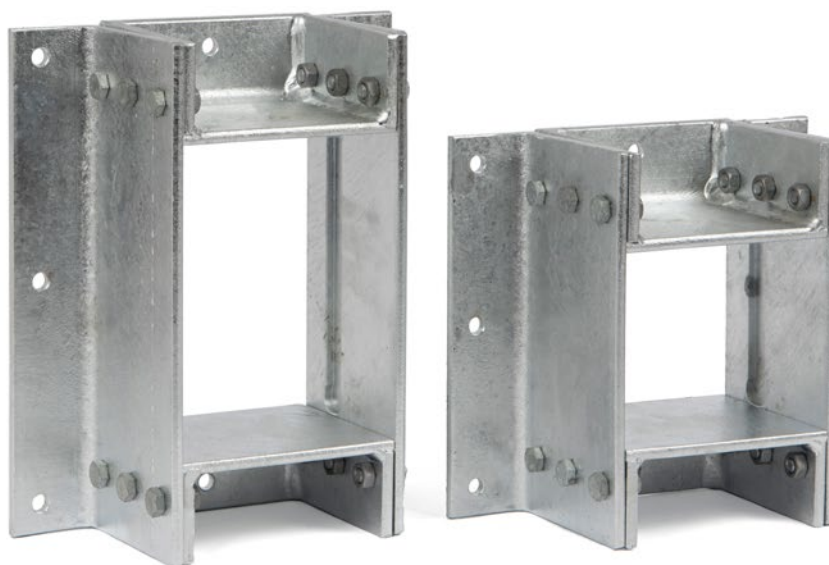
Based on practical experience in the Dutch market, MCT Brattberg developed the frame RGGOK. This new, modular window has been developed for existing situations where customization is required. The frame is similar to the RGBO, but because of the extra depth stayplates and end seals can be easily placed. Thanks to the notches in the frame, the seal is completely in the RGGOK and it is not necessary to cut a piece of the wall away. Irrespective of the existing situation and the existing cables, in most cases, the transit point can be made permanently watertight with the help of the RGGOK.



Applications

The RGGOK frame is intended for use in existing situations. In essence, it is a frame that has to seal the existing through hole in a wall or floor. Often in existing situations there are cables that can not or can not be removed, while at the same time there is a transit point that is insufficiently watertight or fire retardant.

Sometimes there is also the need to attach a few cables. In all cases it must be determined with what size RGGOK window the throughput space can be completely sealed, while at the same time the cable numbers, diameters and positions have to be mapped. On the basis of that inventory, the correct type of frame can be determined. Our sales advisors are happy to view the situation on site, if necessary, to be able to give good advice.



Internal sizes

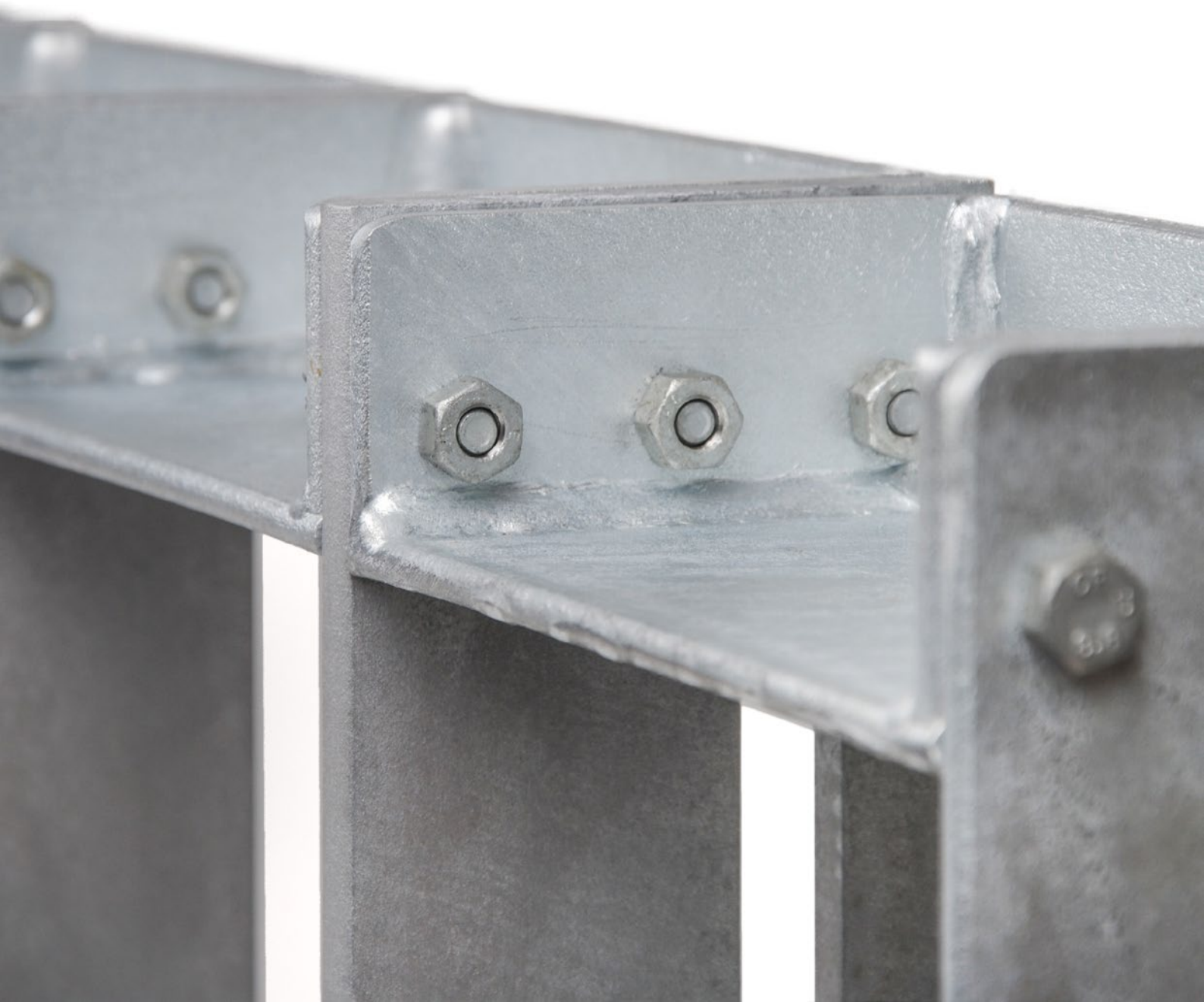
The RGGOK frame has the same internal width as the standard RGB windows (120mm) and is also available in four height units: from 100mm in steps of 60mm up to 280mm internal height. In addition, there are multiple windows, allowing expansion in the horizontal direction.

Extra large

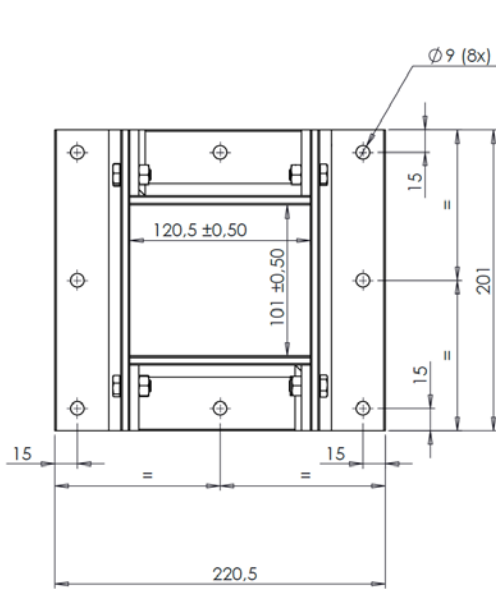
For large pipes and ducts, extra wide versions of the RGGOK are also available, the RGGOK180, RGGOK240 and RGGOK360. These come with an internal width of 180, 240 and 360mm.

Options

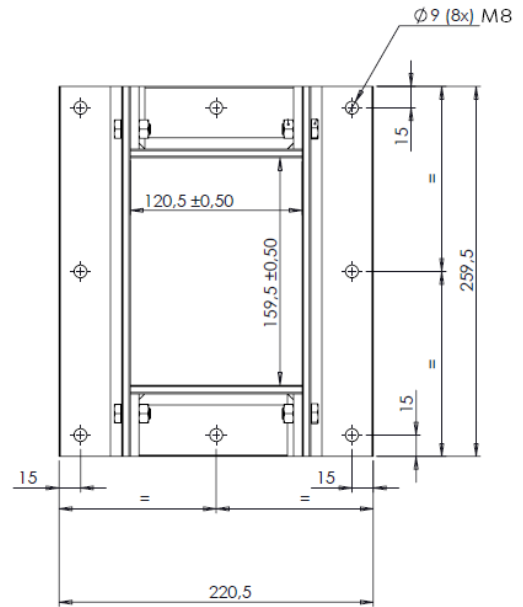
The RGGOK is supplied as standard in galvanized steel, but it is also possible to order the frames in stainless steel. It comes standard with bolt holes (M8). If required, a customized hole pattern can be supplied. The required liquid packing is also available at TTTBV.



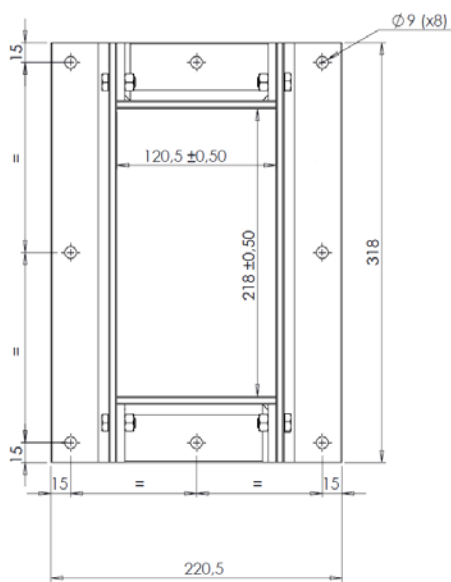
Dimensions



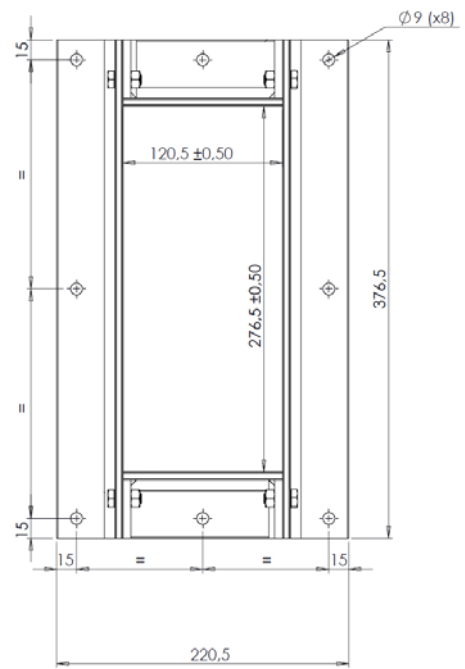
RGGOK2



RGGOK4



RGGOK6



RGGOK8

ACCESSOIRES

Accessoires

MCT Brattberg has designed a number of accessories to make filling and opening the frames easier:



PACKING TOOL

- Makes installation easier
- Keep cables and blocks in place during installation
- Ideal for use before the frame is completed with endpacking

QUICK RELEASE SPANNER

- Faster and easier installation by quick release function
- Compact 24mm grip improves access of compression bolt
- Easy to use



BLOCK SELECTOR

- Easy re-entry into system
- Ideal for use together with quick release spanner
- Smoother disassembly of end packer without unnecessary damages

ACCESSOIRES



CABLE SEPARATOR

- To aid installation of insert blocks by keeping away the interference of cables
- Divides cables in different rows
- Easy to use

SPACER TOOL

- Simplifies insertion of last row of blocks between two stay plates
- Saves time by smoother installation
- Easy to use



BLOCK SELECTOR

- Helps you to choose the right insert block.
- For measuring of cables from 4 to 48 mm in diam.
- Easy to use and easy to carry.

LUBRICANT

- Simplifies insertion of blocks
- Saves time by smoother installation
- Ensures a watertight seal



