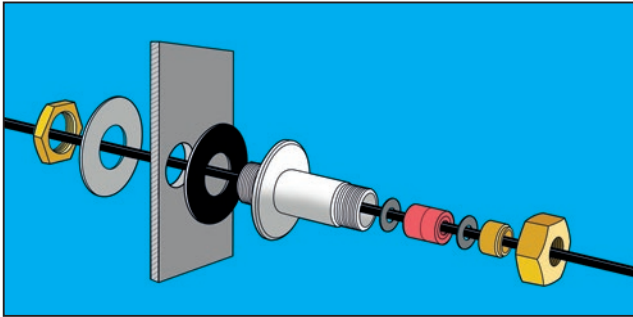
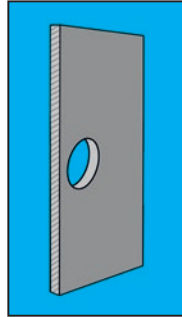


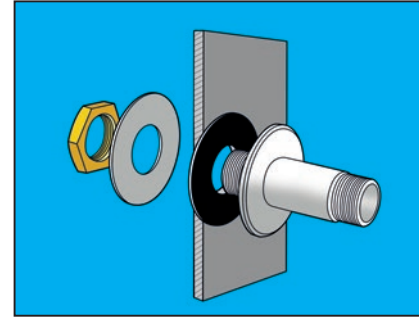
Deck and bulkhead Installation Guide



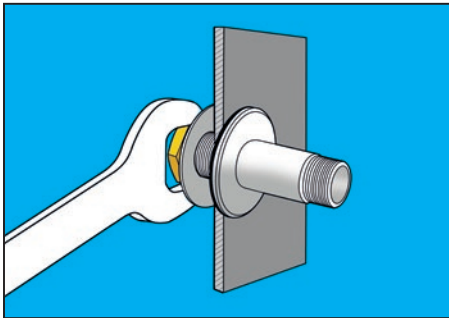
Standard Gland parts.



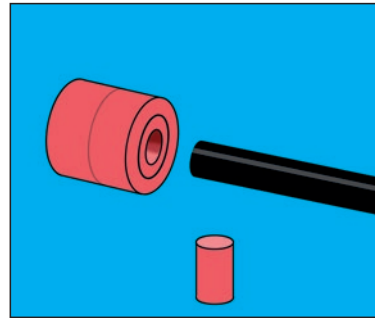
1 Clearance hole
= Thread diameter
+ 2 mm max.



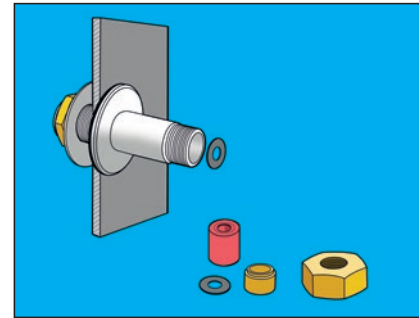
2 Fit the gasket and washer.



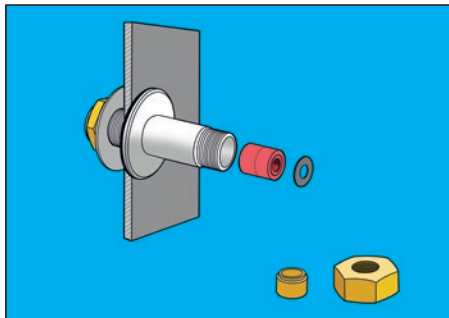
3 Tighten the lock nut.



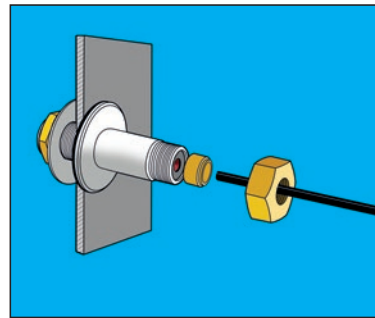
4 Remove the minimum number of rings to allow cable to pass through the seal.



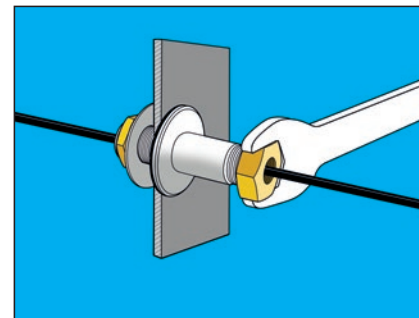
5 Size the first washers to cable and insert it if required.



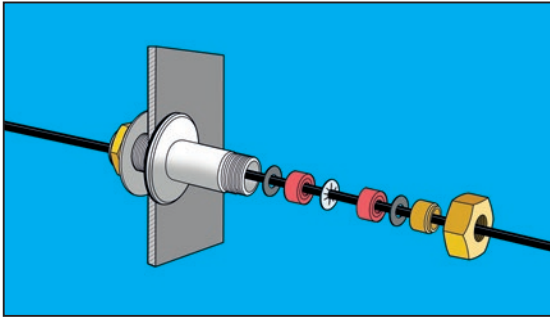
6 Push seal into place.



7 Size the second washer to the cable and insert it to the cable if required

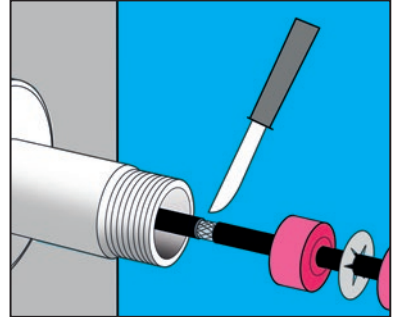


8 Push cable through assembled gland and tighten nut.

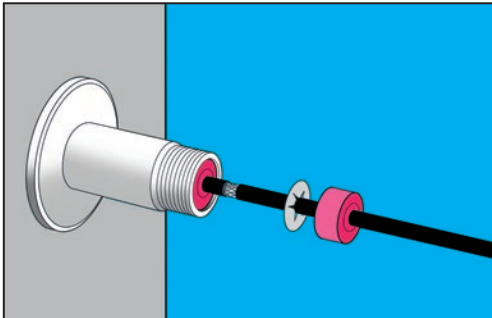


EMC Conversion parts.

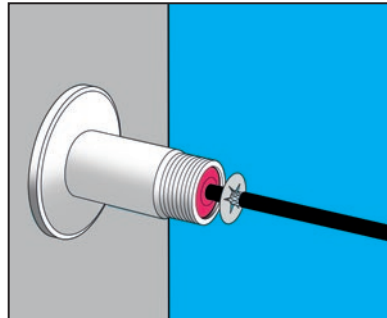
See figure 1-3 on the left page and then continue on this page, figure 2-11.



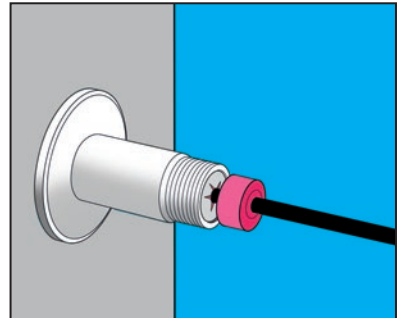
4 Pull cable through gland and carefully trim 5 mm of outer sheath.



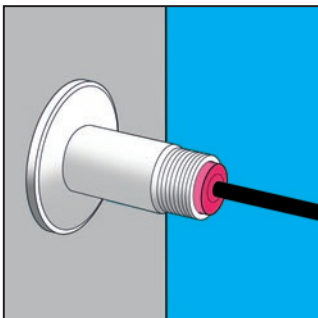
5 Push first piece of seal into place.



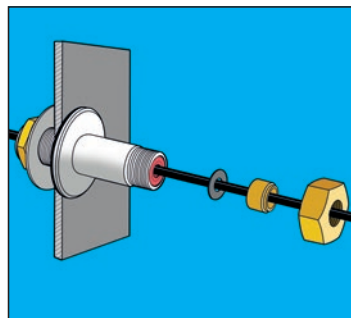
6 Slide EMC piece over cable until contacts with cable braid.



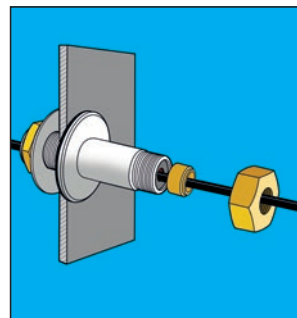
7 Slice 2nd piece of seal over cable.



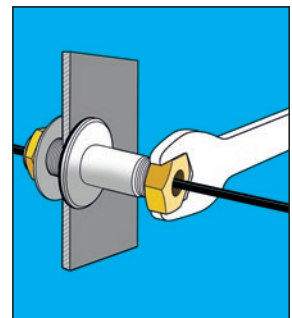
8 Carefully push complete seal and cable back into gland maintaining EMC contact.



9 Carefully push complete seal and cable back into gland maintaining EMC contact.



10 Size the second washer to the cable and insert it to the gland if required



11 Push cable through assembled gland and tighten nut.