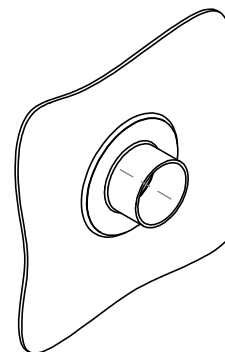
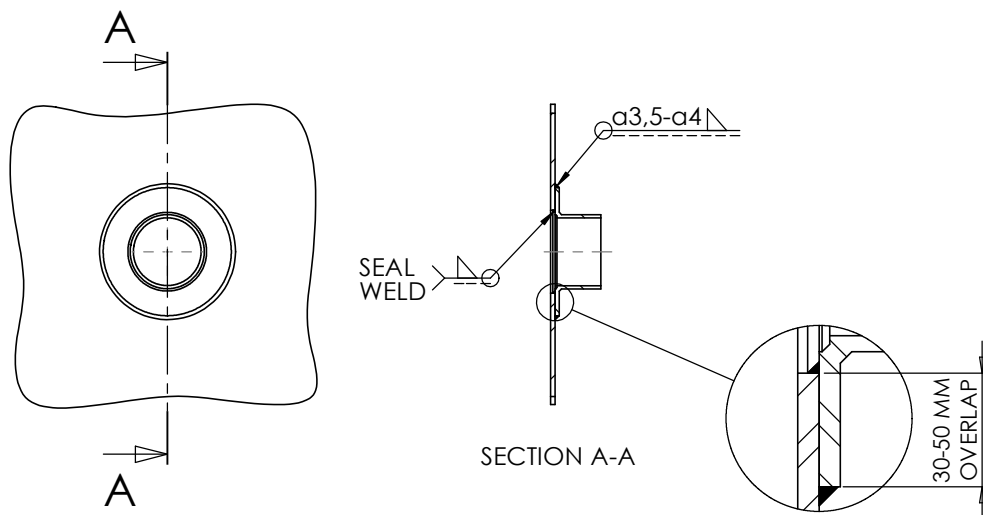


THIS DOCUMENT MUST NOT BE COPIED WITHOUT OUR WRITTEN PERMISSION, AND THE CONTENTS THEREOF MUST NOT BE IMPARTED TO A THIRD PARTY NOR BE USED FOR ANY UNAUTHORIZED PURPOSE. CONTRAVENTION WILL BE PROSECUTED.

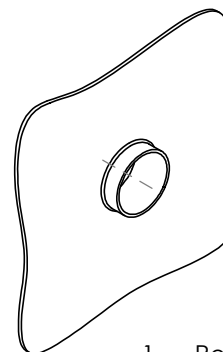
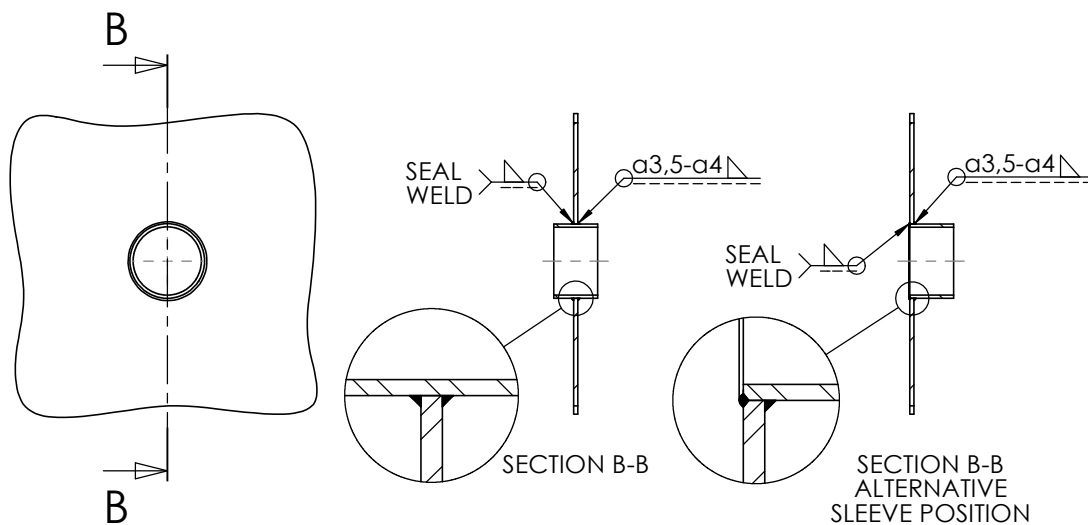
TYPE SFR SLEEVES

REVISIONS			
REV.	DESCRIPTION	DATE	SIGNATURE
A		2020-05-18	JA




1. Center and position the SFR flange flat to the plate.
2. Tack weld on the front side of the SFR in four places or every 100 mm around the periphery.
3. Continue welding around the front side of the SFR.
4. Complete by seal welding around the rear side of the SFR.

TYPE S SLEEVES



1. Position the S-type sleeve into the plate, maximum allowed root gap is 2 mm.
2. Tack weld in four places or every 100 mm around the sleeve.
3. Weld around the front side of the sleeve.
4. Complete by seal welding around the rear side of the sleeve

Ritad Drawn	Kontr. Check	Granskad Reviewed	Godkänd Approved	Tolerans där ej annat anges Tolerance unless otherwise not stated.	Smsf. nr. Assembly drawing no.	Ersätter Replaces	E
JA	JA	JF	BJ	Ytjämnhet där ej annat anges. Surface finish otherwise not stated.	Material	Ersatt av Replaced of	Vikt Weight
200518	200518	200518	200518			Alla mått och uppgifter avser färdig produkt om ej annat anges All measures and other information refer to finished products unless otherwise not stated.	
						Kund ordernr. Customer order no.	
						Ritn. nr. Draw. no.	Rev.
						1200188	A

INSTALLATION DRAWING
FOR WELDED SLEEVES