

SeaTelecom (STC) is the solution to the demand for affordable onboard communication for ships. Thanks to the simple, yet well-considered concept of the systems, well-functioning communication equipment can be delivered to seagoing vessels at a very competitive price level.

- Excellent price-quality ratio (both telephone and PA)
- STC meets the onboard demands
- 72 analogue lines connected in standard system
- Peripheral equipment ready for delivery within 24h

STC-BUZ

PART OF STC-PUBLIC ADDRESS

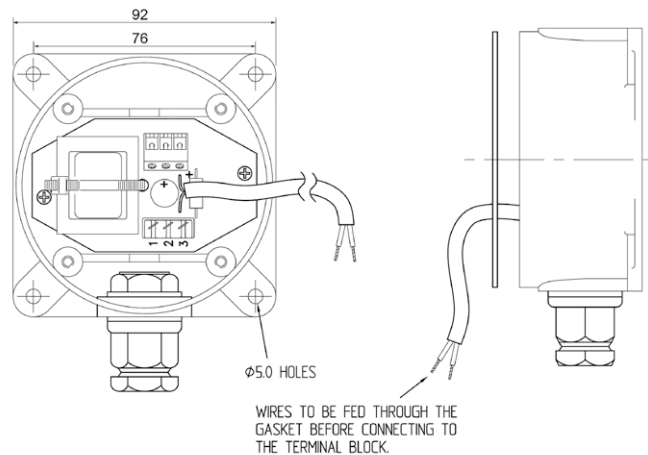


Description:

- Line powered, high output alarm unit
- To be used in high ambient noise level areas
- Powered by the PABX line voltage

Technical data:

• Input voltage	60-100VAC
• Output SPL	85-105dBA nominal at 1mtr.
• Volume control	Variable potentiometer
• Frequency	120Hz modulated buzz
• Waterproofing	IP66 as standard
• Color	Yellow case with black base
• Connection	Station or line have to be connected to terminals marked 2 and 3



MADE FOR MARINE ENVIRONMENT