

3006090578

## **MBOKS-G**

VSP Batteryless Telephone System

---



---

On-wall box with rubber gasket designed for stations in VSP systems

### **DESCRIPTION**

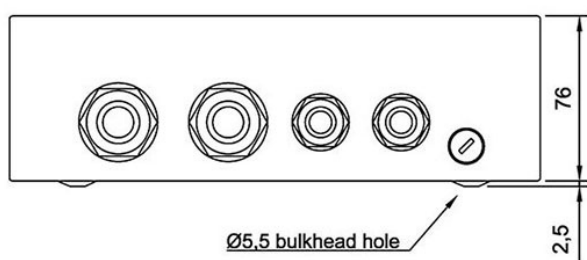
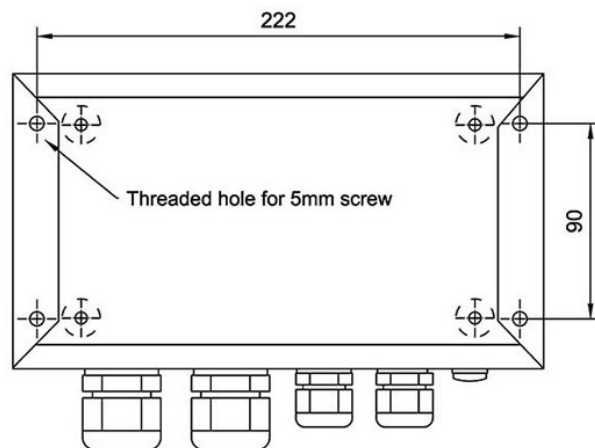
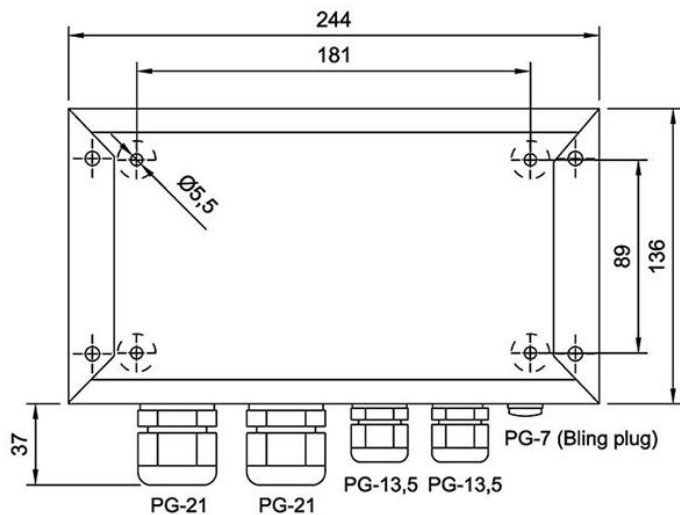
The new and improved on wall box with rubber gasket designed for use with VSP stations to offer IP-44 rating.



## GENERAL

Color	Black
Material	Epoxy covered metal
Dimensions (WXHXD)	244 x 136 x 76 mm
Weight	1.0 kg
Mounting hole	Ø 5.5 mm
IP-rating	IP-44 (Together with VSP telephone)

## TECHNICAL DIMENSIONS



## USED WITH



1020600931

**VSP-211-L**

Main Station - Batteryless Telephone System - 12-Way



1020600935

**VSP-213-L**

Main Station - Batteryless Telephone System - 12-Way

1020600943

**VSP-223-L**



**3006200025**

**VSP-211M-L**

Main Station - Batteryless Telephone System 20-Way



**3006200028**

**VSP-212M-L**

Main Station Panel Mounted with Relay 20-Way



**3006200029**

**VSP-213M-L**

Main Station - Batteryless Telephone System - 20-Way

