

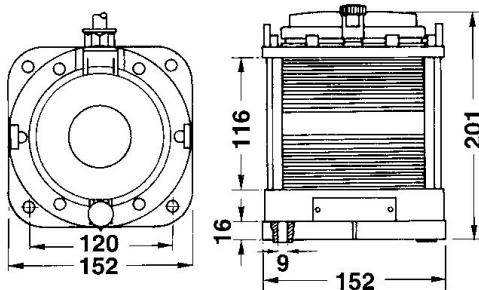
AQUA SIGNAL NAVIGATION LIGHTING



SERIES 55

NAVIGATION LIGHTS SERIES 55

Application	For vessels > 20 - < 50m For inland waterways without limitation of ship's length
Protection degree	IP56
Housing	Polycarbonate, glass fibre reinforced, other components of non-corrosive materials. Non magnetic, seawater resistant, housing colour black
Cable insert	PG13,5 with buckling protection
Lamp base	BAY 15d
Light source (not incl.)	Incandescent lamp 12V/24V - 25W BAY 15d
Mounting	Base flange attachment, 4 screws diameter 8mm (not included). All lights may also be hoisted



PART NO.

3535110000	Starboard, 2 nm
3534210000	Port, 2 nm
3532010000	Masthead, 5 nm
3533710000	Stern, 2 nm
3533410000	Stern yellow, 2 nm
3531710000	All round white/anchor/RIM, 2 nm
3531210000	All round red/NUC, 2 nm
3531110000	All round green, 2 nm

Bulb (not included):

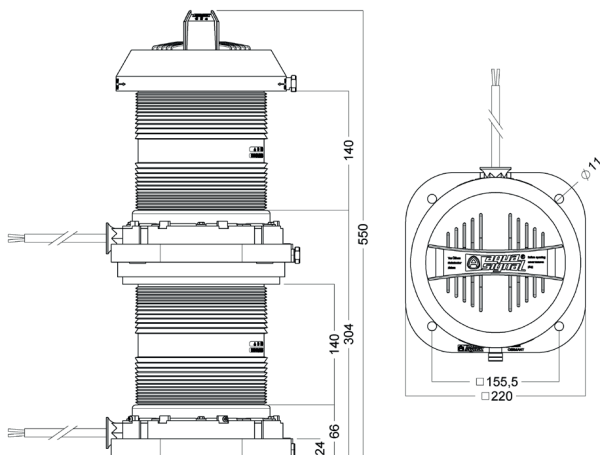
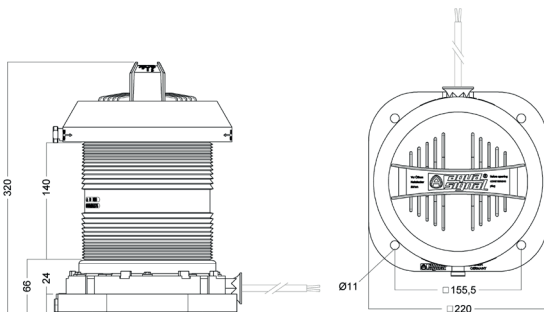
LAMP12V-25W incandescent lamp 12V 25W BAY 15d

LAMP24V-25W incandescent lamp 24V 25W BAY 15d

SERIES 70-70M

NAVIGATION LIGHTS SERIES 70/70M

Application	For vessels $\geq 20m$ For inland waterways without limitation of ship's length
Protection degree	IP56
Housing	Polycarbonate, glass fibre reinforced, other components of non-corrosive materials. Non magnetic, seawater resistant, housing colour black
Electric	Main lighting (upper unit) and spare lighting (lower unit) each come with 1,5m special connection cable 2 x 1.5mm ²
Cable insert	2 special cable glands M20 x 1.5 with buckling protection
Lamp base	P28s
Light source (not incl.)	incandescent lamp , see below Easy to change
Mounting	Base flange attachment, 4 screws diameter 10mm (not included). All lights may also be hoisted



SERIES 70-70M

PART NO.

Series 70 simplex:

3073100000	Starboard, 3 nm
3074200000	Port, 3 nm
3071000000	Masthead, 6 nm
3072700000	Stern, 3 nm
3072440000	Stern yellow, 3 nm
3072200000	Suez stern red, 3 nm
3070701000	All round white/anchor/RIM, 3 nm
3070200000	All round red/NUC, 3 nm
3070100000	All round green, 3 nm
3070440000	All round yellow, 3 nm
3070000000	Morse manoeuvre light, 5 nm

Series 70M duplex:

3583100000	Starboard, 3 nm
3584200000	Port, 3 nm
3581000000	Masthead, 6 nm
3582700000	Stern, 3 nm
3582400000	Stern yellow, 3 nm
3580700000	All round white/anchor/RIM, 3 nm
3580200000	All round red/NUC, 3 nm
3580100000	All round green, 3 nm
3580440000	All round yellow, 3 nm
3580300000	Passing light green/red, 3 nm
3580310000	Passing light red/green, 3 nm

Bulb (not included):

LAMP24V-40W	Incandescent lamp 24V 40W P28s
LAMP110V-60W	Incandescent lamp 110V 60W P28s
LAMP230V-65W	Incandescent lamp 230V 65W P28s

Can be ordered separately



SERIES 60-61

NAVIGATION LIGHTS SERIES 60/61

Application	Series 60: vessels from 20 to 50 m Series 61: vessels >50 m
Protection degree	IP66/IP67
Housing	Polycarbonate housing and housing cover. Borosilicate glass. Top: Seawater resistant aluminium Stainless screws and nuts (Hex M6)
Light source	High power LED with integrated countdown system
Mounting	Cable gland M25 x 1.5 Polyamide, for outer cable \varnothing 9,00-17,00 mm Up to 400 m cable run

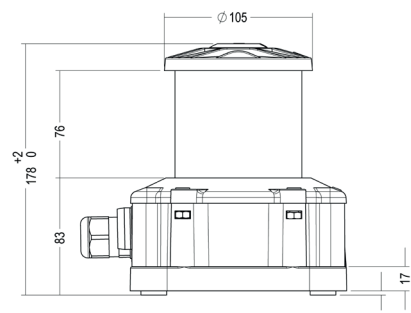
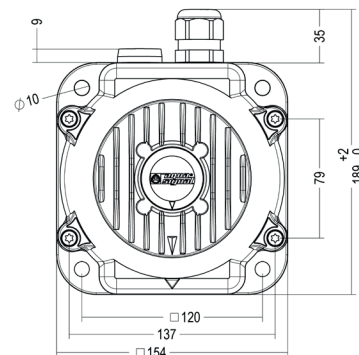


PART NO.

366920X000	S60 Port, 2nm
366810X000	S60 Starboard, 2nm
366600X000	S60 Masthead, 5nm
366770X000	S60 Stern white, 2nm
366740X000	S60 Stern yellow, 2nm
366570X000	S60 Signal white, 2nm
366510X000	S60 Signal green, 2nm
366520X000	S60 Signal red, 2nm
366570X003	S60 Signal white (2x180°), 2nm
366510X003	S60 Signal green (2x180°), 2nm
366520X003	S60 Signal red (2x180°), 2nm

367420X000	S61 Port, 3nm
367310X000	S61 Starboard, 3nm
367100X000	S61 Masthead, 6nm
367270X000	S61 Stern white, 3nm
367240X000	S61 Stern yellow, 3nm
367070X000	S61 Signal white, 3nm
367010X000	S61 Signal green, 3nm
367020X000	S61 Signal red, 3nm
367070X003	S61 Signal white (2x180°), 3nm
367010X003	S61 Signal green (2x180°), 3nm
367020X003	S61 Signal red (2x180°), 3nm

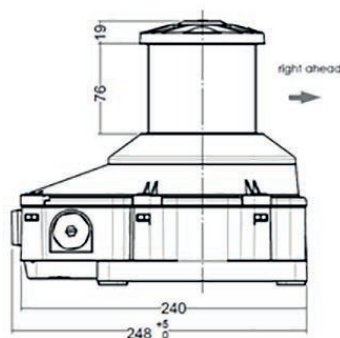
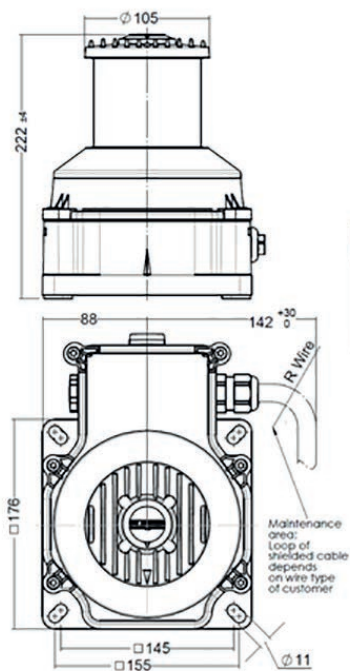
X = 3 : 24VDC (1,7kg)
X = 5 : 115-230VAC (2kg)



SERIES 75

NAVIGATION LIGHTS SERIES 75

Application	For vessels $\geq 20\text{m}$. For inland waterways without limitation of ship's length
Protection degree	IP66/67
Housing	Polycarbonate, Borosilicate glass
Dimensions	248 x 187 x 222 mm (LxWxH)
Light source	High power LED with integrated countdown system. Upper section main system, lower section backup system
Lifetime	2 x 100.000 hours at Ta 45°C (main and spare)
Mounting	4 hole mounting with connection box
Options	<ul style="list-style-type: none"> - Same dimensions as Series 65/70/70M (base) - Artic version (-40°) incl. de-icing function - Upside down versions available - Hoistable versions available



Single



Double

SERIES 75

SERIES 75

		75 SINGLE		75D DOUBLE		
MAIN SYSTEM	VISIBILITY	115 / 230VAC	24VDC	115 / 230VAC	115 / 230VAC	24VDC
RESERVE SYSTEM				115 / 230VAC	24VDC	24VDC
PORT	3 NM	3684205000	3684203000	3679205000	3679206000	3679203000
STARBOARD	3 NM	3683105000	3683103000	3678105000	3678106000	3678103000
MASTHEAD	6 NM	3681005000	3681003000	3676005000	3676006000	3676003000
STERN WHITE	3 NM	3682705000	3682703000	3677705000	3677706000	3677703000
STERN YELLOW	3 NM	3682405000	3682403000	3677405000	3677406000	3677403000
ALL-ROUND WHITE	3 NM	3680705000	3680703000	3675705000	3675706000	3675703000
ALL-ROUND GREEN	3 NM	3680105000	3680103000	3675105000	3675106000	3675103000
ALL-ROUND RED	3 NM	3680205000	3680203000	3675205000	3675206000	3675203000
ALL-ROUND YELLOW	3 NM	3680405000	3680403000	3675405000	3675406000	3675403000
ALL-ROUND WHITE (2X180°)	3 NM	3680705003	3680703003	3675705003	3675706003	3675703003
ALL-ROUND GREEN (2X180°)	3 NM	3680105003	3680103003	3675105003	3675106003	3675103003
ALL-ROUND RED (2X180°)	3 NM	3680205003	3680203003	3675205003	3675206003	3675203003

SERIES 75 ARCTIC

		75 SINGLE		75D DOUBLE		
Main system	VISIBILITY	115 / 230VAC	24VDC	115 / 230VAC	115 / 230VAC	24VDC
Backup system				115 / 230VAC	24VDC	24VDC
PORT	3 NM	3684255000	3684253000	3679255000	3679256000	3679253000
STARBOARD	3 NM	3683155000	3683153000	3678155000	3678156000	3678153000
MASTHEAD	6 NM	3681055000	3681053000	3676055000	3676056000	3676053000
STERN WHITE	3 NM	3682755000	3682753000	3677755000	3677756000	3677753000
STERN YELLOW	3 NM	3682455000	3682453000	3677455000	3677456000	3677453000
ALL-ROUND WHITE	3 NM	3680755000	3680753000	3675755000	3675756000	3675753000
ALL-ROUND GREEN	3 NM	3680155000	3680153000	3675155000	3675156000	3675153000
ALL-ROUND RED	3 NM	3680255000	3680253000	3675255000	3675256000	3675253000
ALL-ROUND YELLOW	3 NM	3680455000	3680453000	3675455000	3675456000	3675453000
ALL-ROUND WHITE (2X180°)	3 NM	3680755003	3680753003	3675755003	3675756003	3675753003
ALL-ROUND GREEN (2X180°)	3 NM	3680155003	3680153003	3675155003	3675156003	3675153003
ALL-ROUND RED (2X180°)	3 NM	3680255003	3680253003	3675255003	3675256003	3675253003



NL95 CONTROL PANELS

NL95 is used to control the operation of navigation and signaling lights onboard ships.

The solution is easy to install “plug and play”, easy to use and can control a number of navigation and signal lights. It has short delivery from our factory and the configuration can be done onboard the ship after installation. The NL95 system is pre-configured and delivered with a standard setup. The system fulfils all requirements for a complete navigation light installation for all ships, meeting all relevant standards and resolutions.

The complete unit contains of a main display with touch panel for flush mounting, input modules for lanterns connection and power supply unit for mounting inside of bridge console. NL95 is Bureau Veritas, CRS, and DNV-GL certified.

Communications between modules

RS485, ITNL addresses configured via dip switch

Lights' configuration and condition

Presented on 7" TFT touch display

Lights' switch on/off mode

Using groups for switch on, touching light's icon for toggle between on and off, and switch off all using “ALL OFF” button

Electric

230 VAC, 115 VAC or 24 VDC , depending on version connection, main and emergency power supply with automatic change-over, automatic supply change-over signalling.

Approvals

DNV-GL, BV and CRS