



Competence in lighting

Lights for sailing and motor boats



Competence in lighting

Lights for sailing and motor boats

The products shown in this catalogue are particularly suitable for use in the following segments:



Aqua Signal has been delivering top-of-the-line marine lighting solutions since before the age of electricity, providing lighting products designed and manufactured to meet all relevant standards for quality and performance at sea.

Aqua Signal was established in Bremen in 1868. The company manufactured navigation lights and lanterns fuelled by kerosene and petroleum. By the end of the 19th century the company had become a leader in the development of electric lighting for ships. Today, Aqua Signal is a brand known around the world, offering a complete range of interior and exterior lighting, including navigations lights, watertight luminaires and other specialized lighting products for marine applications. Aqua Signal products are robust, of superior quality, and can be tailor-made for particular projects.

Quality and expertise

Our products and solutions are developed and tested by our engineers at our own research and testing facilities, and manufactured and certified in accordance with all relevant quality and environmental standards. They are based on the latest technology and expertise – and generations of experience.

Global lighting solutions

Generations of experience

The Glamox Group is the leading supplier of lighting solutions to the industrial, marine and offshore markets. We are a local partner – with global network. Through our five brands; aqua signal, Glamox, Høvik lys, Luxo and Norselight we fulfill all your requirements, from floodlights and searchlights, through explosion proof luminaires and interior systems to navigation lighting. Our team of engineers has been carefully chosen to give the right blend of experience and creativity. The company develops high quality products and energy efficient systems for extreme applications. All based on innovative technology. Our solutions demand more than today's expertise – it demands generations of experience.



We have done our utmost to make sure that illustrations and technical specifications are correct at the date of publication.
We reserve the right to make technical changes or adjustments involving products and/or production processes without further notice. Glamox disclaims responsibility for any misprints and any consequences such errors might lead to the users of this catalogue.
Glamox® and aqua signal® are internationally registered and copyright protected trademarks.

Table of contents



Navigation Lights 5



Interior Lights..... 89



Special Lights..... 57



Accessories / Bulbs 101



Exterior Lights..... 65



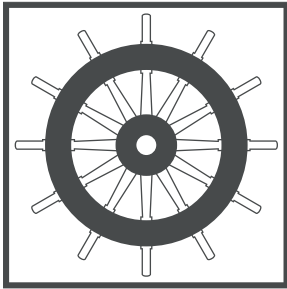
Information 109



Underwater Lights 85

Navigation Lights

Good to know



The Steering Wheel

☉ The Steering Wheel Mark placed on our products identifies the navigation lights as fully compliant with the European harmonized standards EN14744 and EN60945. Only notified bodies, such as the BSH or the GL, can issue such a marking, based on a specific type approval / certification process.

☉ The Steering Wheel Mark is mandatory for commercial shipping and it is also valid for recreational (private) vessels. Thus, it substitutes former national approvals like BSH, RINA; MCA and SOLAS. Please refer to this article on www.bsh.de (German notified body):



<http://www.bsh.de/de/Schifffahrt/Sportschifffahrt/Navigationenlichter/index.jsp>

☉ The Steering Wheel Mark is either printed on the labeling or it is laser-engraved on the navigation light's housing.

Product life according to EN 14744:

During operating life any LED changes its behavior due to thermal degradation, that is changes in color and light intensity (range of visibility), which may remain undetected by the human eye vision. EN 14744 takes care of these degradation effects and thus demands technical degradation control.

Our LED navigation light already includes a sophisticated electronic control mechanism which permanently monitors the actual life time of the LED light source. If service life time falls below 75%, the light will indicate this by flashing:

The following applies after switching on the light:

- 1 x flashing = 75% remaining service life
- 2 x flashing = 50% remaining service life
- 3 x flashing = 25% remaining service life
- 4 x flashing = End of the life expectancy, the light switched off immediately































If the navigation light operates at +25°C, for example, a service life of max.30,000 hours is to be expected.

The service mode should apply only after several thousands of operational hours and is not achieved at recreational boats, even with regular night sailing!

Note: LED light bulbs will VOID CERTIFICATION if used in navigation lights for incandescent bulbs! This is due to poor light technical quality (color, range of visibility, sectors) and the lack of a certified degradation control.



Navigation Lights

					
Series 20 Side-mount Page 6 - 7	Series 20 Deck-mount Page 7	Series 20 Pedestal Page 8	Series 20 Fold-down Page 8	Series 20 Plug-in Page 9	Series 25 Std Side-mount Page 12 - 13
					
Series 25 Std Deck-mount Page 13	Series 25 Cl Side-mount Page 14 - 15	Series 25 Cl Mast Page 15	Series 27 Bi-Color Kit Page 16	Series 27 All-round Kit Page 17	Series 30 Pedestal Page 18
					
Series 30 Fold-down Page 19	Series 30 Plug-in Page 20	Series 34 Deck-mount / Step Page 24	Series 34 Deck-mount Page 24 - 26	Series 34 Anchor Page 26	Series 40 Side-mount Page 30 - 31
					
Series 40 Deck-mount Page 32	Series 40 Hoistable Page 32	Series 40 Deck-mount Page 33	Series 40 Deck-mount Page 36 - 38	Series 41 Side-mount Page 40 - 41	Series 41 Mast-mount Page 43
					
Series 43 Mast-mount Page 44 - 45	Series 44 Side-mount Page 46 - 47	Series 50 Side-mount Page 48	Series 50 Deck-mount Page 49	Series 50 Hoistable Page 50	Series 55 Deck-mount Page 52 - 53

Series 20.....	6 - 9
Series 25 Standard	12 - 13
Series 25 Classic	14 - 15
Series 27.....	16 - 17
Series 30.....	18 - 20
Series 34.....	22 - 28
Series 40.....	30 - 39
Series 41	40 - 43
Series 43/44	44 - 47
Series 50.....	48 - 51
Series 55.....	52 - 53

Navigation Lights

Series 20

Specially designed for motor boats



Application

Application depending on required visibilities and vessel size. See table in chapter Information.

Housing

Black or white polycarbonate, seawater resistant, non-corrosive and non-magnetic, impact and shock resistant

Optics

Lens: Fresnel, range of visibility 2 nm (starboard, port and bicolor 1 nm). Material: polycarbonate, impact and shock resistant

Protection degree

IP45

Mounting

Side-mount or deck-mount

Light source

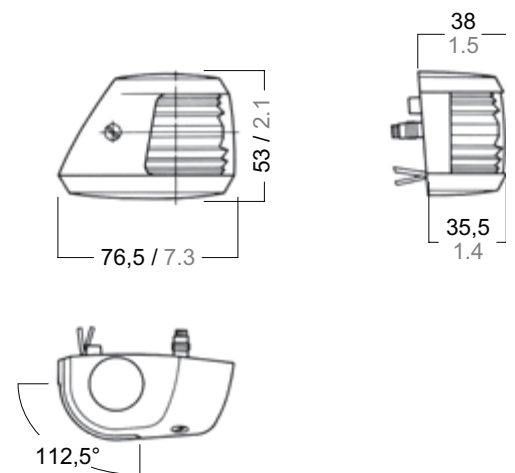
Mini valve bulb 12 V, 5 W included

Remark

Certification Applicability
Aqua Signal navigation lights are certified as a complete assembly including the original equipment bulb. Use only certified OEM replacement bulbs to maintain ongoing certification.

Side-mount

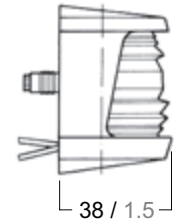
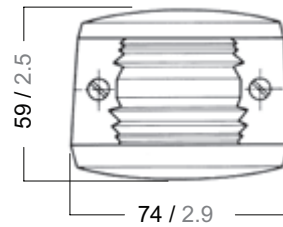
Starboard / Port



Dimensions in: mm / inch

	Description	Vessel size	Wattage	Visibility	Mounting	Voltage	Housing colour	Art. no.
	Starboard	< 12 m / < 39 ft.	5 W	1 nm	Side-mount	12 V	Black	3571001000
							White	3571301000
	Port	< 12 m / < 39 ft.	5 W	1 nm	Side-mount	12 V	Black	3572001000
							White	3572301000

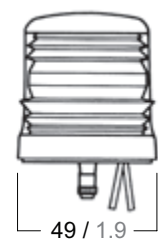
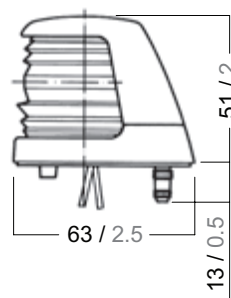
Side-mount Stern



Dimensions in: mm / inch

Description	Vessel size	Wattage	Visibility	Mounting	Voltage	Housing colour	Art. no.
Stern	< 12 m / < 39 ft.	5 W	2 nm	Side-mount	12 V	Black	3573001000
						White	3573301000

Deck-mount Starboard / Port / Bicolor / Masthead



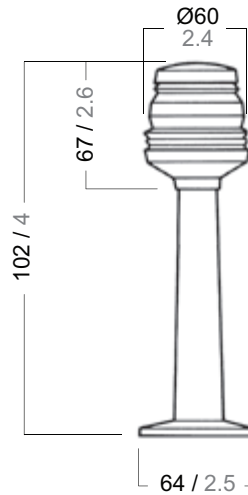
Dimensions in: mm / inch

Description	Vessel size	Wattage	Visibility	Mounting	Voltage	Housing colour	Art. no.
Starboard, deck-mount	< 12 m / < 39 ft.	5 W	1 nm	Deck-mount	12 V	Black	3575101000
Port, deck-mount	< 12 m / < 39 ft.	5 W	1 nm	Deck-mount	12 V	Black	3575201000
Bicolor	< 12 m / < 39 ft.	5 W	1 nm	Deck-mount	12 V	Black	3575001000
						White	3575301000
Masthead	< 12 m / < 39 ft.	5 W	2 nm	Deck-mount	12 V	Black	3574001000
						White	3574301000

Navigation Lights

Series 20

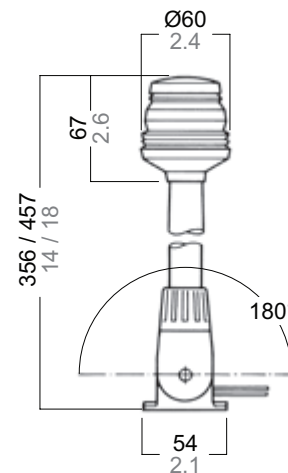
Pedestal



Dimensions in: mm / inch

	Description	Vessel size	Wattage	Visibility	Voltage	Housing colour	Art. no.
360°	All-round white, pedestal, 102 mm / 4 inch.	12 - < 50 m / 39 - < 164 ft.	5 W	2 nm	12 V	Black	3570030000
						White	3570330000

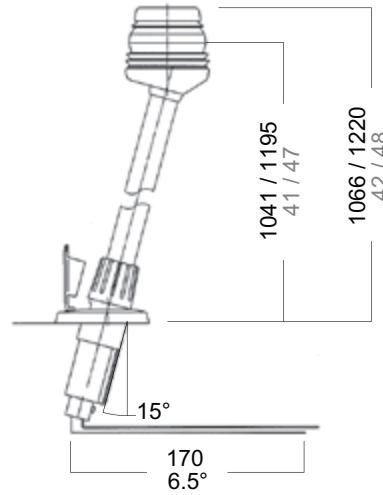
Fold-down



Dimensions in: mm / inch

	Description	Vessel size	Wattage	Visibility	Voltage	Housing colour	Art. no.
360°	All-round white, fold-down, 356 mm / 14 inch.	12 - < 50 m / 39 - < 164 ft.	5 W	2 nm	12 V	Black	3570001000
						White	3570301000
360°	All-round white, fold-down, 457 mm / 18 inch.	12 - < 50 m / 39 - < 164 ft.	5 W	2 nm	12 V	Black	3570002000
						White	3570302000
225°	Masthead, fold-down, 356 mm / 14 inch.	< 12 m / < 39 ft.	5 W	2 nm	12 V	Black	3574003000

Plug-in



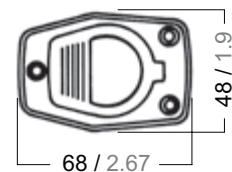
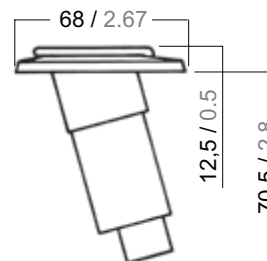
Dimensions in: mm / inch

	Description	Vessel size	Wattage	Visibility	Voltage	Housing colour	Art. no.
360°	All-round white, plug-in, 1066 mm / 42 inch.	12 - < 50 m /	5 W	2 nm	12 V	Black	3570010000
		39 - < 164 ft.				White	3570310000
360°	All-round white, plug-in, 1220 mm / 48 inch.	12 - < 50 m /	5 W	2 nm	12 V	White	3570311000
		39 - < 164 ft.					

Spare parts / Extras



White version



Dimensions in: mm / inch

Description	Housing colour	Art. no.
Plug-in base	Black	E-8357001600
Plug-in base	White	E-8357002400





Navigation Lights

Series 25 Standard

Robust navigation light with polycarbonate housing



Application

Application depending on required visibilities and vessel size. See table in chapter Information.

Housing

Polycarbonate, impact and shock resistant, non-corrosive, non-magnetic, seawater resistant

Optics

Lens: Fresnel, range of visibility 2 nm (starboard, port and bicolor 1 nm). Material: plastic, impact and shock-proof, seawater resistant

Protection degree

IP45

Mounting

Side-mount or deck-mount

Light source

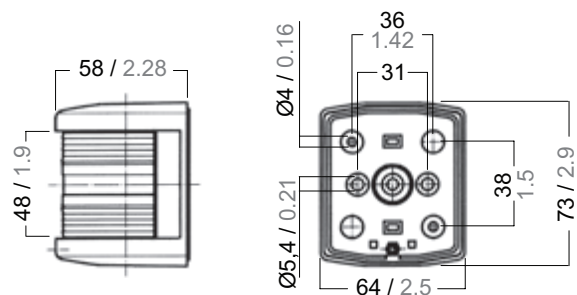
Festoon, 10 W included

Remark



Certification Applicability
Aqua Signal navigation lights are certified as a complete assembly including the original equipment bulb. Use only certified OEM replacement bulbs to maintain ongoing certification.

Side-mount

Starboard / Port

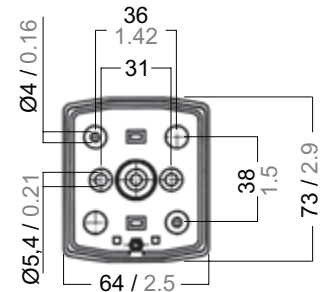
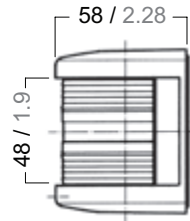


Dimensions in: mm / inch

	Description	Vessel size	Wattage	Visibility	Mounting	Voltage	Housing colour	Art. no.
	Starboard	< 12 m / < 39 ft.	10 W	1 nm	Side-mount	12 V	Black White	3519102000 3519112000
	Port	< 12 m / < 39 ft.	10 W	1 nm	Side-mount	12 V	Black White	3520202000 3520212000

Side-mount

Bicolor / Masthead / Stern

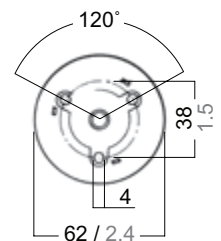
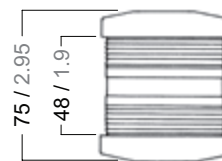


Dimensions in: mm / inch

	Description	Vessel size	Wattage	Visibility	Mounting	Voltage	Housing colour	Art. no.
	Bicolor	< 12 m / < 39 ft.	10 W	1 nm	Side-mount	12 V	Black	3518302000
							White	3518312000
	Masthead	< 12 m / < 39 ft.	10 W	2 nm	Side-mount	12 V	Black	3516002000
							White	3516012000
	Stern	< 50 m / < 164 ft.	10 W	2 nm	Side-mount	12 V	Black	3517702000
							White	3517712000

Deck-mount

All-round



Dimensions in: mm / inch

	Description	Vessel size	Wattage	Visibility	Mounting	Voltage	Housing colour	Art. no.
	All-round white	< 50 m / < 164 ft.	10 W	2 nm	Deck-mount	12 V	Black	3513012000
							White	3513096000
	All-round red	< 50 m / < 164 ft.	21 W	2 nm	Deck-mount	12 V	Black	3513222000
	All-round green	< 50 m / < 164 ft.	21 W	2 nm	Deck-mount	12 V	Black	3513122000

Navigation Lights

Series 25 Classic

Classic look with stainless steel components



Application

Application depending on required visibilities and vessel size. See table in chapter Information.

Housing

Polycarbonate black or white, impact and shock resistant, non-corrosive, non-magnetic, seawater resistant

Optics

Lens: Fresnel range of visibility 2 nm (starboard, port and bicolor 1 nm). Material: plastic, impact resistant and shock-proof, seawater resistant

Protection degree

IP45

Mounting

Side-mount

Light source

Festoon, 10 W included

Halogen BA 9s, 20 W (only foredeck light) included

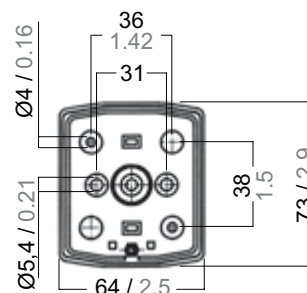
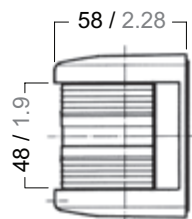
Remark

Certification Applicability


Aqua Signal navigation lights are certified as a complete assembly including the original equipment bulb. Use only certified OEM replacement bulbs to maintain ongoing certification.

Side-mount

Starboard / Port

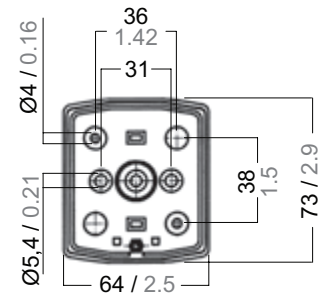
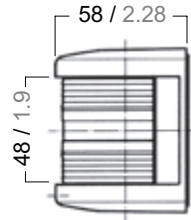


Dimensions in: mm / inch

	Description	Vessel size	Wattage	Visibility	Mounting	Voltage	Housing colour	Art. no.
	Starboard	< 12 m / < 39 ft.	10 W	1 nm	Side-mount	12 V	Black White	3511102000 3511195000
	Port	< 12 m / < 39 ft.	10 W	1 nm	Side-mount	12 V	Black White	3510202000 3510295000

Side-mount

Bicolor / Masthead / Stern

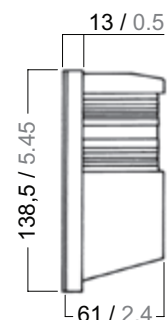
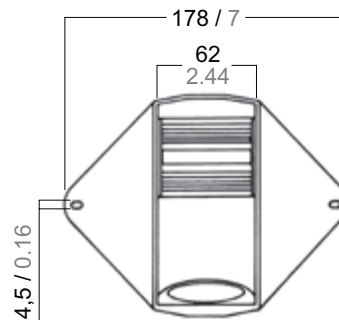


Dimensions in: mm / inch

	Description	Vessel size	Wattage	Visibility	Mounting	Voltage	Housing colour	Art. no.
	Bicolor	< 12 m / < 39 ft.	10 W	1 nm	Side-mount	12 V	Black	3512302000
							White	3512395000
	Masthead	< 12 m / < 39 ft.	10 W	2 nm	Side-mount	12 V	Black	3508002000
							White	3508095000
	Stern	< 50 m / < 164 ft.	10 W	2 nm	Side-mount	12 V	Black	3509002000
							White	3509095000

Mast

Masthead / foredeck combination



Dimensions in: mm / inch

	Description	Vessel size	Wattage	Visibility	Mounting	Voltage	Housing colour	Art. no.
	Masthead / foredeck combination	< 12 m / < 39 ft.	10 W (Masthead), 20 W (Foredeck)	2 nm	Mast only, side-mount	12 V	Black	3106012000

Navigation Lights

Series 27

Compact, portable battery LED navigation lights



Application

Series 27 is for safe navigating at night or in low light conditions. It provides all-around white LED or bi color LED light maximising visibility on the water. It is designed for small watercraft, dinghy, canoe, row boat, kayak, etc that are manually /engine powered and less than 7 m with speeds up to 7 knots. Series 27 is portable and battery powered.

Housing

Housing made from high quality plastic with seawater resistant rubber grip, buoyant.

Optics

Special plastic projector lens; all-round light can be conveniently used as flashlight or spot light.

Mounting

Different mounting options with special brackets, c-clamp, u-bracket, suction mount with flexible arm and glue pad for irregular surface. It is easy to remove for portable use or storage.

Electric

Requires 4 AAA batteries (not included)

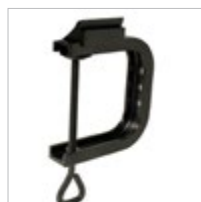
Light source

High quality long lasting LED included

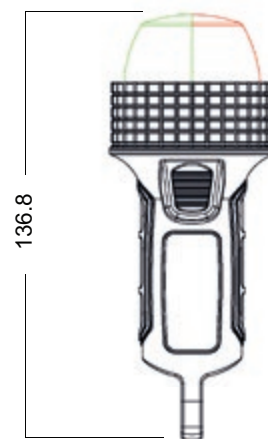
Bi-Color Kit



Suction cup, 169 mm



C-clamp, 69 mm



Dimensions in: mm

Description	Vessel size	Wattage	Mounting	Voltage	Housing colour	Art. no.
Bi-Color Kit Bi-Color light incl. suction cup with flexible arm, glue pad for irregular surface and C-Clamp	< 7 m / < 23 ft., max. 7 knots	1 W	Suction cup and C-Clamp.	4 x 1.5 AAA	Black	3727400700

All-round Kit



Suction cup, 169 mm



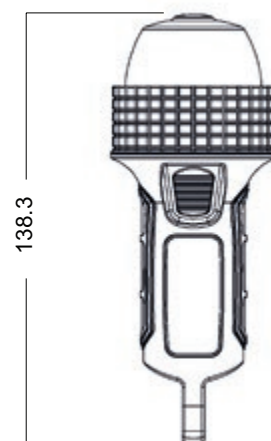
C-clamp, 69 mm



Pole, 634 mm,
Ø 16 mm



U-bracket (for Pole)



138.3

Dimensions in: mm

Description	Vessel size	Wattage	Mounting	Voltage	Housing colour	Art. no.
All-round Kit All-round light incl. suction cup with flexible arm, glue pad for irregular surface, C-Clamp and 634 mm pole with U-Bracket	< 7 m / < 23 ft., max. 7 knots	1 W	Suction cup, C-Clamp and pole with U-Bracket	4 x 1.5 AAA	Black	3727440700

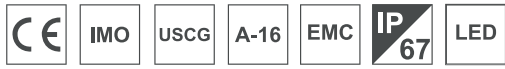
Spare Parts / Extras

Description	Wattage	Housing colour	Art. no.
A: Lens white all around incl. LED	1 W		3727245100
B: Lens Bicolor incl. LED	1 W		3727105100
Housing to fit A or B		Black	3727150100
Suction with flex pole			3727311100
Pole assembly 634 mm			3727313100
C-Clamp			3727305100
U-Bracket			3727316100
Thumb screw & slide on			3727314100

Navigation Lights

Series 30

LED All Round Navigation Lights

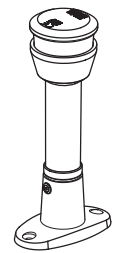
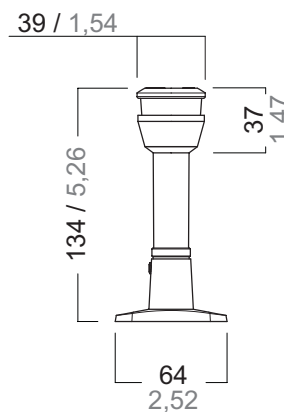


Aqua Signal has expanded its offering of LED All Round Navigation Lights. Series 30 LED is specially engineered and designed for power and sailboats up to 39' (12 m) and have USCG, A-16 Certification.



Pedestal

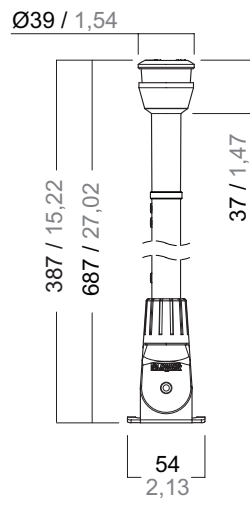
- Mounting** Options for rugged polyester glass fiber pole assembly or standard aluminum pole assembly
- Optic** Polycarbonate
- Housing** LED housing is made from polycarbonate that is seawater resistant, non-corrosive, non-magnetic, and impact and shock resistant. IP67 water protection degree.
- Electric** 12V DC, With 2-wire cable, EMC tested and interference-free electronics, LED included.



Dimensions in: mm / inch

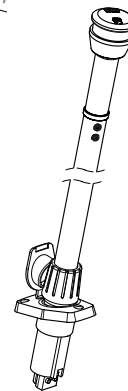
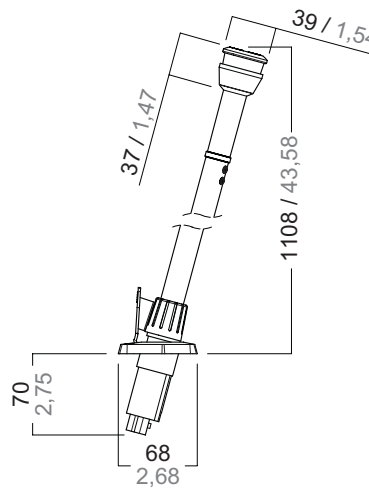


Fold-down



Dimensions in: mm / inch

Plug-in



Dimensions in: mm / inch



Navigation Lights



	Description	Vessel size	Wattage	Visibility	Mounting	Voltage	Housing colour	Art. No.
360°	All Round White, Head Assembly Only	<12m <39ft	1W	2nm	Custom	12 VDC	Black/White	KS30120000 KS30120001
360°	All Round White, Pedestal Mount 134mm/5.30"	<12m <39ft	1W	2nm	Deck-mount	12 VDC	Black	3730040700
360°	All Round White, Fold-Down, 546 mm/21.5"	<12m <39ft	1W	2nm	Deck-mount	12 VDC	Black	3730020700
360°	All Round White, Plug-In, 1562 mm/61.5" Plug-In Base not incl.	<12m <39ft	1W	2nm	Deck-mount	12 VDC	Black	3730060100 3722810100 (oval base) 3722820100 (round base)
360°	All Round White, Folding Plug-In, 1867 mm/73.5" Plug-In Base not incl.	<12m <39ft	1W	2nm	Deck-mount	12 VDC	Black	3730073100 3722810100 oval base 3722820100 round base
360°	All Round White, Fold-Down 495 mm/19.5"	<12m <39ft	1W	2nm	Deck-mount	12 VDC	White	KS30495000
360°	All Round White, Fold-Down 495 mm/19.5"	<12m <39ft	1W	2nm	Deck-mount	12 VDC	Black	KS30495001
360°	All Round White, Fold-Down 646 mm/25.5"	<12m <39ft	1W	2nm	Deck-mount	12 VDC	White	KS30646000
360°	All Round White, Fold-Down 950 mm/37.5"	<12m <39ft	1W	2nm	Deck-mount	12 VDC	Black	KS30950001
360°	All Round White, Fold-Down 1042 mm/40.5"	<12m <39ft	1W	2nm	Deck-mount	12 VDC	White	KS30104200



Navigation Lights

Series 34

Maintenance free LED navigation lights.



Application

Application depending on required visibilities.
See table in technical information.

Housing

Polycarbonate, seawater resistant, UV protected, non-corrosive, nonmagnetic, impact and shock resistant.

Optics

Innovative lens technology for wide visibility.

Protection degree

IP 67

Mounting

Side-mount, pre-wired with 140 mm cable 2 x 0.30 mm² / AWG 22, 2-hole mounting. Masthead, Masthead / Anchor, Tricolor and Tricolor / Anchor are with quickfits system, deck-mount

Electric

Multivolt, invers polarity protection included, EMC tested, with degradation control, LED(s) included 2 x 1.5 mm², self-protective insulation, class II.

Side-mount

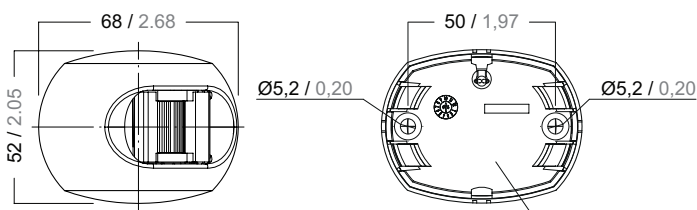
Starboard



Port



Stern



Backplate: polyamide

Dimensions in: mm / inch

	Description	Vessel size	Wattage	Visibility	Mounting	Voltage	Housing colour	Art. no.
	Starboard	< 50 m / < 164 ft.	1,5 W	2 nm	Side-mount	10 - 30 V	Black	3850001000
							White	3850101000
							Stainless steel/black	3864001000
	Port	< 50 m / < 164 ft.	1,5 W	2 nm	Side-mount	10 - 30 V	Black	3851001000
							White	3851101000
							Stainless steel/black	3865001000
	Stern	< 50 m / < 164 ft.	1,5 W	2 nm	Side-mount	10 - 30 V	Black	3852001000
							White	3852101000
							Stainless steel/black	3866001000

Complete set: Starboard + Port + Stern

In black or white housing



Description	Vessel size	Wattage	Visibility	Voltage	Housing colour	Art. no.
Set Starboard/Port/Stern	< 50 m / < 164 ft.	1,5 W	2 nm	10 - 30 V	Black White	3899500002 3899510002

Complete set: Starboard + Port + Anchor

In black or white housing



Description	Vessel size	Wattage	Visibility	Voltage	Housing colour	Art. no.
Set Starboard/Port/Anchor	< 50 m / < 164 ft.	1,5 W	2 nm	10 - 30 V	Black White	3899500001 3899510001

Spareparts / Extras

Description	Cover colour	Art. no.
Front cover, black, Starbaard	black	E-8385000800
Front cover, black, Port	black	E-8385100700
Front cover, black, Stern	black	E-8385200400
Front cover, white, Starbaard	white	E-8385000700
Front cover, white, Port	white	E-8385100600
Front cover, white, Stern	white	E-8385200500
Front cover, stainless steel, Starbaard	Stainless steel	8385000300
Front cover, stainless steel, Port	Stainless steel	8385100200
Front cover, stainless steel, Stern	Stainless steel	8385200200

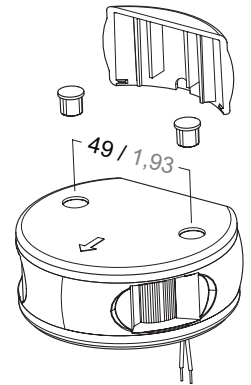
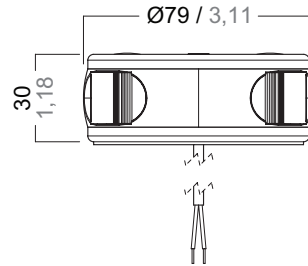
Navigation Lights



Series 34

Deck-mount or under step

Bicolor

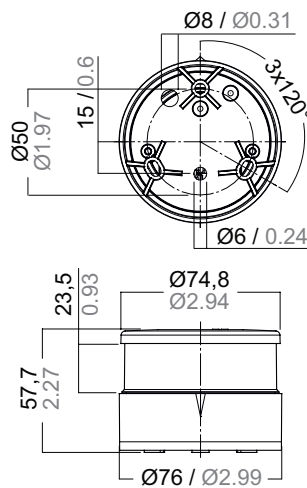


Dimensions in: mm / inch

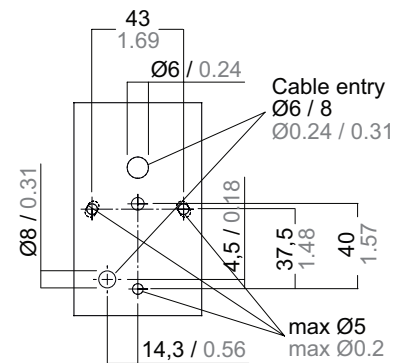
Description	Vessel size	Wattage	Visibility	Mounting	Voltage	Housing colour	Art. no.
	< 20 m / < 65 ft.	3 W	2 nm	Deck-mount	10 - 30 V	Black	3853001000
						White	3853101000
						Aluminium	3853201000

Deck-mount

All-Round



Position of holes for fixing



Dimensions in: mm / inch

Description	Vessel size	Wattage	Visibility	Mounting	Voltage	Housing colour	Art. no.
	< 50 m / < 164 ft.	1,0 W	2 nm	Deck-mount	10 - 30 V	Black	3854001000
						White	3854101000
	< 50 m / < 164 ft.	Approx. 1,3 W	2 nm	Deck-mount	10 - 30 V	Black	3854161000
						White	3854181000
	< 50 m / < 164 ft.	1,0 W	2 nm	Deck-mount	10 - 30 V	Black	3854121000
						White	3854141000



Navigation Lights

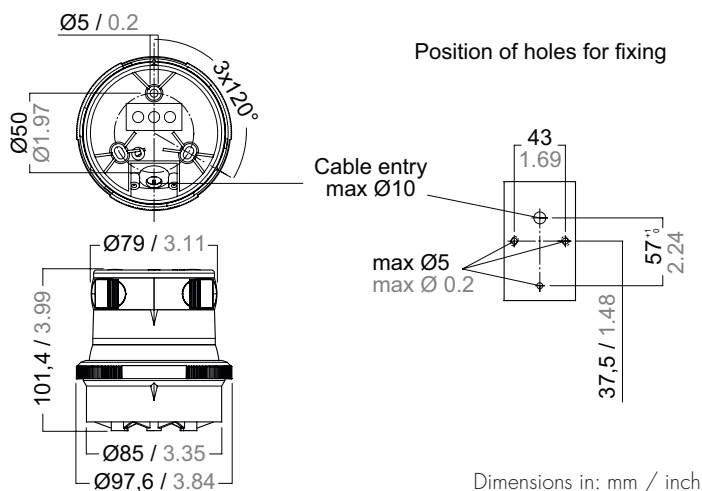
Series 34

Deck-mount

Masthead, quicfits / Tricolor, quicfits



quicfits



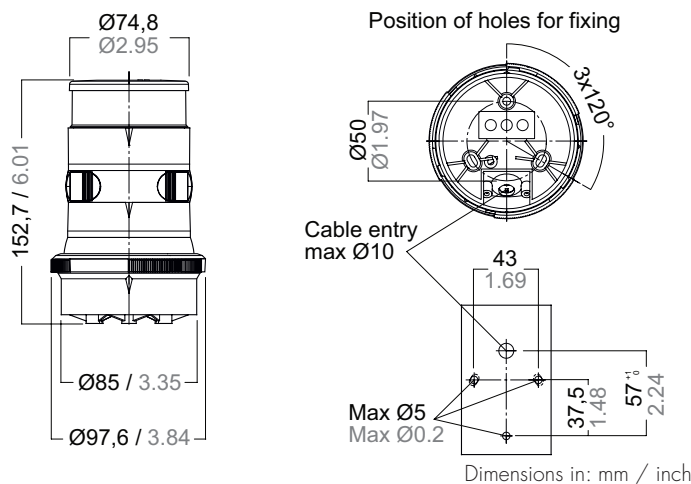
Dimensions in: mm / inch

	Description	Vessel size	Wattage	Visibility	Mounting	Voltage	Housing colour	Art. no.
	Masthead, quicfits	< 20 m / < 65 ft.	2,1 W	3 nm	Deck-mount	10 - 30 V	Black White	3855001000 3855101000
	Tricolor, quicfits	< 20 m / < 65 ft.	1,9 W	2 nm	Deck-mount	10 - 30 V	Black White	3856001000 3856101000

Masthead/Anchor / Tricolor/Anchor



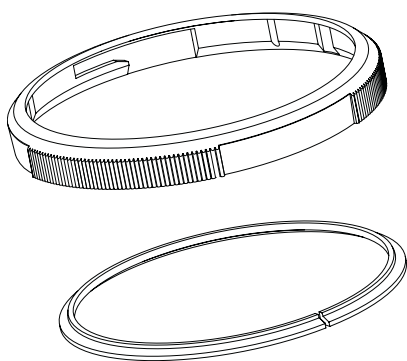
quicfits



Dimensions in: mm / inch

	Description	Vessel size	Wattage	Visibility	Mounting	Voltage	Housing colour	Art. no.
	Masthead / Anchor, quicfits	< 20 m / < 65 ft.	2,1 W (Masthead)	3 nm, 2nm	Deck-mount	10 - 30 V	Black	3858001000
			1,0 W (Anchor)				White	3858101000
	Tricolor / Anchor, quicfits	< 20 m / < 65 ft.	1,9 W (Tricolor)	2 nm	Deck-mount	10 - 30 V	Black	3857001000
			1,0 W (Anchor)				White	3857101000

Spare parts



Locking ring white E-8351401800
 Locking ring black E-8351401100



3945001000



schwarz
83545020
 weiß
83545030



From conventional lights to LED with aqua signal quicfits system

Change Navigation Lights Series 40 to LED Series 34

quicfits



Unlock Series 40 by turning lower ring to the right.



Pull Series 40 off the quicfits bracket.



Lift Series 40.



Take new LED Series 34 and place it to the bracket.



Pay attention to correct connection and right direction.



Insert LED Series 34 to quicfits bracket



Finally turn the lower ring to the left and lock Series 34.

Tip: Store Series 40 conventional version on your boat if a light brokes during a manœuvre.



Navigation Lights

Series 40

Navigation lights with traditional design and robust housing



Application

Application depending on required visibilities and vessel size. See table in chapter Information.

Housing

Polycarbonate, black or white, impact and shock resistant, non-corrosive (stainless steel), non-magnetic, seawater resistant

Optics

Lens: Fresnel, range of visibility 2 nm (Masthead 3 nm). Material: plastic, impact and shock proof, seawater resistant

Protection degree

IP56

Mounting

Side-mount, deck-mount and hoistable mount. Different bracket variants for side-mount are available. For more information see drawing on page 31.

Electric

Cable entry PG 9

Light source

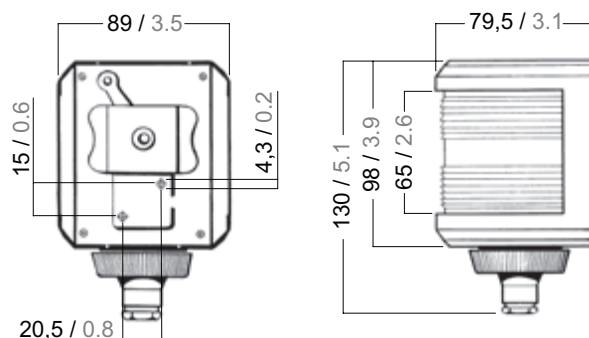
BAY 15d, 10 / 25 W included

Remark

Certification Applicability
Aqua Signal navigation lights are certified as a complete assembly including the original equipment bulb. Use only certified OEM replacement bulbs to maintain ongoing certification.

Side-mount

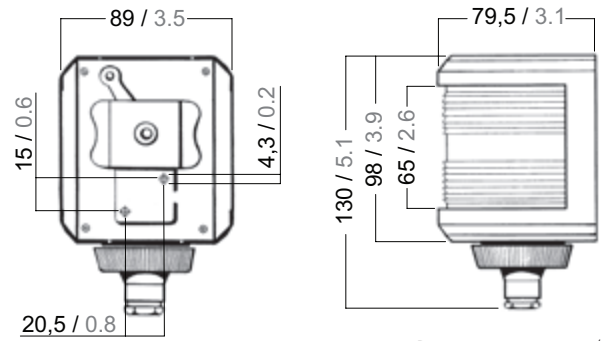
Starboard / Port / Bicolor



Dimensions in: mm / inch

	Description	Vessel size	Wattage	Visibility	Mounting	Housing colour	Art. no. 12 V	Art. no. 24 V
	Starboard	< 50 m / < 164 ft.	25 W	2 nm	Side-mount	Black	3505102000	3505103000
	Port	< 50 m / < 164 ft.	25 W	2 nm	Side-mount	Black	3504202000	3504203000
	Bicolor	< 20 m / < 65 ft.	25 W	2 nm	Side-mount	Black	3503302000	3503303000

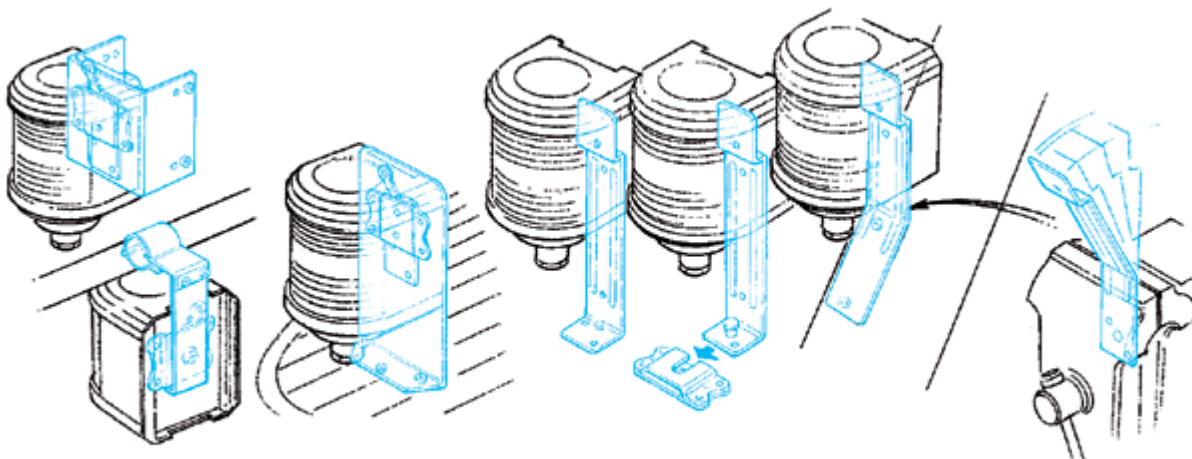
Side-mount
Masthead / Stern



Dimensions in: mm / inch

	Description	Vessel size	Wattage	Visibility	Mounting	Housing colour	Art. no. 12 V	Art. no. 24 V
	Masthead	< 20 m / < 65 ft.	25 W	3 nm	Side-mount	Black	3501002000	3501003000
	Stern	< 50 m / < 164 ft.	10 W	2 nm	Side-mount	Black	3502002000	3502003000
	Stern yellow	< 50 m / < 164 ft.	10 W	2 nm	Side-mount	Black	3502402000	3502403000

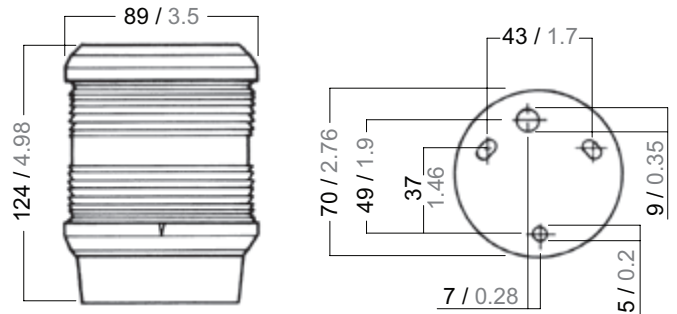
Bracket variants for Series 40, side-mount. Please go to page 51 to get the article numbers.
Series 40 can be replaced by LED Series 43.



Navigation Lights

Series 40

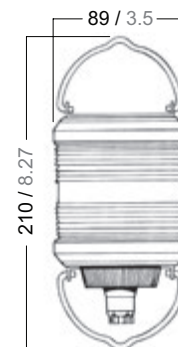
Deck-mount All-round



Dimensions in: mm / inch

	Description	Vessel size	Wattage	Visibility	Mounting	Housing colour	Art. no. 12 V	Art. no. 24 V
360°	All-round white	< 50 m / < 164 ft.	10 W	2 nm	Deck-mount	Black White	3506032000 3506629000	3506033000 3506639000
360°	All-round red	< 50 m / < 164 ft.	25 W	2 nm	Deck-mount	Black	3506232000	3506233000
360°	All-round green	< 50 m / < 164 ft.	25 W	2 nm	Deck-mount	Black	3506132000	3506133000

Hoistable All-round



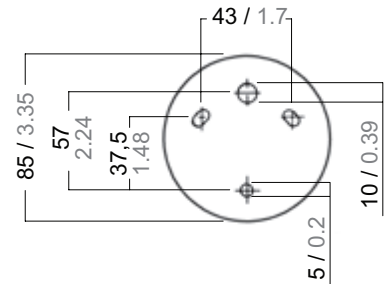
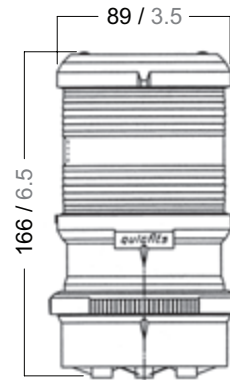
Dimensions in: mm / inch

	Description	Vessel size	Wattage	Visibility	Mounting	Housing colour	Art. no. 12 V	Art. no. 24 V
360°	All-round white	< 50 m / < 164 ft.	10 W	2 nm	Hoistable	Black	3506002000	3506003000
360°	All-round red	< 50 m / < 164 ft.	25 W	2 nm	Hoistable	Black	3506202000	3506203000
360°	All-round green	< 50 m / < 164 ft.	25 W	2 nm	Hoistable	Black	3506102000	3506103000

Deck-mount
All-round white, quicfits



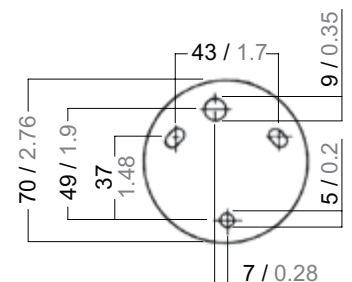
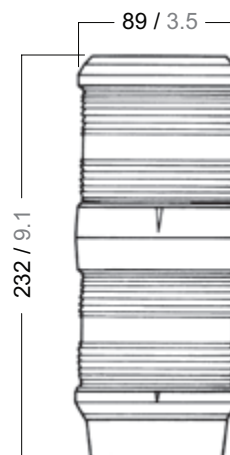
quicfits



Dimensions in: mm / inch

	Description	Vessel size	Wattage	Visibility	Mounting	Housing colour	Art. no. 12 V	Art. no. 24 V
	All-round white, quicfits	< 50 m / < 164 ft.	10 W	2 nm	Deck-mount	Black	3506652000	3506653000

Deck-mount
Masthead / Anchor combination



Dimensions in: mm / inch

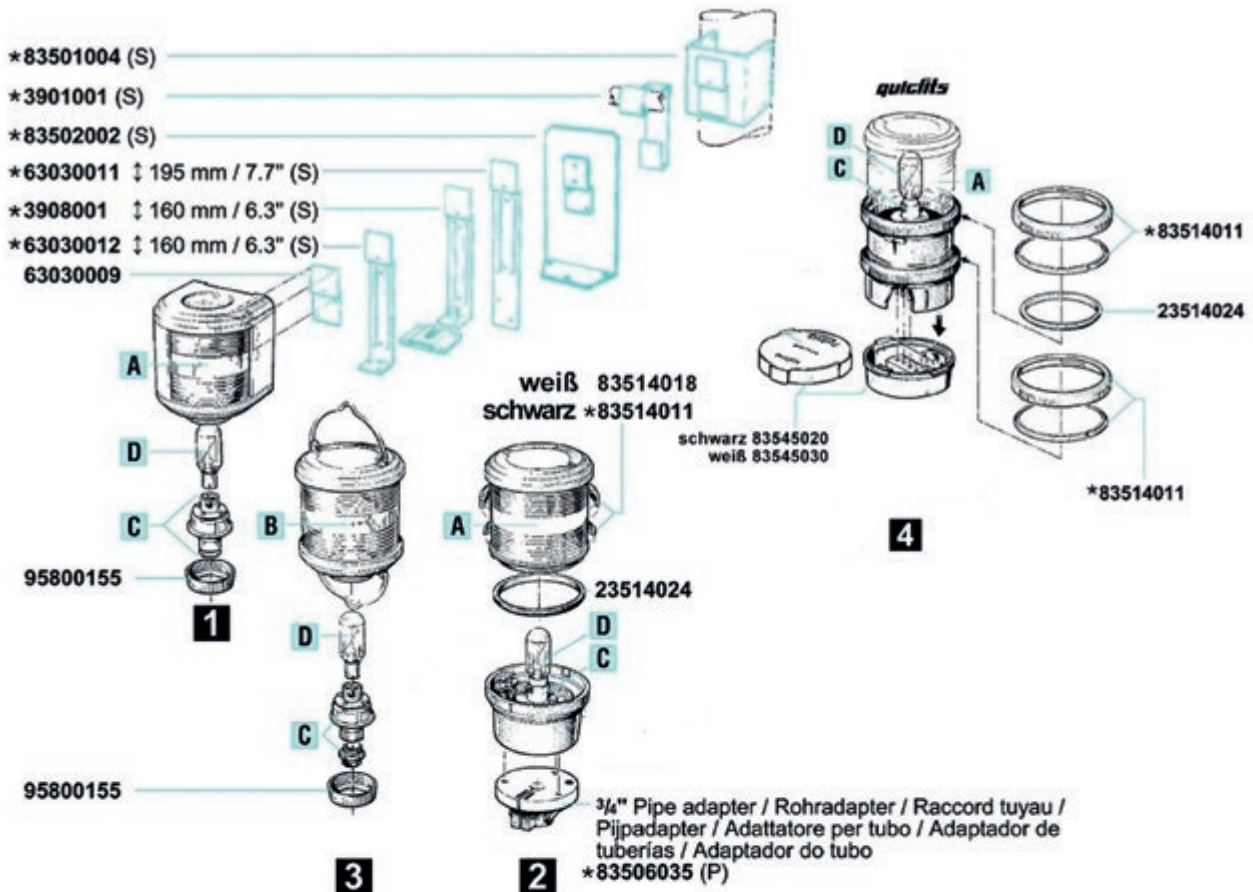
	Description	Vessel size	Wattage	Visibility	Mounting	Housing colour	Art. no. 12 V	Art. no. 24 V
	Masthead / Anchor combination	< 20 m / < 65 ft.	25 W	3 nm	Deck-mount	White	3514502000	3514503000
			10 W	2 nm				

Navigation Lights

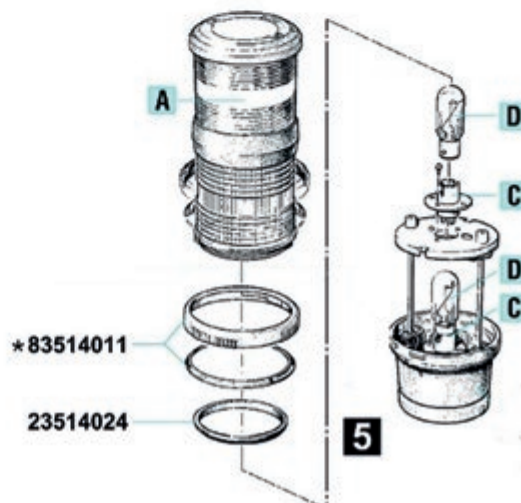


Series 40

Spare parts / Extras



	A	B	C	D
1	83505002	-	83501006	12V / 25 W 90400002
	83504002	-		
	83503001	-		
	83501008	-		
	83502003	-		
	83502004	-		
2-4	83507008	-	2 90200127 3 83506001 4 90200127	24V / 25 W 90400003
	83506022	83506005		24V / 10 W 90400006
	83506030	-		
	83506023	83506007		
	83506024	83506009		
5	83514020	-	90200127	





Navigation Lights

Series 40

Sailboat Navigation lights with aqua signal quickfits system and conventional mounting



Application

Application depending on required visibilities and vessel size. See table in chapter Information.

Housing

Black polycarbonate, impact and shock resistant, non-corrosive, non-magnetic, seawater resistant

Optics

Lens: fresnel, range of visibility 2 nm. Material: plastic, impact resistant and shock-proof, seawater resistant, replaceable

Protection degree

IP56

Mounting

With aqua signal quickfits system and conventional mounting. Quickfits system for easy dismounting for transport and winter storage.

Electric

Cable entry PG 9

Light source

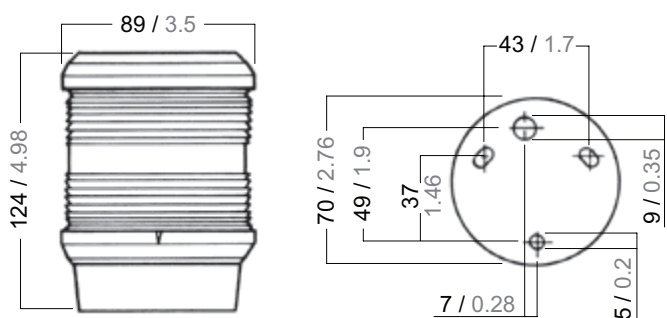
BAY 15d, 10 / 25 W included

Remark


Certification Applicability
Aqua Signal navigation lights are certified as a complete assembly including the original equipment bulb. Use only certified OEM replacement bulbs to maintain ongoing certification.

Deck-mount

Tricolor

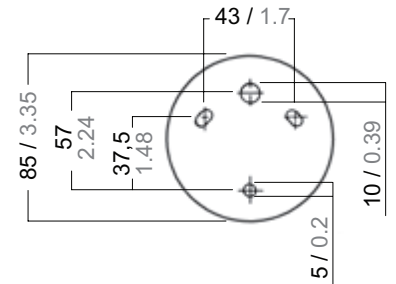
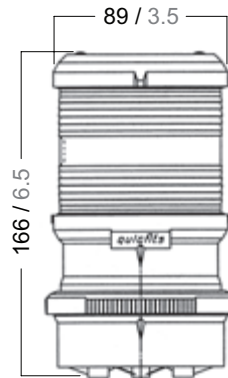


Dimensions in: mm / inch


Description	Vessel size	Wattage	Visibility	Mounting	Housing colour	Art. no. 12 V	Art. no. 24 V
 Tricolor	< 20 m / < 65 ft.	25 W	2 nm	Deck-mount	Black	3507632000	3507633000

Deck-mount
Tricolor, quicfits

quicfits

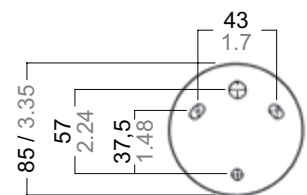


Dimensions in: mm / inch



Description	Vessel size	Wattage	Visibility	Mounting	Housing colour	Art. no. 12 V	Art. no. 24 V
 Tricolor, quicfits	< 20 m / < 65 ft.	25 W	2 nm	Deck-mount	Black	3507652000	3507653000

Deck-mount
Tricolor / Anchor, quicfits

quicfits



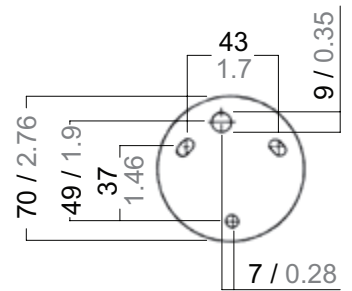
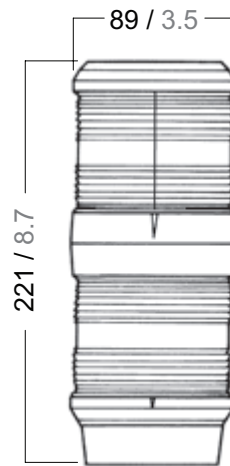
Dimensions in: mm / inch

Description	Vessel size	Wattage	Visibility	Mounting	Housing colour	Art. no. 12 V	Art. no. 24 V
  Tricolor / Anchor, quicfits	< 20 m / < 65 ft.	25 W (Tricolor), 10 W (Anchor)	2 nm	Deck-mount	Black	3514952000	3514953000



Navigation Lights

Series 40

Deck-mount
Tricolor / Anchor



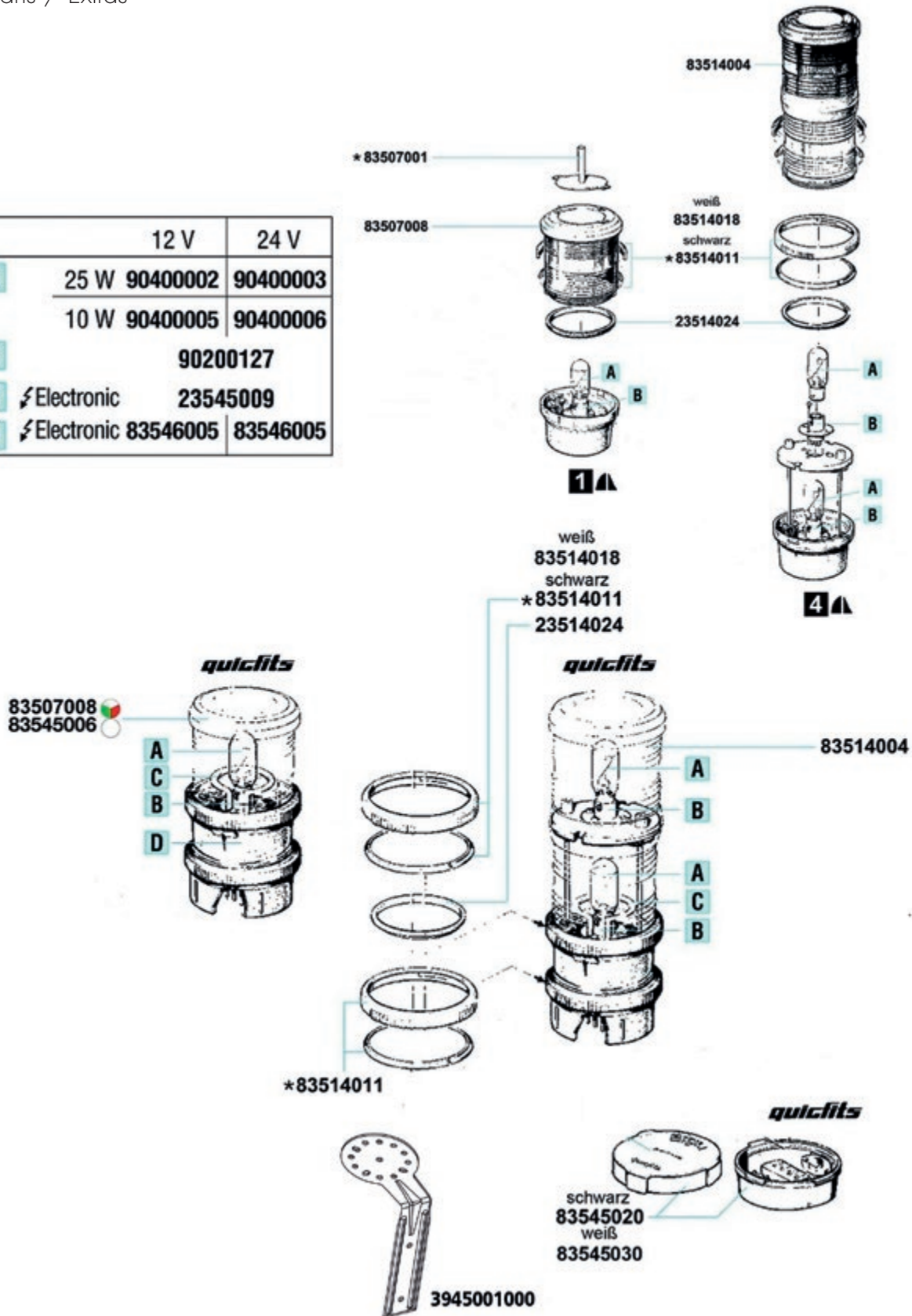
Dimensions in: mm / inch

Description	Vessel size	Wattage	Visibility	Mounting	Housing colour	Art. no. 12 V	Art. no. 24 V
 Tricolor / Anchor 	< 20 m / < 65 ft.	25 W (Tricolor), 10 W (Anchor)	2 nm	Deck-mount	Black	3514912000	3514913000



Spare parts / Extras

	12 V	24 V
A	25 W 90400002	90400003
	10 W 90400005	90400006
B	90200127	
C	⚡ Electronic 23545009	
D	⚡ Electronic 83546005	83546005



Navigation Lights

Series 41

Conventional light in black or white housing for direct mounting.



Application

Application depending on required visibilities and vessel size.
See table in chapter Information.

Housing

Polycarbonate, black or white, impact and shock resistant,
non-corrosive, non-magnetic, seawater resistant

Optics

Lens: fresnel, range of visibility 2 nm (Masthead 3 nm).
Material: plastic, impact and shock resistant, seawater resistant,
replaceable

Protection degree

IP55

Mounting

Side-mount or mast-mount.

Light source

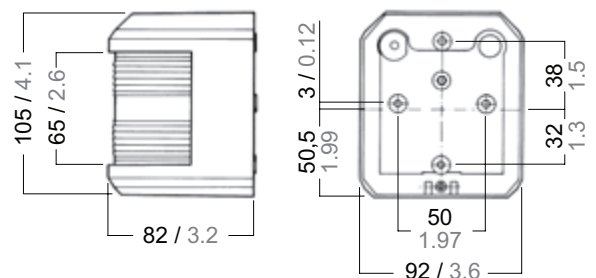
BAY 15d, 10 / 25 W included
PAR 36 (only foredeck light) included
LED retrofit insert for foredeck light is available, see page 111.

Remark



Certification Applicability
Aqua Signal navigation lights are certified as a complete assembly
including the original equipment bulb. Use only certified OEM
replacement bulbs to maintain ongoing certification.

Side-mount

Starboard / Port

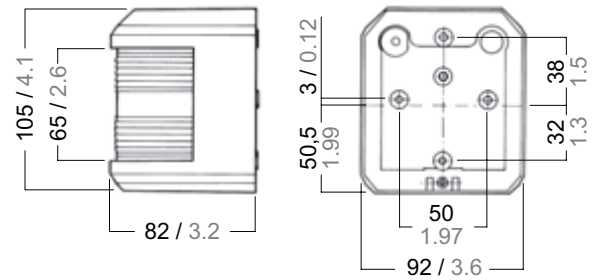


Dimensions in: mm / inch

	Description	Vessel size	Wattage	Visibility	Mounting	Housing colour	Art. no. 12 V	Art. no. 24 V
	Starboard	< 50 m / < 164 ft.	25 W	2 nm	Side-mount	Black White	3543102000 3543623000	3543103000 3543626000
	Port	< 50 m / < 164 ft.	25 W	2 nm	Side-mount	Black White	3544202000 3544623000	3544203000 3544626000

Side-mount

Bicolor / Masthead / Stern



Dimensions in: mm / inch

	Description	Vessel size	Wattage	Visibility	Mounting	Housing colour	Art. no. 12 V	Art. no. 24 V
	Bicolor	< 20 m / < 65 ft.	25 W	2 nm	Side-mount	Black White	3542302000 3542623000	3542303000 3542626000
	Masthead	< 20 m / < 65 ft.	25 W	3 nm	Side-mount	Black White	3540002000 3540623000	3540003000 3540627000
	Stern	< 50 m / < 164 ft.	10 W	2 nm	Side-mount	Black White	3541002000 3541623000	3541003000 3541626000
	Stern yellow	< 50 m / < 164 ft.	10 W	2 nm	Side-mount	Black	3541402000	3541403000

Bicolor, white



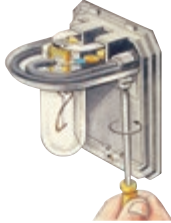
Starboard, white



Navigation Lights

Series 41

Wiring instruction:

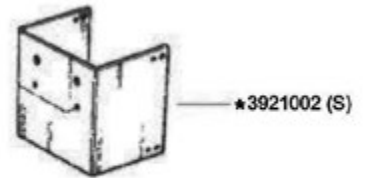
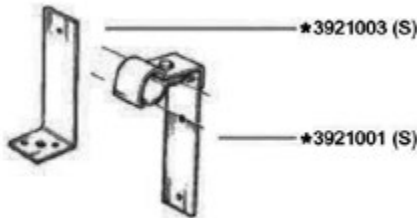


Spare parts / Extras

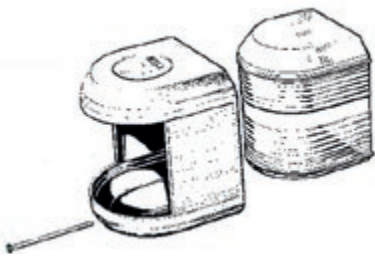
90400002 12V/25W
90400003 24V/25W
90400005 12V/10W
90400006 24V/10W









90400306 12V/35W
90400307 12V/50W Halogen
90400308 24V/50W

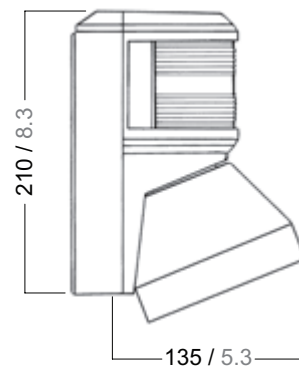


These spare part sets include housing, fresnel lens and housing affixing screw.



Description	Housing colour	Art. no.
 Starboard	Black	E-8354370000
	White	E-8354370200
 Port	Black	E-8354470000
	White	E-8354470200
 Bicolor	Black	E-8354270000
	White	E-8354270200
 Masthead	Black	E-8354070200
	White	E-8354070500
 Stern	Black	E-8354170000
	White	E-8354170300
 Stern yellow	Black	E-8354170200

Mast-mount



Dimensions in: mm / inch

	Description	Vessel size	Wattage	Visibility	Mounting	Housing colour	Art. no. 12 V	Art. no. 24 V
 	Masthead / Foredeck combination	< 20 m / < 65 ft.	25 W (Masthead),	3 nm	Mast-mount	Black	3108104000	3108114000
			35 W (Foredeck)			White		
 	Masthead / Foredeck combination	< 20 m / < 65 ft.	25 W (Masthead),	3 nm	Mast-mount	Black	3108102000	3108103000
			50 W (Foredeck) Halogen			White	3108112000	3108113000



Navigation Lights

Series 43 Topp/Bicolor

Modern design and optimised size for sport boats and yachts up to 50 m



Application

Application depending on required visibilities and vessel size. See table in chapter Information.

Housing

Polycarbonate, black or white, seawater resistant, non-corrosive und non-magnetic, impact and shock resistant

Optics

2 or 3 LED (depending on product), range of visibility 2 nm (Masthead 3 nm)

Protection degree

IP67

Mounting

Side-mount, mounting holes are identical with side-mount versions of Series 41. Optional mounting backplate available which allows to use existing mounting holes or plates of conventional Series 40/50.

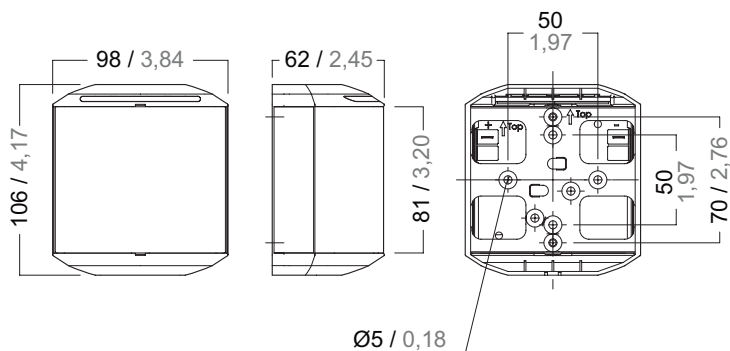
Electric

Multivolt, invers polarity protection included, EMC tested, with degradation control

Light source

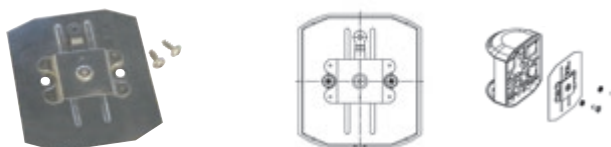
LED included



Side-mount
Masthead / Bicolor



Dimensions in: mm / inch

Spare parts / Extras



Description	Vessel size	Wattage	Visibility	Mounting	Voltage	Housing colour	Art. no.
 Masthead	< 20 m / < 65 ft.	4 W	3 nm	Side-mount	10 - 30 V	Black White	3605001000 3605101000
 Bicolor	< 50 m / < 164 ft.	3 W	2 nm	Side-mount	10 - 30 V	Black White	3603001000 3603101000
This mounting plate allows to replace Series 40 and 50 with LED Series 43 by using the same mounting holes.							3600005000

Series 43

LED Masthead light in combination with LED deck light



Application

For sport boats and yachts up to 20 m.

Housing

Polycarbonate, black or white, seawater resistant, non-corrosive, non-magnetic, impact and shock resistant

Optics

With lens for optimal light distribution

Protection degree

IP67

Mounting

Mast-mount, mounting holes are identical with masthead/foredeck version of conventional Series 41.

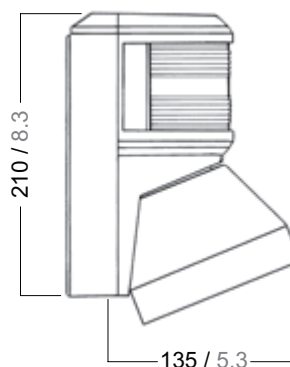
Electric

Invers polarity protection included


Light source

1 Power LED Module, 5 W included, replaceable (only foredeck)
1 Power LED Module, 4 W included

Mast-mount



Dimensions in: mm / inch

Description	Vessel size	Wattage	Visibility	Mounting	Voltage	Housing colour	Art. no.
 Masthead / foredeck combination	< 20 m /	4 W (Masthead) /	3 nm	Mast-mount	10 - 30 V	Black	3108201000
	< 65 ft.	5 W (Foredeck)				White	3108202000

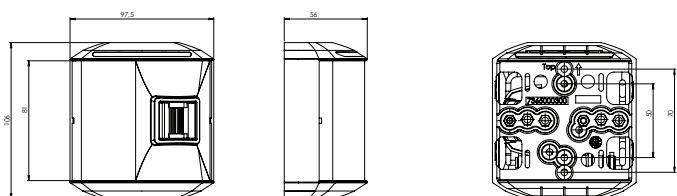
Series 44

LED Navigation lights with high quality and modern design

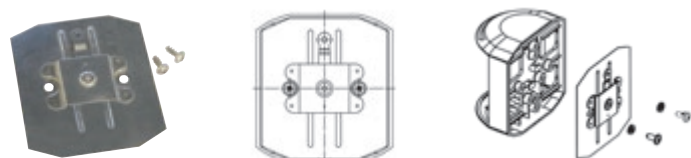


Series 44 LED Navigation Light – It will keep you safe!
 Our new maintenance free LED navigation light is the perfect choice for recreational boats and vessels <50m. The modern and unique design combined with LED optics and high quality electronics guarantees safety at sea in all weather conditions. Designed for fashion, developed for heavy duty work.

Power Supply	12-24VDC according to the ISO 10133 EMC/EMI according to EMC1 for open deck and Bridge
Temp Range	-20°C to +35°C degradation control
Visibility	2 nm
Light source	1 power LED module
Electric	Multivolt, inverts polarity protection included, EMC tested
Optics and Electronics	With "sealed for life" technology IP68
Installation	Easy with Water protected IP67 cable connections made of stainless steel in "over flap" housing
Housing	Polycarbonate, black or white, seawater resistant, UV-resistant, non-corrosive and non-magnetic, impact and shock resistant. Same footprint and fixing points like S40, S41 and S43
Approvals	Wheelmark USCG



Spare parts / Extras



Description	Vessel size	Wattage	Visibility	Mounting	Voltage	Housing colour	Art.no.
Starboard green	< 50m/< 164ft	1W	2nm	Deck-mount	12V, 24V	Black White	3650001000 3650101000
Port red	< 50m/< 164ft	1W	2nm	Deck-mount	12V, 24V	Black White	3651001000 3651101000
Stern white	< 50m/< 164ft	1W	2nm	Deck-mount	12V, 24V	Black White	3652001000 3652101000
Mounting plate	This mounting plate allows to replace Series 40 and 50 with LED Series 43 by using the same mounting holes.						3600005000
Cover for starboard & port, black							E- 2365000700
Cover for starboard & port, white							E- 2365000800
Cover for stern, black							E- 2365200500
Cover for stern, white							E- 2365200600



Navigation Lights

Series 50

Classic model made of stainless steel



Application

Application depending on required visibilities and vessel size.
See table in chapter Information.

Housing

Stainless steel, impact and shock resistant, non-corrosive,
non-magnetic, seawater resistant

Optics

Lens: fresnel, range of visibility 2 nm (Masthead 3 or 5 nm)
Material: plastic, impact resistant and shockproof, seawater resistant,
UV protected

Protection degree

IP56

Side-mount

Starboard / Port / Bicolor / Masthead / Stern

Mounting

Side-mount, deck-mount and hoistable mount. Different bracket
variants for side-mount are available.

For more information see drawing on page 51.

Electric

Pre-wired with 1.5 m special connection cable, 2 x 1.5 mm²,
self-protective insulation acc. to class II

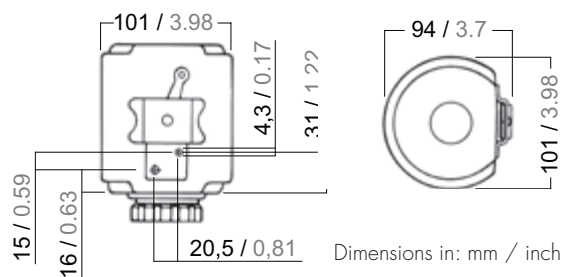
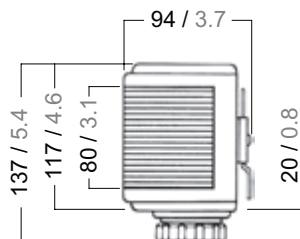
Light source

Bulb included

Remark

Certification Applicability

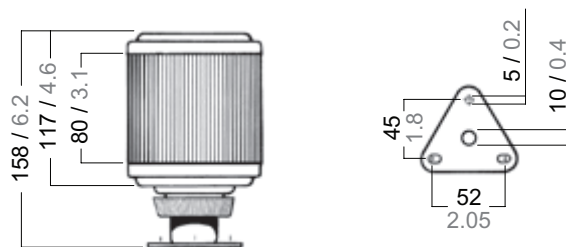
Aqua Signal navigation lights are certified as a complete assembly
including the original equipment bulb. Use only certified OEM
replacement bulbs to maintain ongoing certification.



Dimensions in: mm / inch

	Description	Vessel size	Wattage	Visibility	Mounting	Housing colour	Art. no. 12 V	Art. no. 24 V
	Starboard	< 50 m / < 164 ft.	25 W	2 nm	Side-mount	Stainless steel	3036102000	3036103000
	Port	< 50 m / < 164 ft.	25 W	2 nm	Side-mount	Stainless steel	3035202000	3035203000
	Bicolor	< 20 m / < 65 ft.	25 W	2 nm	Side-mount	Stainless steel	3033302000	3033303000
	Masthead	< 20 m / < 65 ft.	25 W	3 nm	Side-mount	Stainless steel	3030002000	3030003000
	Masthead white stark	< 50 m / < 164 ft.	25 W	5 nm	Side-mount	Stainless steel	3087002000	3087003000
	Stern	< 20 m / < 65 ft.	10 W	2 nm	Side-mount	Stainless steel	3034002000	3034003000
	Stern yellow	< 20 m / < 65 ft.	10 W	2 nm	Side-mount	Stainless steel	3091402000	3091403000

Deck-mount All-round



Dimensions in: mm / inch

	Description	Vessel size	Wattage	Visibility	Mounting	Housing colour	Art. no. 12 V	Art. no. 24 V
360°	All-round white	< 20 m / < 65 ft.	10 W	2 nm	Deck-mount	Stainless steel	3037012000	3037013000
360°	All-round white ordinary	< 20 m / < 65 ft.	10 W	2 nm	Deck-mount	Stainless steel	3086012000	3086013000
360°	All-round white hell	< 20 m / < 65 ft.	25 W	2 nm	Deck-mount	Stainless steel	3083012000	3083013000
360°	All-round red	< 20 m / < 65 ft.	25 W	2 nm	Deck-mount	Stainless steel	3038212000	3038213000
360°	All-round green	< 20 m / < 65 ft.	25 W	2 nm	Deck-mount	Stainless steel	3039112000	3039113000
360°	All-round yellow	< 20 m / < 65 ft.	25 W	2 nm	Deck-mount	Stainless steel	3058412000	3058413000

Side-mount Bicolor



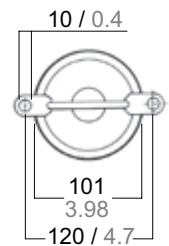
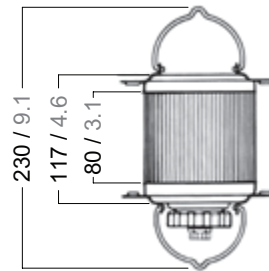
Side-mount Stern



Navigation Lights

Series 50

Hoistable
All-round



Dimensions in: mm / inch

	Description	Vessel size	Wattage	Visibility	Mounting	Housing colour	Art. no. 12 V	Art. no. 24 V
360°	All-round white	< 20 m / < 65 ft.	10 W	2 nm	Hoistable	Stainless steel	3037002000	3037003000
360°	All-round white ordinary	< 20 m / < 65 ft.	10 W	2 nm	Hoistable	Stainless steel	3086002000	3086003000
360°	All-round white hell	< 20 m / < 65 ft.	25 W	2 nm	Hoistable	Stainless steel	3083002000	3083003000
360°	All-round red	< 20 m / < 65 ft.	25 W	2 nm	Hoistable	Stainless steel	3038202000	3038203000
360°	All-round green	< 20 m / < 65 ft.	25 W	2 nm	Hoistable	Stainless steel	3039102000	3039103000
360°	All-round yellow	< 20 m / < 65 ft.	25 W	2 nm	Hoistable	Stainless steel	3058402000	3058403000
360°	All-round blue	< 20 m / < 65 ft.	25 W	2 nm	Hoistable	Stainless steel	3085502000	3085503000

Spare parts / Extras

- 83037010 ○ white / weiß / blanc
- 83086002 ○ ordinary / gewöhnlich / ordinaire
- 83038002 ● red
- 83039002 ● green

- 83037011 ○ white / weiß / blanc
- 83086001 ○ ordinary / gewöhnl. / ordinaire
- 83038001 ● red
- 83039001 ● green
- 83058001 ● yellow

- 90400002 12V/25W
- 90400003 24V/25W
- 90400005 12V/10W
- 90400006 24V/10W

83037009

95800099

- 83037002
- 83507003 with cable clamp / mit Kabelklemme / avec borne de câble / met kabelklem / con morsetto per cavi / con borne de cable / com borne para o cabo

83030006

95800099

- 83035002 ● green
- 83036002 ● red
- 83033002 ● green
- 83030003 ● 3 n.m.
- 83087001 ● 5 n.m.
- 83034002 ● black

63030009

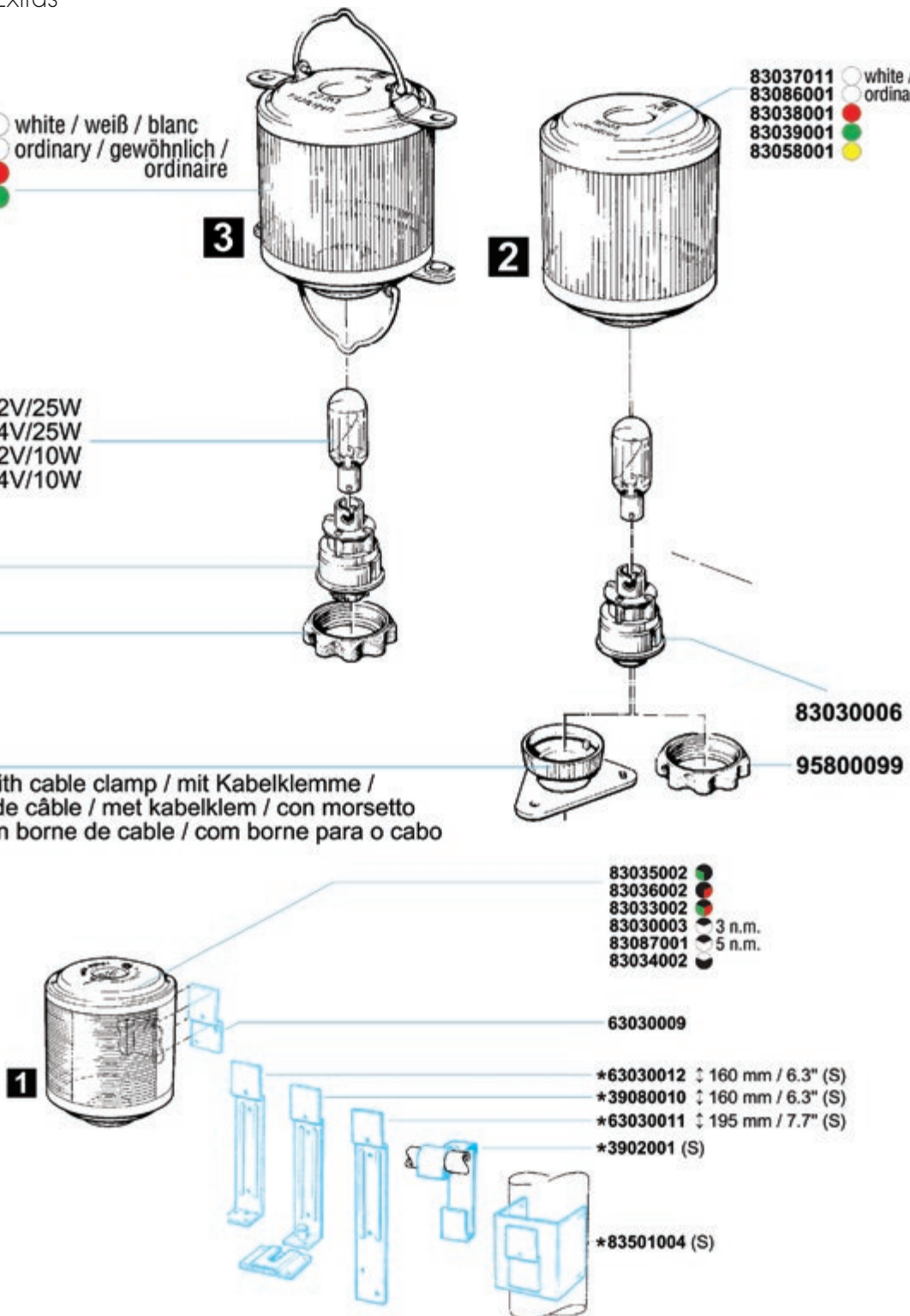
*63030012 ↓ 160 mm / 6.3" (S)

*39080010 ↓ 160 mm / 6.3" (S)

*63030011 ↓ 195 mm / 7.7" (S)

*3902001 (S)

*83501004 (S)



Navigation Lights

Series 55

The black and white solution



Application

The Series 55 Navigation lights are applicable for vessels > 20 - < 50 m in length. The Navigation lights fulfil all requirements of International Regulations for Preventing Collisions at Sea 1972 (COLREG) are published by the International Maritime Organization (IMO) and local rules.

Housing

Matte black or white polycarbonate, glass fibre reinforced, all components made from non-corrosive and nonmagnetic seawater resistant materials.

Protection degree

IP 56

Mounting

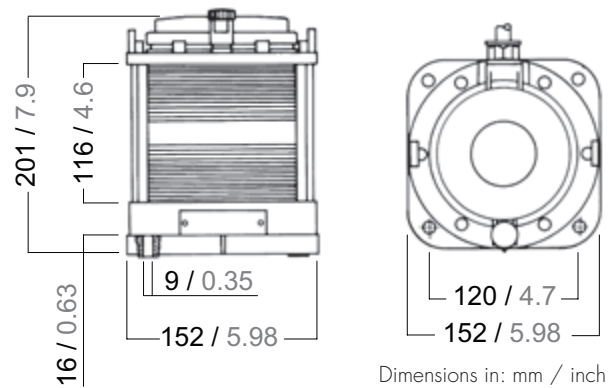
Base flange attachment, four screws M8 (not included)

Electric

Pre-wired with 1.5 m special connection cable, 2 x 1.5 mm², self-protective insulation, class II, bulb included

Deck-mount

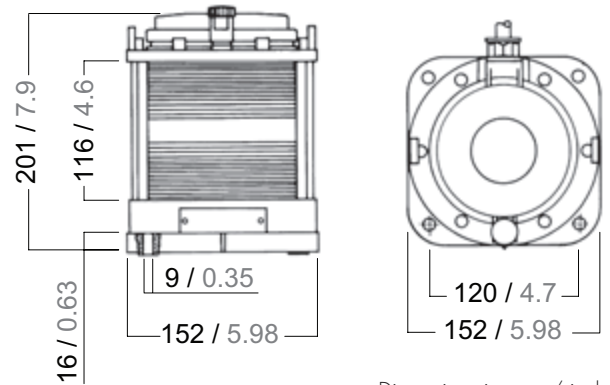
Starboard / Port / Masthead / Stern



	Description	Vessel size	Wattage	Visibility	Mounting	Housing colour	Art. no. 12 V	Art. no. 24 V
	Starboard	> 20 m / 65 ft., < 50 m / 164 ft.	25 W	2 nm	Deck-mount	Black	3535102000	3535103000
						White	3535622000	3535623000
	Port	> 20 m / 65 ft., < 50 m / 164 ft.	25 W	2 nm	Deck-mount	Black	3534202000	3534203000
						White	3534622000	3534623000
	Masthead	> 20 m / 65 ft., < 50 m / 164 ft.	25 W	5 nm	Deck-mount	Black	3532002000	3532003000
						White	3532622000	3532623000
	Stern	> 20 m / 65 ft., < 50 m / 164 ft.	25 W	2 nm	Deck-mount	Black	3533702000	3533703000
						White	3533622000	3533623000
	Stern yellow	> 20 m / 65 ft., < 50 m / 164 ft..	25 W	2 nm	Deck-mount	Black	3533402000	3533403000
						White	3533652000	3533653000

Deck-mount

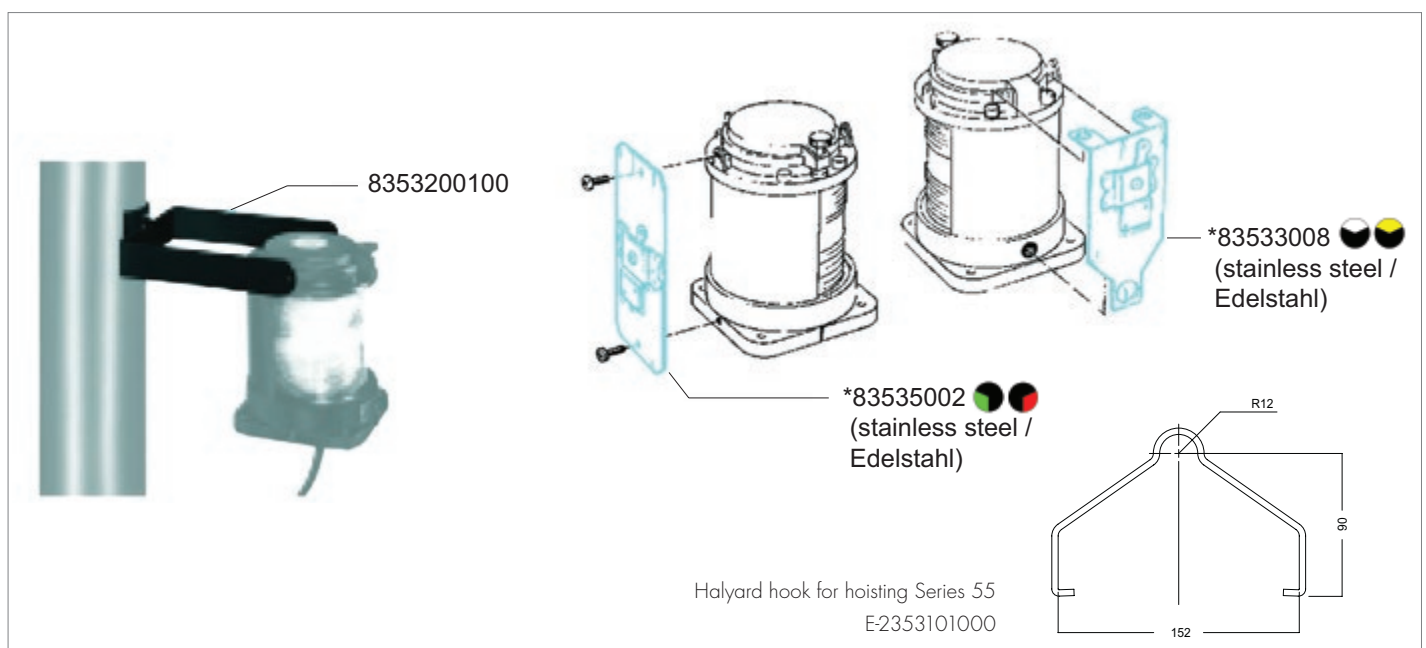
All-round / Port / Masthead



Dimensions in: mm / inch

	Description	Vessel size	Wattage	Visibility	Mounting	Housing colour	Art. no. 12 V	Art. no. 24 V
360°	All-round white	> 20 m / 65 ft., < 50 m / 164 ft.	25 W	2 nm	Deck-mount	Black	3531702000	3531703000
						White	3531622000	3531623000
360°	Port	> 20 m / 65 ft., < 50 m / 164 ft.	25 W	2 nm	Deck-mount	Black	3531202000	3531203000
						White	3531632000	3531633000
360°	Masthead	> 20 m / 65 ft., < 50 m / 164 ft.	25 W	5 nm	Deck-mount	Black	3531102000	3531103000
						White	3531642000	3531643000

Spare parts / Extras









Special Lights



Strobe
Page 58



Anchor/Strobe
Page 59



Tricolor/Anchor
/Strobe
Page 59



Strobe light blue
Page 60



Sound signal
Page 62

Strobe lights	58 - 59
Strobe light blue.....	60
Sound signal	62

Special Lights

Strobe light

Strobe light with aqua signal quicfits system.



Application

Application depending on required visibilities and vessel size. For usage of strobe lights please refer to national regulations.

Housing

Polycarbonate black or white, impact and shock resistant, non-corrosive, non-magnetic, seawater resistant

Optics

Lens: Fresnel, range of visibility 3 nm (Tricolor/Anchor 2 nm), Material: plastic, impact and shock resistant, seawater resistant, replaceable

Protection degree

IP 56

Mounting

Deck-mount, mounting with aqua signal quicfits system for easy dismantling, transport and winter storage.

Electric

Cable entry PG 9

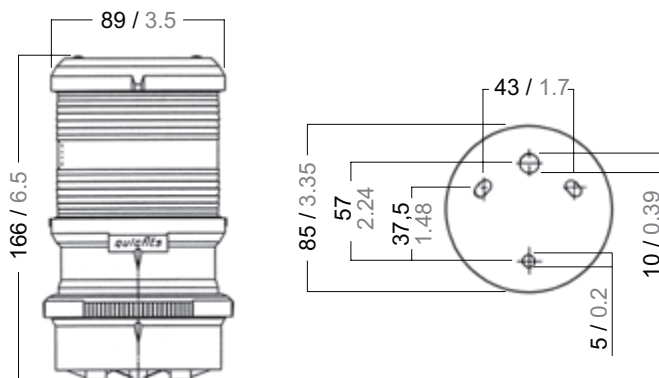
Light source

Xenon Strobe bulb included (Strobe)
BAY 15d, 10 / 25 W included (Anchor/Strobe, Tricolor/Anchor/Strobe)

Remark

The bulbs used in the navigation lights are part of the approval/certification. Spare bulbs must also be approved.
Strobe light: 60 flashes per minute.

Strobe



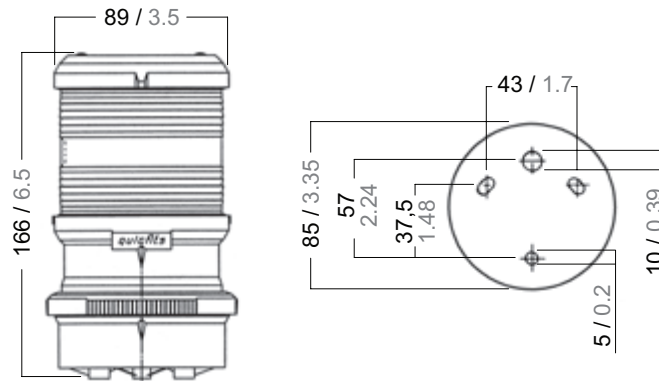
Dimensions in: mm / inch




quicfits

Description	Wattage	Visibility	Mounting	Voltage	Housing colour	Art. no.
Strobe, quicfits white	8 W/s	3 nm	Deck-mount	12 - 24 V	Black	3545052000
Strobe, quicfits blue	8 W/s	3 nm	Deck-mount	12 - 24 V	Black	3545552000

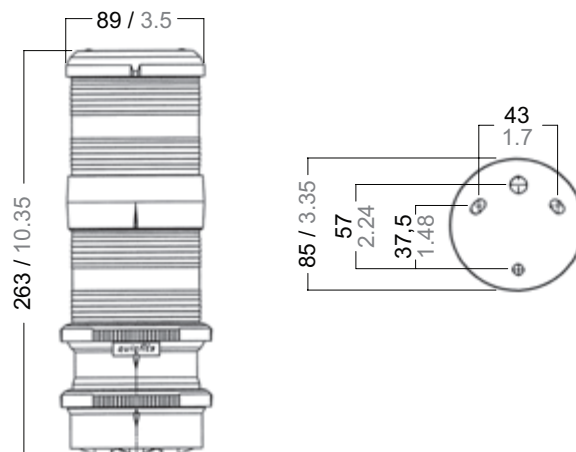
Anchor / Strobe




Dimensions in: mm / inch

	Description	Vessel size	Wattage	Visibility	Mounting	Housing colour	Art. no. 12 V	Art. no. 24 V
	Anchor / Strobe, quicfits	< 50 m / < 164 ft.	10 W (Anchor), 8 Ws (Strobe)	2 nm, 3 nm (Strobe)	Deck-mount	Black	3546052000	3546053000
quicfits	Anchor / Strobe, quicfits	< 50 m / < 164 ft.	10 W (Anchor), 8 Ws (Strobe)	2 nm, 3 nm (Strobe)	Deck-mount	White	3546062000	3546063000

Tricolor / Anchor / Strobe



Dimensions in: mm / inch

	Description	Vessel size	Wattage	Visibility	Mounting	Housing colour	Art. no. 12 V	Art. no. 24 V
	Tricolor / Anchor / Strobe, quicfits	< 20 m / < 65 ft.	25 W (Tricolor), 10 W (Anchor), 8 Ws (Strobe)	2 nm, 3 nm (Strobe)	Deck-mount	Black	3547952000	3547953000
quicfits								

Strobe light blue

Strobe light blue



Application

The right light for Red Cross-, Sea Rescue Service-, Customs and Border-Patrol crafts and for crafts with comparable tasks.

Housing

Special plastic black, dome blue

Optics

The striking attraction of the light signals is achieved through the arrangement of the halogen lamp and of the three lenses, which emit a strongly focused light in three directions at the same time. The strong focuses of light are strictly separated from each other and result in the wanted flash light.

Protection degree

IP 56

Mounting

Deck-mount with 3 screws (not included)

Electric

Motor and control print-card 12 V or 24 V

Light source

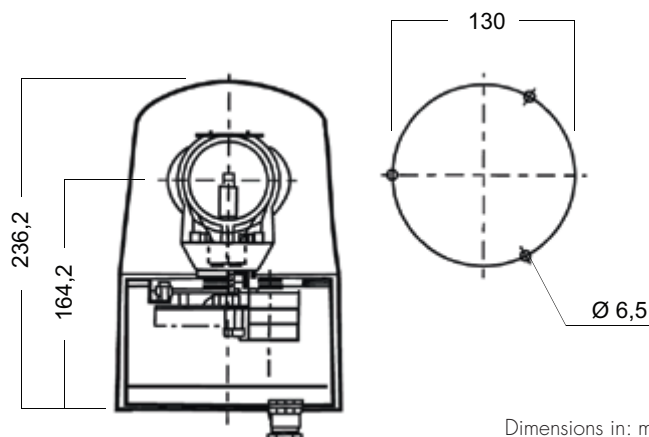
H1 Halogen bulb, P14.5s, 12 V / 55 W included

H1 Halogen bulb, P14.5s, 24 V / 70 W included

Remark

Only used for authorised vessels.

120 flashes per minute.



Dimensions in: mm



Description	Wattage	Mounting	Voltage	Housing colour	Art. no.
Strobe, blue	55 W	Deck-mount	12 V	Black	9700022400
Strobe, blue	70 W	Deck-mount	24 V	Black	9700022300



Special Lights



Sound signal

For inland waterway traffic



Application

This light is used on European inland waterways for vessels < 50 m / < 164 ft.

Housing

Polycarbonate black, impact and shock resistant, non-corrosive, non-magnetic, seawater resistant

Optics

Lens: Fresnel, range of visibility 2 nm

Material: plastic, impact and shock resistant, seawater resistant, replaceable

Protection degree

IP 55

Mounting

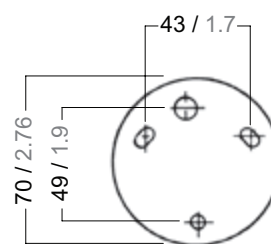
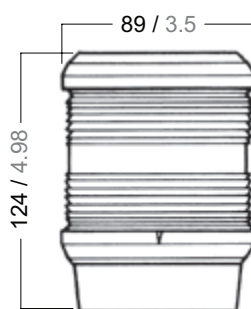
Deck-mount

Electric


Cable entry PG 9

Remark

The bulbs used in the navigation lights are part of the approval / certification. Spare bulbs must also be approved.



Dimensions in: mm / inch

Description	Vessel size	Wattage	Visibility	Mounting	Housing colour	Art. no. 24 V
 Sound Signal	< 50 m / < 164 ft.	25 W	2 nm	Deck-mount	Black	3538433000



Navigation lights

Special lights

Exterior lights

Underwater lights

Interior lights

Accessories/Bulbs

Information



Exterior Lights



Kiel
Page 66



Cary
Page 67



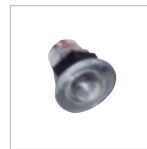
Hamburg
Page 68



Luebeck
Page 70



Bergen
Page 73



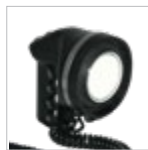
Lima
Page 74



Cordobra
Page 75



Bremen
Page 76 - 77



Bremen LED
Page 78



Island
Page 80



Flensburg
Page 81



FL40
Page 82 - 83

Kiel.....	66
Cary.....	67
Hamburg.....	68
Upgrade your decklight.....	69
Luebeck.....	70
Bergen.....	73
Lima.....	74
Cordobra.....	75
Bremen.....	76 - 77
Bremen LED.....	78
Island.....	80
Flensburg.....	81
FL40.....	82 - 83

Exterior Lights



Kiel

LED deck light



Application

Kiel LED light illuminates deck areas and allows a flexible mastmounting.

Housing

Black or white high quality plastic, seawater resistant, impact and shock resistant, non-corrosive, non-magnetic

Optics

1 Power LED Module (5W) with lens for optimal light distribution

Protection degree

IP67

Mounting

Flexible mastmounting

Electric

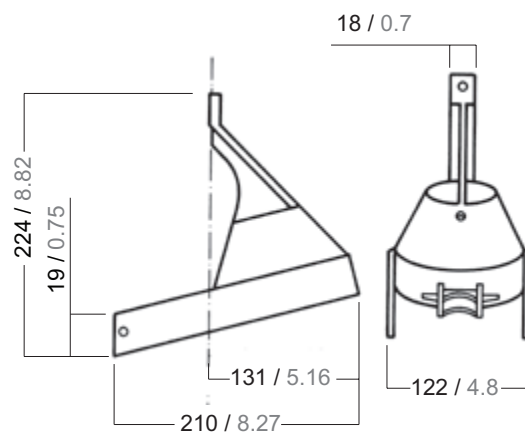
Multivolt 10-30 V, inverse polarity and overvoltage protection included, EMC tested

Light source

1 Power LED Module, 5 W, included, replaceable

Remark

Kiel can be operated with LED, incandescent and halogen lamps. See bulbs spare parts list.



Dimensions in: mm / inch

Description	Wattage	Voltage	Housing colour	Art. no.
LED deck light	5 W	10-30 V	Black	3144202000
			White	3144205000

Spare parts / Extras

Description	Wattage	Voltage	Art. no.
LED insert	5 W	10-30 V	E-8313421301
Incandescent insert	35 W	12 V	E-9040030600
Halogen insert	50 W	12 V	E-9040030700
Incandescent insert	50 W	24 V	E-9040030800

Cary

LED Rechargeable Handheld Searchlight



Application

Provides 350 lumens of light and a beam distance of at approx. 360 metres (1,200 feet). Completely waterproof with IP67 protection. Pistol trigger grip that is TPR coated for no-slip function. Supplied with AC home and 12V DC charger. Powered by 3.78V 2,200 mAh 18650 battery with overcharge protection and charging indicator. Switch with locking function and 4 settings; high brightness, low brightness, S.O.S. (flashing alert), and off. Also rear red flashing alert by pressing and holding switch until activated. Supplied with lanyard for secure attachment to prevent loss overboard. Also, supplied with whistle for sound signaling.

Mounting

Hand-held pistol operation with top adjustable bracket for hand or stand.

Electric

Rechargeable, run time @6 hours depending on function



Description	Wattage	Voltage	Housing colour	Art. no.
LED Rechargeable Handheld Searchlight	3 W	12 V	Gray/Black	3786700700

Exterior Lights



Hamburg

LED deck light



Application

Hamburg is designed to illuminate deck areas or any location where maximum light output is required. It is suitable for sailboats and powerboats.

Housing

Black or white high quality plastic, seawater resistant, impact and shock resistant, non-corrosive, non-magnetic

Optics

1 Power LED Module (5W) with lens for optimal light distribution

Protection degree

IP67



Mounting

1. Directly on spreader
2. Wall- or mast-mount, optional with stainless steel bracket

Electric

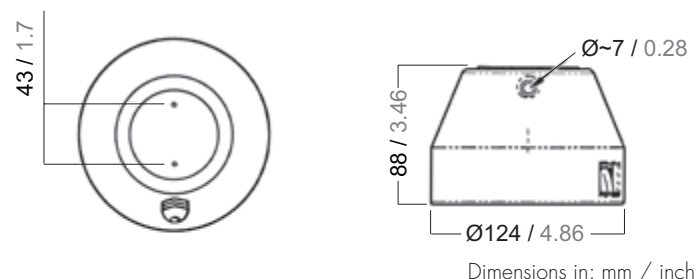
Multivolt, inverse polarity and overvoltage protection included, EMC tested, cable entry (cable Ø 4-8 mm)

Light source

1 Power LED Module, 5 W, included, replaceable

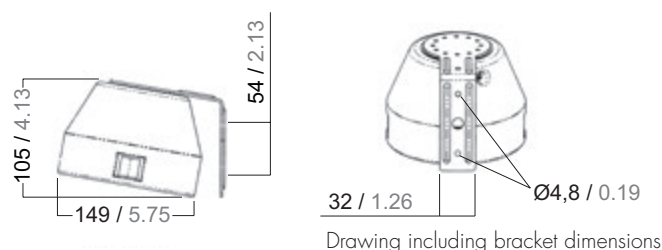
Remark

Can be operated with LED, incandescent and halogen lamps. See bulbs spare parts list.



Description	Wattage	Voltage	Housing colour	Art. no.
LED deck light	5 W	10-30 V	Black	3134213000
			White	3134233000

Spare parts / Extras



Description	Wattage	Voltage	Art. no.
Mounting bracket			63134002 (S)
LED insert	5 W	10-30 V	E-8313421301
Incandescent insert	35 W	12 V	E-9040030600
Halogen insert	50 W	12 V	E-9040030700
Incandescent insert	50 W	24 V	E-9040030800

Upgrade your deck light to LED with aqua signal LED insert. Suitable for Hamburg, Kiel, Luebeck and Series 43 foredeck.



We use Kiel deck light to show the easy change of the light source. It is the same instruction for all named luminaires.



Pull the hook/tab with a screwdriver away from the luminaire to loosen the light source.



Hold the light source with your hand - it is still connected with two cables.



Remove the connection of both cables.



Take the new LED insert and fix it to both connections.



Place the light source into the luminaire again. Pull the hook with a screwdriver to ease its insert. Keep in mind to use the rubber ring to secure ingress protection of the luminaire.



Finally the deck light is running with the new light source.

The Art.no. for the LED module (5 W, 10-30 V) is E-8313421301



www.aquasignal.net

Exterior Lights



Luebeck

LED deck light



Application

Luebeck allows a flexible mounting for individual use with a swivel-mounted bracket. It is 155° rotatable.

Housing

Polished stainless steel, seawater resistant, non-corrosive, non-magnetic

Optics

1 Power LED Module (5W) with lens for optimal light distribution

Protection degree

IP67

Mounting

Adjustable stainless steel bracket with central mounting hole Ø 7 mm

Electric

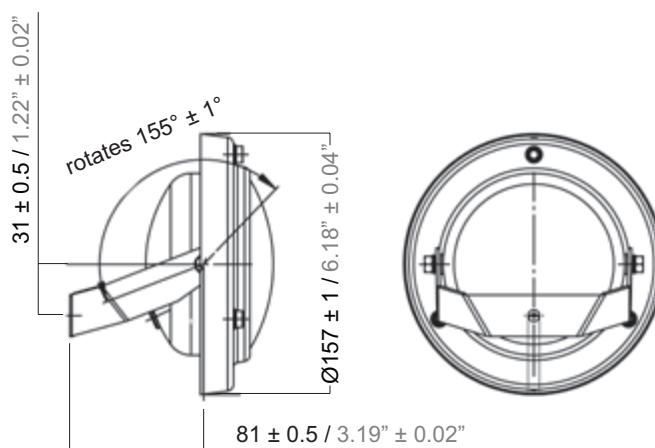
Multivolt, inverse polarity and overvoltage protection included, EMC tested

Light source

1 Power LED Module, 5 W, included, replaceable

Remark

Can be operated with LED and halogen lamps.
See bulbs spare parts list.



Dimensions in: mm / inch

Description	Wattage	Voltage	Housing colour	Art. no.
LED deck light	5 W	10-30 V	Stainless steel	3134701000

Spare parts / Extras

Description	Wattage	Voltage	Art. no.
LED insert	5 W	10-30 V	E-8313421301
Halogen insert	50 W	12 V	E-9040030700





Bergen

Compact designed LED deck light



Application

Bergen has a with a very low profile. It illuminates:

- Decks by mounting on T-tops and hard tops or sailing masts,
- Battery boxes, cabins, engine compartments,
- Entrances on leisure boats while entertaining passengers,
- Bait wells and cutting boards on fishing boats.

Housing

Powder coated aluminum for maximum resistance to corrosion, chemicals and UV damage; seawater resistant, non-magnetic

Optics

Lens for optimal light distribution

Protection degree

IP67

Mounting

Simple installation with minimal mounting hardware.
Mounting direct on surface or with adjustable bracket.
Mounting bracket made from 316 stainless steel.
1.5 m (59 ") connection cable.

Electric

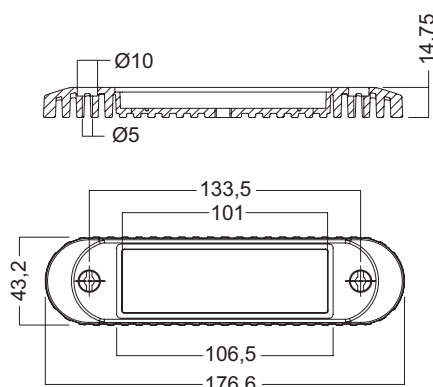
10-30 V Multivolt
Inverse polarity protection included, EMC tested at certified test centre
Amp draw: 12V - 1.14 amp, 24V - 0.54 amp

Light source

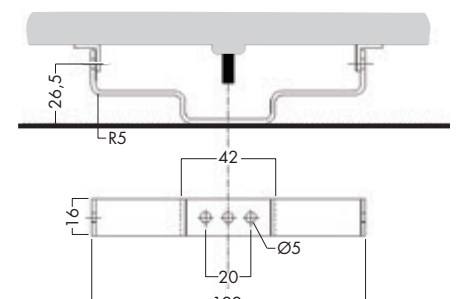
10 W LED with 1200 Lumens, Color Output: white

Remark

Cooling elements at the back



Mounting bracket



Dimensions in: mm

Description	Wattage	Voltage	Housing colour	Art. no.
LED deck light with mounting bracket	10 W	10-30 V	White	3134605005

Exterior Lights



Lima

LED steplight



Application

Fully sealed LED accent lights for indoor and outdoor use. For different applications, e.g. for steps or even livewells.

Housing

High-quality plastic, impact and shock-resistant, watertight

Protection degree

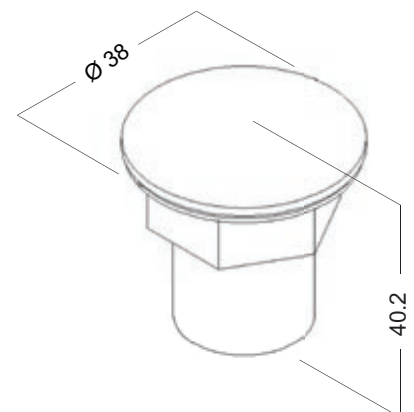
IP68

Mounting

Recessed mounting on suitable mounting location (flat and smooth). Cutout of 22 mm.

Light source

0,3 W LED, 12 V, included



Dimensions in: mm

Description	Wattage	Voltage	Housing colour	Art. no.
LED steplight	0,3 W	12 V	Blue	3716413700
			White	3716412700
			Red	3716415700

Exterior Lights



Cordoba

LED steplight



Application

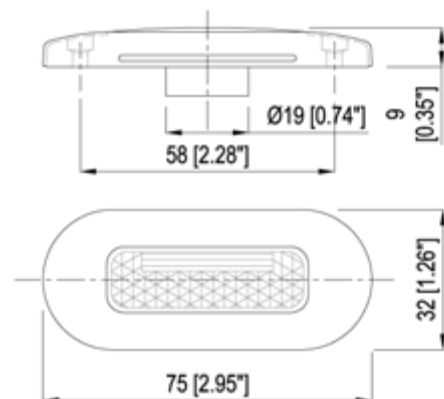
LED Oblong Courtesy Light. Sealed And Waterproof For Outdoor Or Indoor Use. For All Types Of Boats For Interior or Exterior Accent Lighting Or Courtesy Lighting. Includes Stainless Steel Cover.

Mounting

Recess mounting requiring simple $\frac{3}{4}$ " circular cutout. Two mounting screws included

Electric

6" two wire leads, 12V



331203

Description	Wattage	Voltage	Art. no.
Cordoba LED Steplight Oval, blau retail	<1 W	12 V	3716431700
Coroba Led Steplight warm white retail	<1 W	12 V	3716430700

Exterior Lights



Bremen

Approved searchlight



Application

Bremen is a searchlight for nearly every kind of search operations. In addition it has morse capability.

Housing

Rubber black, impact and shock resistant, non-corrosive, non-magnetic

Protection degree

IP68

Mounting

Hand-held searchlight, mounting brackets available

Electric

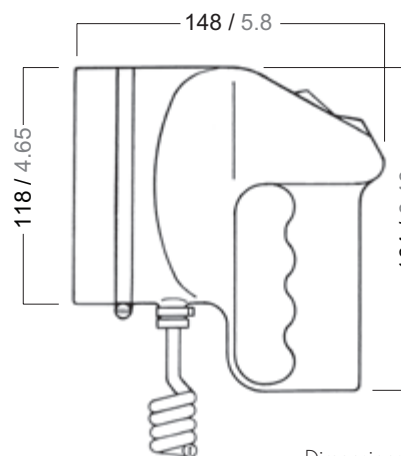
On / off switch, morse, cable 3 m (2 x 0,75 mm²)

Light source

Bulb included

Remarks

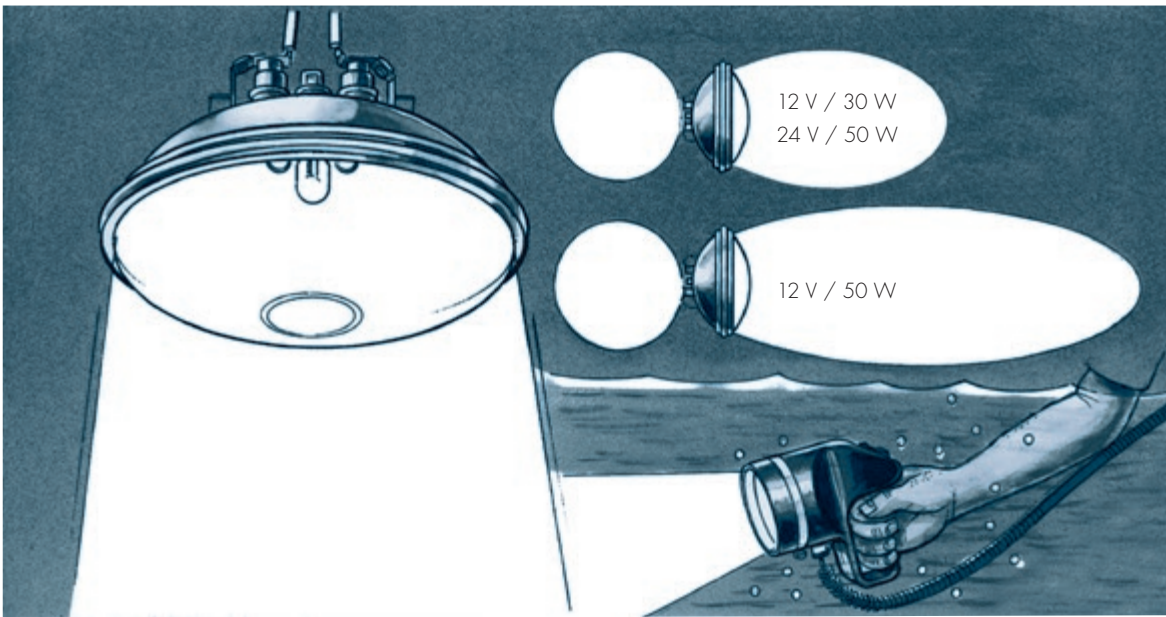
Delivery without brackets, two mounting brackets and plug-in connection available, see spare parts drawing.



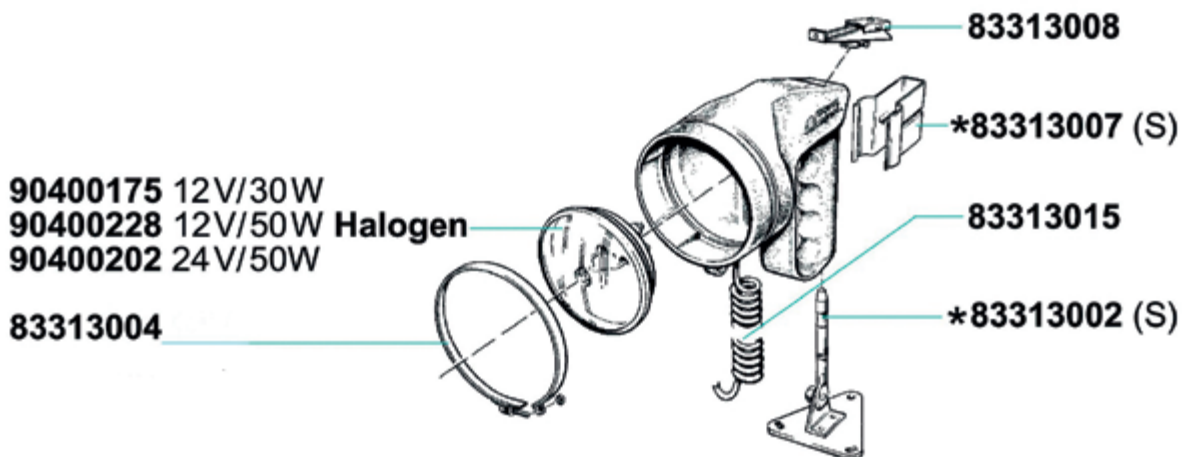
Dimensions in: mm / inch

Description	Wattage	Housing colour	Art. no 12 V	Art. no 24 V
Searchlight	30 W	Black	3313002000	
Searchlight	50 W Halogen	Black	3313004000	
Searchlight	50 W	Black		3313003000

Lighting of different bulbs



Spare Parts / Extras



Exterior Lights



Bremen LED

Approved LED searchlight



Application

Bremen is a energy efficient LED searchlight for nearly every kind of search operations. In addition it has morse capability.

Housing

Rubber black, impact and shock resistant, non-corrosive, non-magnetic

Optics

Fresnel lens, clear cover

Protection degree

IP68

Mounting

Hand-held searchlight, two mounting brackets available

Electric

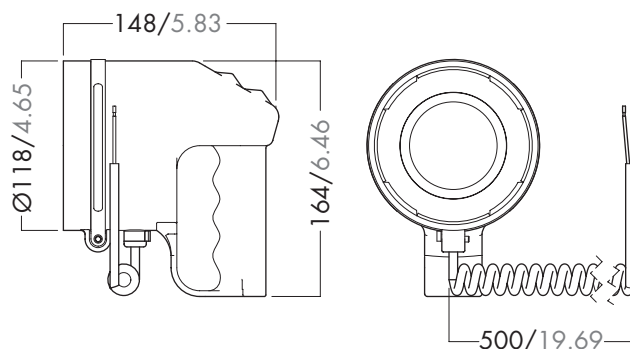
12-24 V, On / off switch, morse, cable 3 m

Light source

12 W LED, included

Remarks

Delivery without brackets. Two mounting brackets and plug-in connections (see page 106) are available.



Dimensions in: mm / inch

Description	Wattage	Voltage	Housing colour	Art. no.
LED Searchlight	12 W	12-24 V	Black	3310001000

Spare Parts

Slip-on bracket	83313002
Clamp bracket	83313007



Island

Strong halogen floodlight



Application

Island is a robust floodlight with stainless steel housing. It gives instant light provided by the halogen lamp.

Housing

Stainless steel deep drawn, seamless, powder-coated white, non-corrosive, non-magnetic, seawater resistant, swivel. No tools are required to open the housing.

Optics

Glass lens, narrow beam

Protection degree

IP67

Mounting

Adjustable brackets stainless steel 316, uncoated, with central mounting hole, dia. 14 mm

Electric

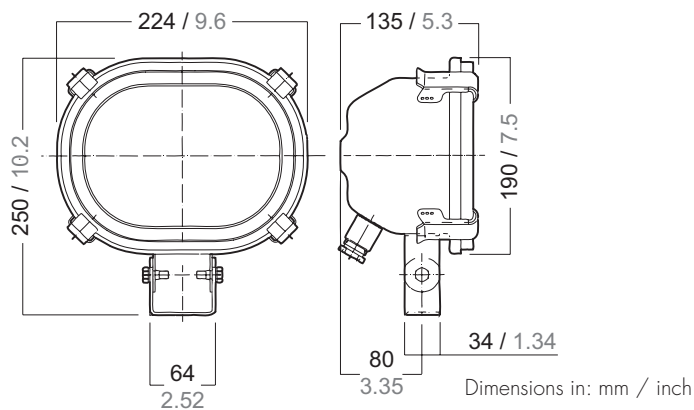
Cable entry brass M20x 1.5 MGCG, 1.5 m cable. Flexible wiring capability allows for AC and DC voltage installations.

Light source

The halogen floodlight is available for different light sources with R7s lamp holder. As a standard Island will be delivered without light sources.

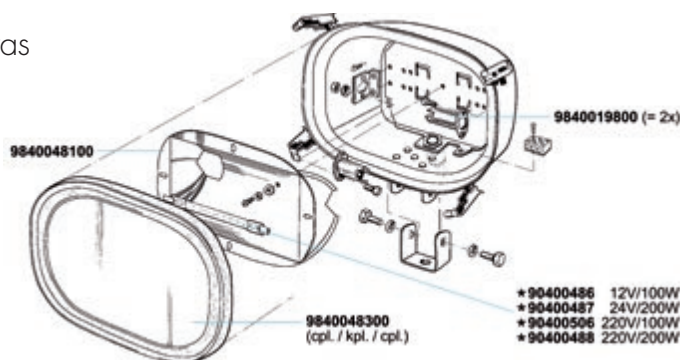
Remarks

More variants are available on request.



Description	Wattage	Housing colour	Voltage	Art. no
Halogen floodlight	100 W, 200 W	Powder-coated white	12 V, 24 V, 110 V, 220 V	1076060000

Spare parts / Extras



Flensburg

Watertight LED multipurpose luminaire



Application

Surface luminaire for sports and fishing boats. The compact dimensions offer optimised use on board, e. g. in stores, engine rooms, holds and gangways.

Housing

White powdercoated RAL 9016

Protection degree

IP67

Mounting

2 mounting holes, Ø 10 mm

Electric

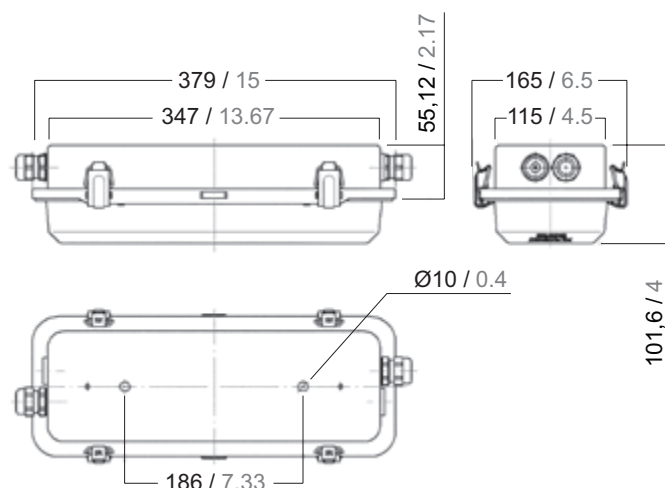
Cable entry brass M18 x 1.5 MGCG, 1.5 m cable

Light source

LED included, 5000 K , 880 lm

Remark

Not EMC tested



Dimensions in: mm / inch

Description	Wattage	Voltage	Housing colour	Art. no 24 V
Watertight multipurpose luminaire, surface	12 W	24 V	White powdercoated RAL 9016	1448585201
Watertight multipurpose luminaire, surface	12 W	220 - 240 V	White powdercoated RAL 9016	3151906000

Exterior Lights

FL40

Powerful LED Floodlight



Application

For various deck areas, to illuminate the environment of the vessel

Design

Designed according to IEC, EN and maritime requirements

Ambient temperature

Operation temperature from -35°C up to +45°C

Housing

Seawater resistant aluminium with stainless steel bracket

Finish

Polyester coated RAL 9016

Optic

Clear safety glass

Electric

Build in driver for 12-24 V DC +/- 20%

Light source

LED 8.000 lm light output, 80 W, in 4000 K or 5000 K light colour temperature and CRI > 80

Mounting

Adjustable bracket of stainless steel 316L, uncoated

Connection

1.5 m pre-connected halogen free cable, Ø 3x 1,5 mm², connection box on request

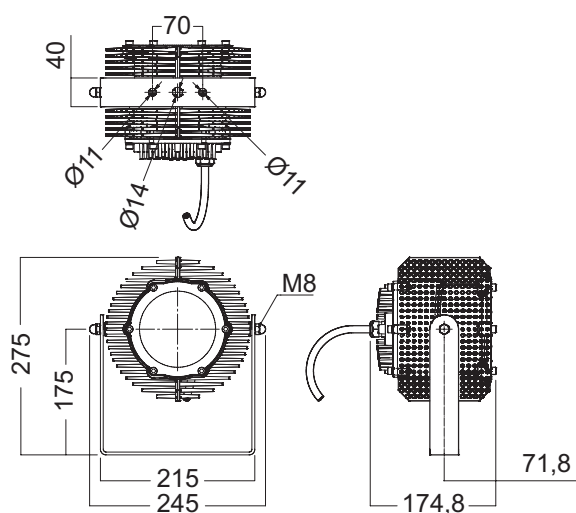
Remarks

FL40 is also available as 110 V - 240 V AC/DC version with DNV GL certificate.





Backside



Dimensions in: mm

Description	Wattage	Voltage	Lumen	Kelvin	Beam °	Art. no
FL40 8000 840 12-24 SB	80 W	12-24 V	8000 lm	4000 K	20°	0940112000
FL40 8000 840 12-24 NB	80 W	12-24 V	8000 lm	4000 K	40°	0940114000
FL40 8000 840 12-24 MB	80 W	12-24 V	8000 lm	4000 K	60°	0940116000
FL40 8000 840 12-24 WB	80 W	12-24 V	8000 lm	4000 K	80°	0940118000
FL40 8000 850 12-24 SB	80 W	12-24 V	8000 lm	5000 K	20°	0940122000
FL40 8000 850 12-24 NB	80 W	12-24 V	8000 lm	5000 K	40°	0940124000
FL40 8000 850 12-24 MB	80 W	12-24 V	8000 lm	5000 K	60°	0940126000
FL40 8000 850 12-24 WB	80 W	12-24 V	8000 lm	5000 K	80°	0940128000



Underwater Lights



Dione
Page 86

Dione..... 86

Underwater Lights



Dione

LED underwater light



Application

Thanks to the simple and easy mounting and slim design, the underwater light Dione is the perfect choice for all kind of boat types and sizes. Easy mounting.

Housing

Polycarbonate, hard anodized and seawater resistant

Optics

Lens for optimal light distribution.

Protection degree

IP68

Mounting

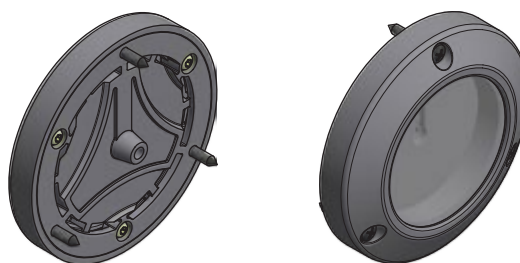
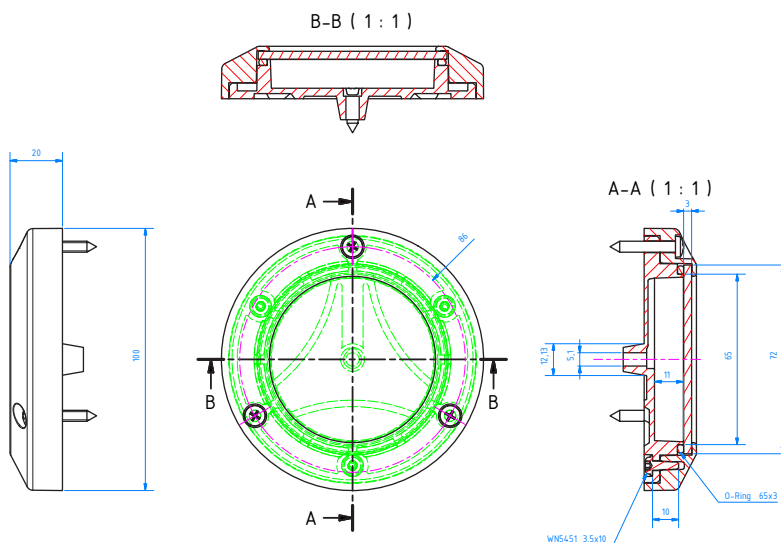
On hull/on surface, for Boats with Steel or Aluminium Hulls, fixing with 3 screws (not included).

Electric

Invers polarity protection included, EMC tested, cable 1.5 m.

Light source

5 W Power LED included, 875 lm light output, light beam angle approx. 35°.



Dimensions in: mm

Description	Wattage	LED	Mounting	Voltage	Housing colour	Art. no.
LED underwater light white	5 W	White	on surface	10-30 V	Silver	3312401001
LED underwater light blue	5 W	Blue	on surface	10-30 V	Silver	3312402001



Navigation lights

Special lights

Exterior lights

Underwater lights

Interior lights

Accessories/Bulbs

Information



Interior Lights



Marseille
Page 90



Calvi LED
Page 92



Malabo
Page 94



Maputo
Page 95



London
Page 96



Colombo
Page 97



Atlanta
Page 98 - 99

Marseille	90
Calvi LED	92
Malabo	94
Maputo	95
London	96
Colombo	97
Atlanta	98 - 99

Marseille

LED red/white chart light



Application

Marseille is an elegant and modern flex-arm table or wall mount reading light. This LED chart light provides red and white light for a better view at night. Its preferred areas of use are the navigation area or as an adjustable reading light.

Housing

Highly finished stainless steel

Mounting

Wall or table mounting

Electric

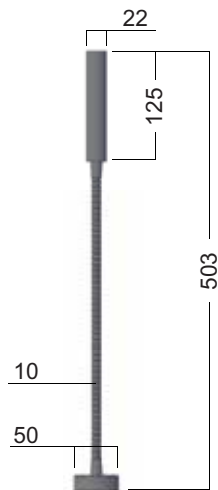
12 V, two way On / Off switch

Light source

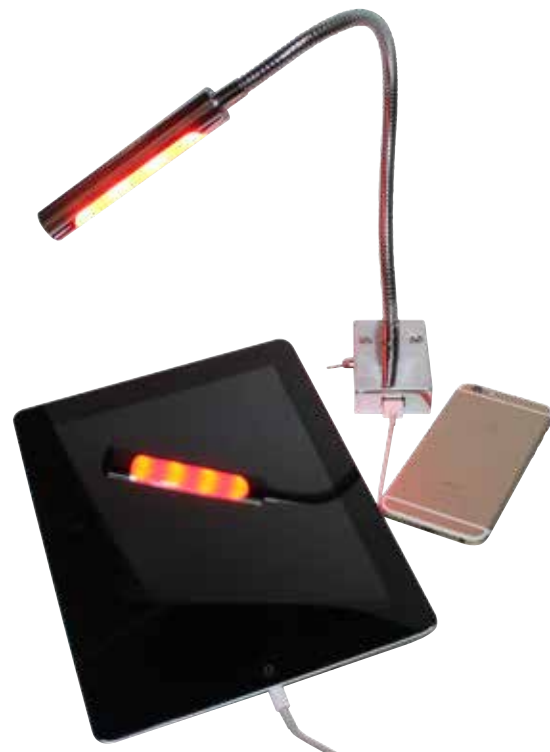
White and red LED module included

NEW

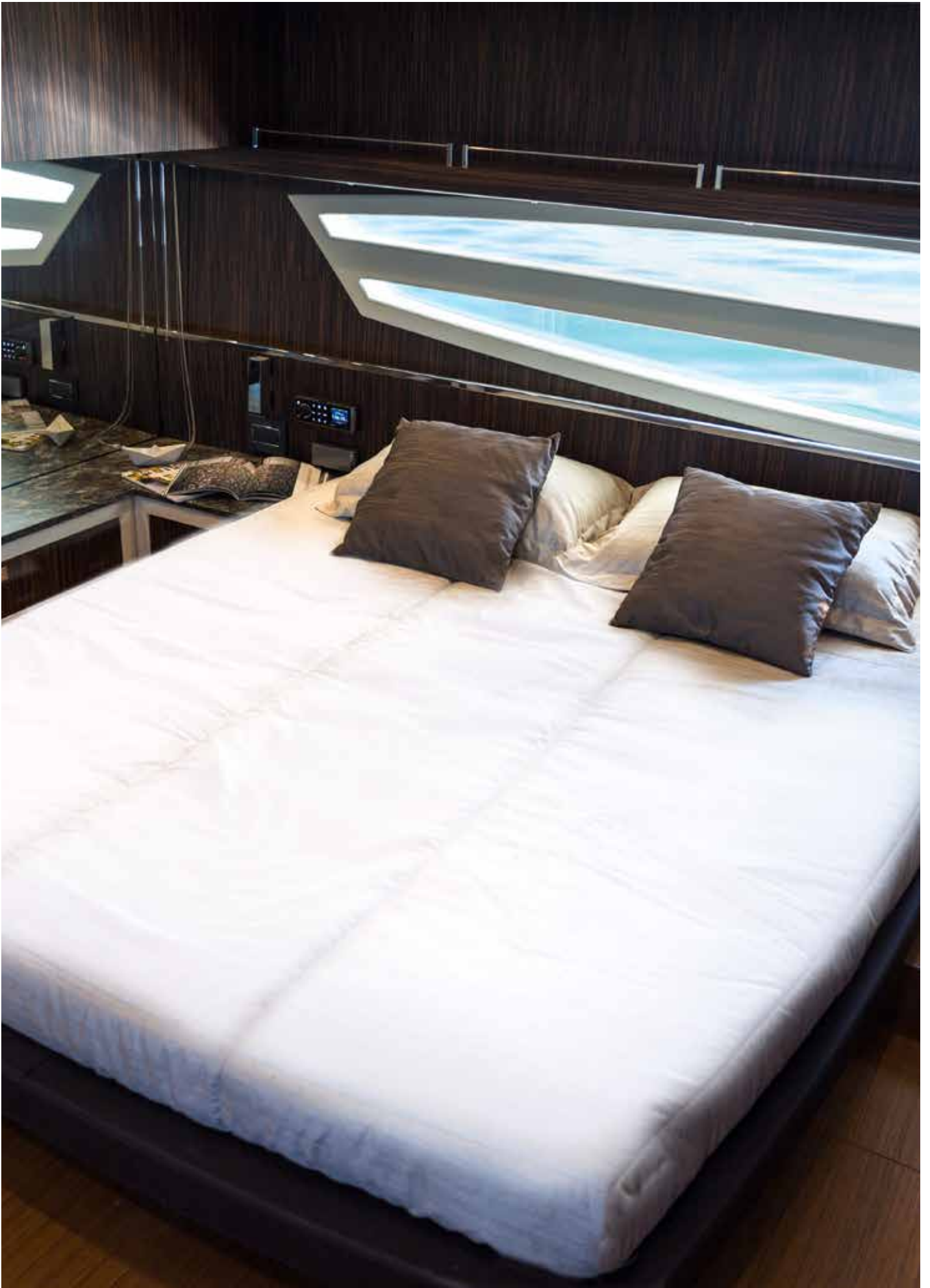
Also available with an integrated USB socket for charging.



Dimensions in: mm



Description	Wattage	Voltage	Housing colour	Art. no.
Marseille LED Reading Light	3 W	12 V DC	Polished stainless steel	1090571800
Marseille LED Reading Light with USB	10 W	12 V DC	Polished stainless steel	1090571900



Navigation lights

Special lights

Exterior lights

Underwater lights

Interior lights

Accessories/Bulbs

Information

Calvi LED

LED reading light



Application

Calvi is the perfect swivel-mounted LED light. The power saving LED technology is well suited for cabins as reading lights as well as chart table lights. The red and white light combination is perfect in this aspect.

Housing

Polycarbonate, impact and shock resistant

Optics

White and red diffuser

Electric

12 V, On / Off switch, 350 mm cable (included)

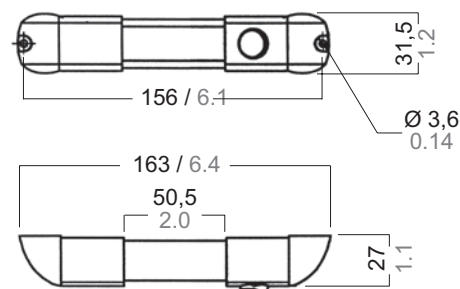
Light source

2 W (small version), 4 W (large version), LEDs included

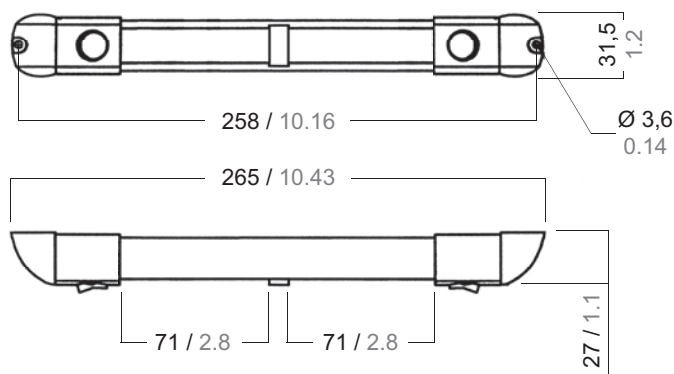
Calvi LED white



Turnable body to adjust the light beam (both versions)



Calvi LED red and white



Dimensions in: mm / inch

Description	Wattage	Voltage	Housing colour	Art. no.
Calvi LED white	2 W	12 V	White	3146300001
Calvi LED red and white	4 W	12 V	White	3146030301



Navigation lights

Special lights

Exterior lights

Underwater lights

Interior lights

Accessories/Bulbs

Information

Interior Lights



Malabo

LED multipurpose interior light



Application

The solution for multipurpose interior lights in salons or engine rooms is our Malabo. The great performing, energy saving LED luminaire convinces with its performance, brightness and slim design.

Housing

Aluminum housing, white colour

Optics

Clear lens

Mounting

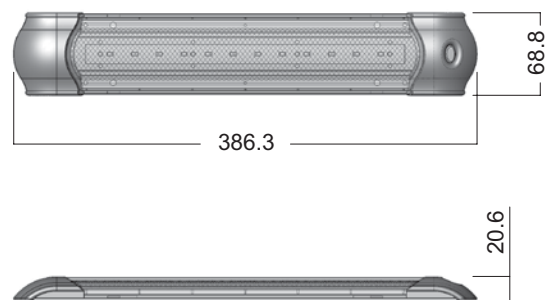
With 4 mounting screws (included)

Electric

12 - 24 V, with illuminated on/off switch

Light source

Power LED Module included



Dimensions in: mm

Description	Mounting	Wattage	Voltage	Housing colour	Art. no.
Malabo	Surface	4.8 W	12 - 24 V	Aluminium silver	3716541100

Interior Lights



Maputo

LED multipurpose interior light



Application

Maputo is a LED multipurpose interior light. Application areas are engine rooms, chart tables or cabins, wall mounted or on ceiling. The red and white combination is perfectly suited for interior applications and for a better view at night.

Housing

Polycarbonate housing

Electric

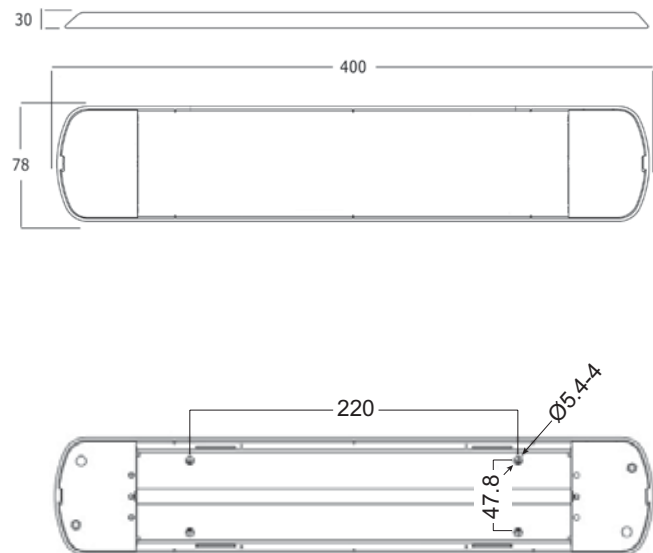
12 - 24 V

Light source

3 W LED included

Remark

Rocker switch, white or red light.



Dimensions in: mm

Description	Mounting	Wattage	Voltage	Housing colour	Art. no.
LED multipurpose light	Surface	< 3 W	12 V, 24 V	White	3716530700

London

LED engine room light



Application

Powerful light in the most strongly room on board. There is no alternative for applications under extrem mechanical strain! For a dynamic lighting in your engine room explore our new slim LED surface mount light with an installation on wall or ceiling. The moulded housing provides optimal result for the IP65 rating!

Housing

Polycarbonat IP65

Mounting

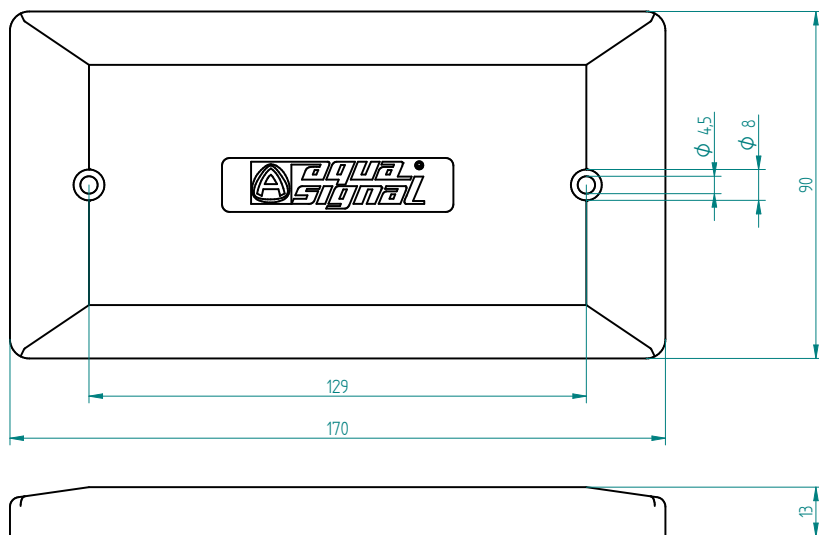
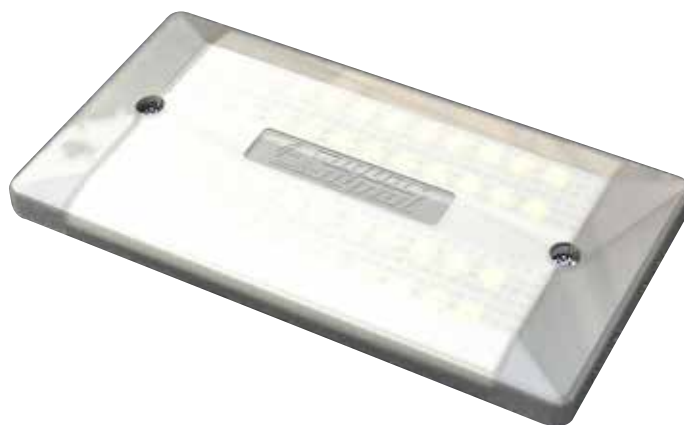
Requires 2 mounting screws (included)

Light Source

7W LED included, 6000 K

Electric

12 V or 24 V



Beschreibung	Mounting	Wattage	Voltage	Housing colour	Art. no.
London LED light	Surface	7 W	12 V	White	3120001200
London LED light	Surface	7 W	24 V	White	3120001201

Interior Lights



Colombo

LED dome light



Application

Colombo is a classic dome light in white or stainless steel housing colour. It provides white and red light with low power consumption. Warm white for natural setting like living spaces and red for cockpits and steering stations.

Housing

Polycarbonate or Stainless Steel

Mounting

Surface mount

Electric

12 V

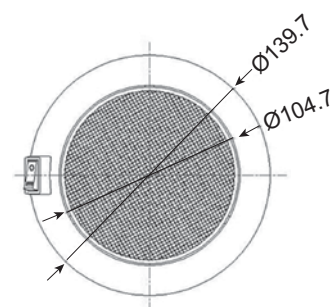
Light source

2 W LED (white) and 1 W LED (red) included

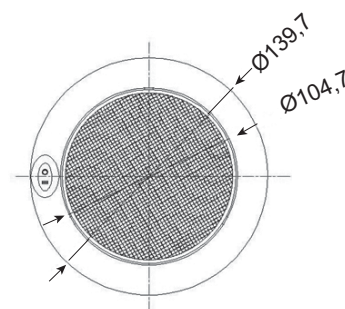
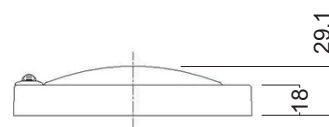
Remark

Is available with rounded, white housing and in angular shaped, stainless steel housing.

LED dome light rounded, white



LED dome light angular, stainless steel



Dimensions in: mm

Description	Mounting	Wattage	Voltage	Housing colour	Art. no.
LED dome light rounded	Surface	< 2 W, white / < 1 W, red	12 V	White	3716602700
LED dome light angular	Surface	< 2 W, white / < 1 W, red	12 V	Stainless steel	3716601700

Atlanta

LED Downlight



Application

Dimmable, elegant, energy-efficient LED Downlight. Create a pleasant atmosphere with the specially developed precision optic which enables our new LED Downlights Atlanta a homogeneous illumination! Our interior lights are available in white and with a white/red combination, which is also dimmable!

Housing

Polycarbot with chrome trim ring or stainless steel

Mounting

Recess mount with springs or screws; dimension see below picture

Light Source

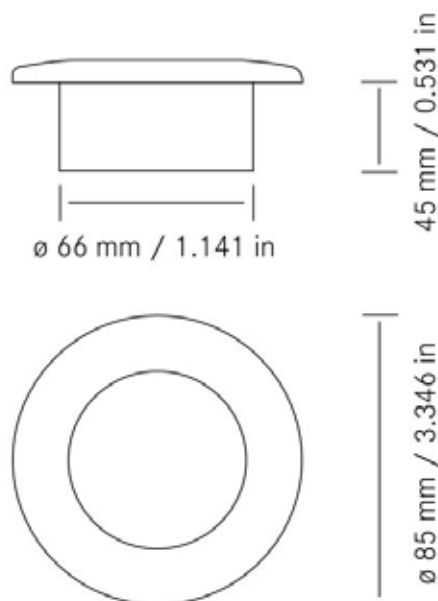
6W LED included / 400lm

Electric

10-30V DC

Remarks

Refit your Halogen interior light Atlanta. Also available with stainless steel trim ring.



Dimensions in: mm

Description	Mounting	Wattage	Voltage	Housing colour	Itemno.
Atlanta LED white	Downlight	6W	10-30V DC	chrome	3107011010
Atlanta LED red/white	Downlight	6W	10-30V DC	chrome	3107011011
Atlanta LED white	Downlight	6W	10-30V DC	stainless steel	3107013010
Atlanta LED red/white	Downlight	6W	10-30V DC	stainless steel	3107013011

Interior Lights



Atlanta mini

High power mini LED



Our new Atlanta mini LED is providing a good illumination in even the smallest rooms, with high power LED and a small footprint.

Housing

Polycarbonat with chrome trim ring / IP50

Mounting

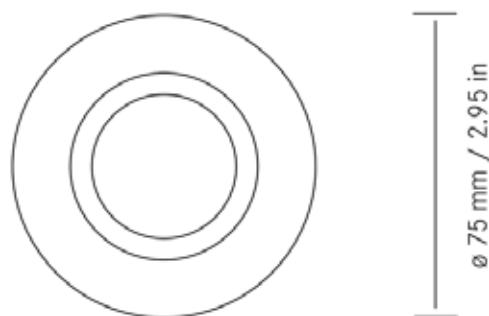
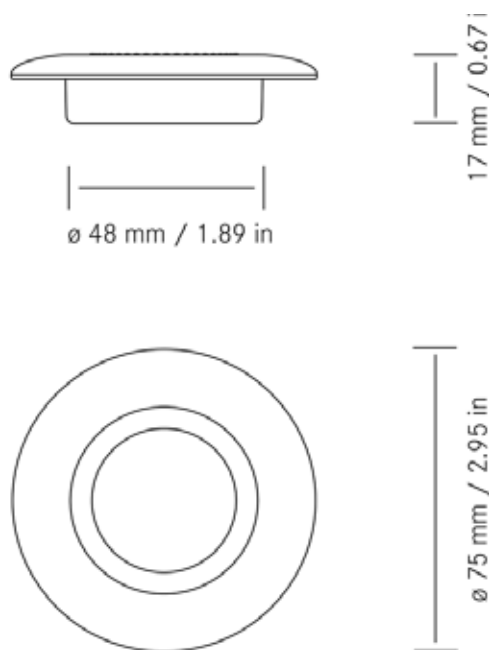
Recessed mount with stainless steel screws

Light Source

3W LED included / 200lm

Electric

10-30V DC



Dimensions in: mm

Description	Mounting	Wattage	Voltage	Housing colour	Itemno.
Atlanta LED mini white	Downlight	3W	10-30V DC	chrome	3107012010
Atlanta LED mini red/white	Downlight	3W	10-30V DC	chrome	3107012012



Accessories / Bulbs



Plug connector –
horizontal
Page 102



Plug connector –
vertical
Page 102



Control panel
Page 103



Quick connector
Page 104



Bulbs
Page 106 - 107

Plug connectors	102
Control panel	103
Quick connector	104
Bulbs	106–107

5 pole Plug connectors

Watertight Plug Connectors



Application

5 pole plug connectors with vertical and horizontal mounting option. Watertight fittings to replace any existing deck mounted accessories. Can also be used for accessories on the mast and for easy connection of conductors when mast is stepped or removed. Designed for interior and exterior installation (-30°C to +130°C).

Housing

Polycarbonate black, impact and shock resistant, non-corrosive, non-magnetic, seawater resistant

Protection Degree

IP65

Mounting

With 2/4 screws, Ø 4 mm / 0.16" (not included)

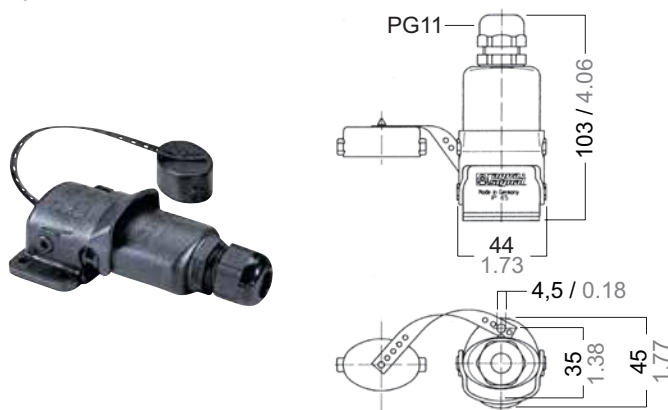
Electric

42 V, 16 A

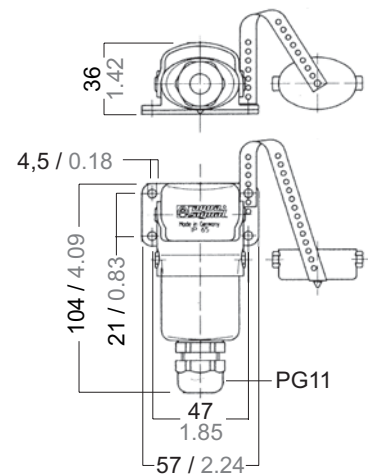
Remark

Test winner awarded by magazine segeln (11/2013).

Plug connection – horizontal



Plug connection – vertical



Dimensions in: mm / inch

Description

Plug connection – horizontal

Plug connection – vertical

Housing colour

Black

Black

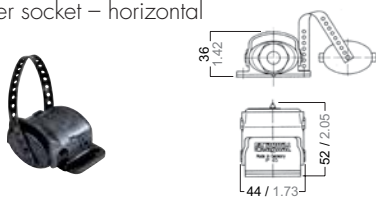
Art. no.

3928001000

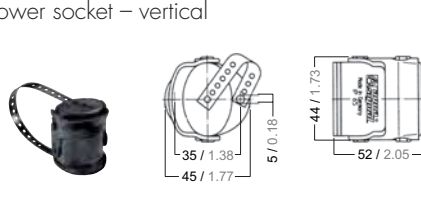
3928002000

Spare parts / Extras

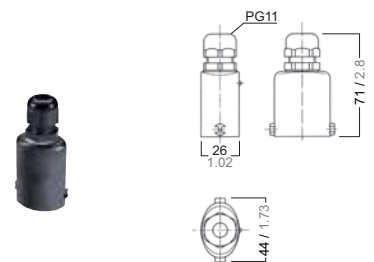
Power socket – horizontal



Power socket – vertical



Plug



Dimensions in: mm / inch

Description

Power socket – horizontal

Power socket – vertical

Plug

Housing colour

Black

Black

Black

Art. no.

8392800100

8392800200

8392800300

Control panel

Switch an fuse panels



Application

With prewired plug connection.

Housing

Aluminium, black, non-magnetic, seawater resistant. 6 switches, 6 display diodes and 23 self-adhesives stickers.

Connectors

For crimp-sockets 6.3 mm

Mounting

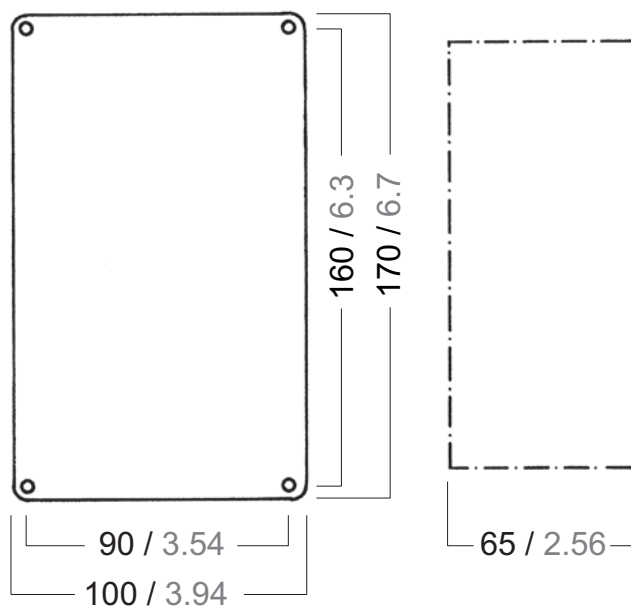
Recessed mounting

Electric

12 V or 24 V

Panel

with 6 automatic circuit breakers



Dimensions in: mm / inch

Description	Voltage	Housing colour	Art. no.
Panel with 6 automatic circuit breakers 10 A	12 V; 24 V	Black	3447004000

Quick connector series 44

Two pole connector for the waterproof installation



Technical information and instruction

Small voltage; max. 32V DC and for two core cable with maximum exterior diameter of 5,5 mm. Conductor cross section max. 1,5mm²/ contact inserts wire protection is included.

Housing parts

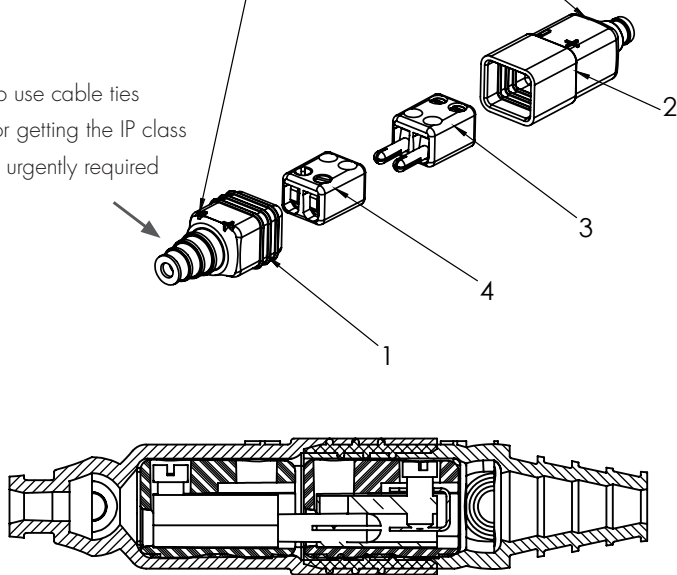
Silicone, seawater resistant, UV and ozone stable.

Material for contact insert: Contact inserts: brass nickel plated wire protection is included

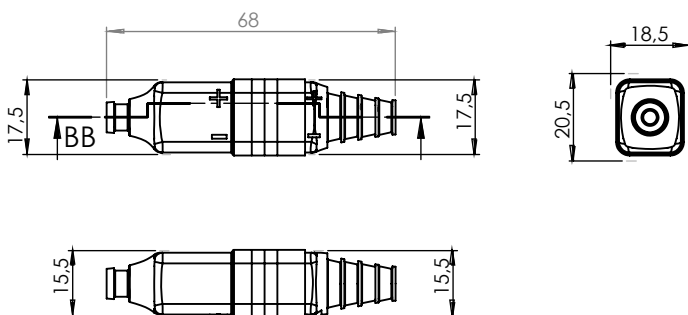
Material for insulator: polyamide

Housing parts: silicone, seawater resistant, UV and ozone stable

To use cable ties for getting the IP class is urgently required



plug in : protection class IPX7

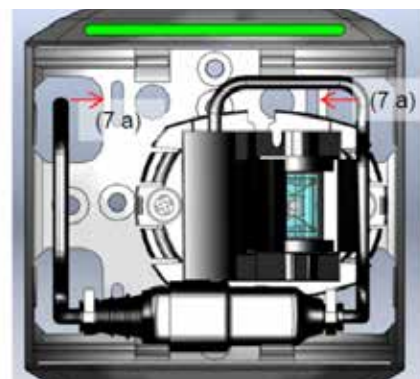
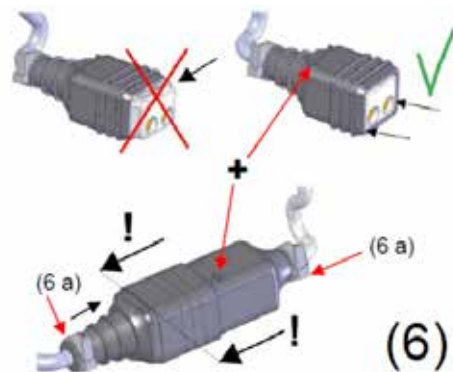


Installation

For the installation, two core cables with a maximum exterior diameter of 5,5 mm is recommended. The end of the line is to pull through the enclosed rubber grommet (5a). After being stripped, the cable ends can be attached to the screws terminals with wire protection (6). Make sure that the polarity is correct. Then fully retract the clamp in the rubber grommet (6).

In order to assure that the plug connection is watertight and protected against flooding, the cable feed must be sealed at the insulation housing with cable ties (6a)

So the cover can be securely clicked on, the cables must be routed as shown in (7). The cables are secured to the wall bracket with cable ties (7a).



Description

Voltage

Housing colour

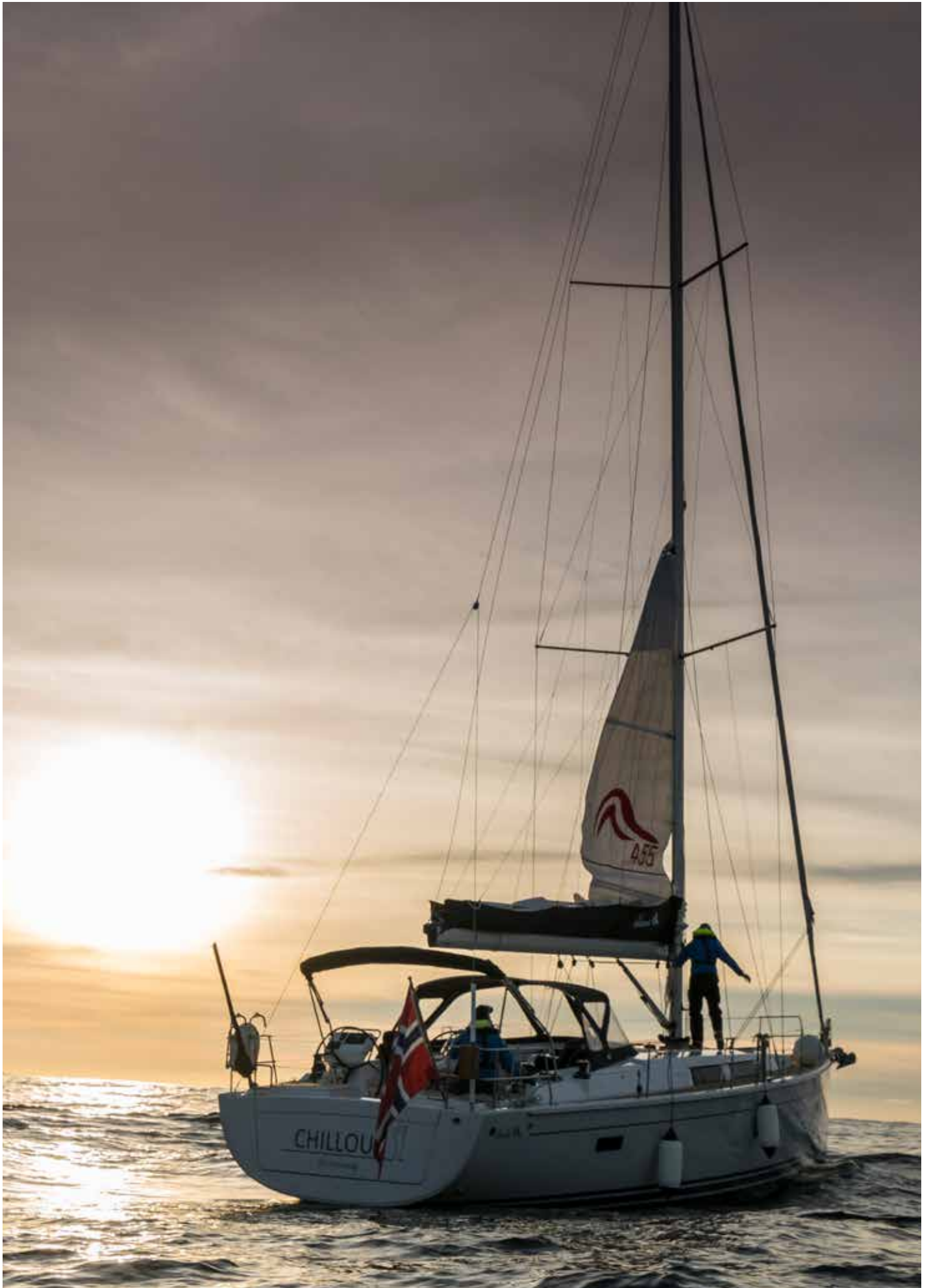
Art. no.

Quick connector series 44

32V DC

Black



E-8365000100



Bulbs



Preview	Voltage	Watt	Socket	Description	Use	Article number
	12 V	25 W	BAY 15 D	Special bulb bayonet 12 V / 25 W	Navigation lights Series 40 - 50	E-9040000200 (1 piece)
	24 V	25 W	BAY 15 D	Special bulb bayonet 24 V / 25 W	Navigation lights Series 40 - 50	E-9040000300 (1 piece)
	12 V	10 W	BAY 15 D	Special bulb bayonet 12 V / 10 W	Navigation lights Series 40 - 50	E-9040000500 (1 piece)
	24 V	10 W	BAY 15 D	Special bulb bayonet 24 V / 10 W	Navigation lights Series 40 - 50	E-9040000600 (1 piece)
	12 V / 24 V	8 W		Strobe tube 12 V / 24 V 8 W	Navigation lights Series 40 Strobe	E-2354500900 (1 piece)
	12 V	20 W	BA 9s	Halogen lamp 2 V / 20 W	Navigation lights Series 25	9040047000 (1 piece)
	12 V	100W	R7s	Halogen rod R7s 12 V / 100 W	Deck spotlight Island	9840104700 (1 piece)
	24 V	200 W	R7s	Halogen rod R7s 24 V / 200 W	Deck spotlight Island	9840104800 (1 piece)
	24 V	10 W	G 4	G4 Halogen lamp 24 V / 10 W	Interior lights	9040056100 (1 piece)
	24 V	20 W	G 4	G4 Halogen lamp 24 V / 20 W	Interior lights	9040025300 (1 piece)
	12 V	10 W	Festoon	SV 8,5-8 41 mm festoon 12 V / 10 W	Navigation lights Series 25 (from the middle of 2010)	9040017700 (1 piece)
	24 V	10 W	Festoon	SV 8,5-8 41 mm festoon 24 V / 10 W	Interior lights / Navigation lights Series 25 (from the middle of 2010)	9049019100 (10 pieces)
	12 V	10 W	Special Festoon	Special bulb, festoon 12 V / 10 W, mixed package of 2 pieces 9040020000 + 2 pieces 9040017700 (festoon)	Navigation lights Series 25 (up to the middle of 2010)	E-9049020001 (4 pieces)

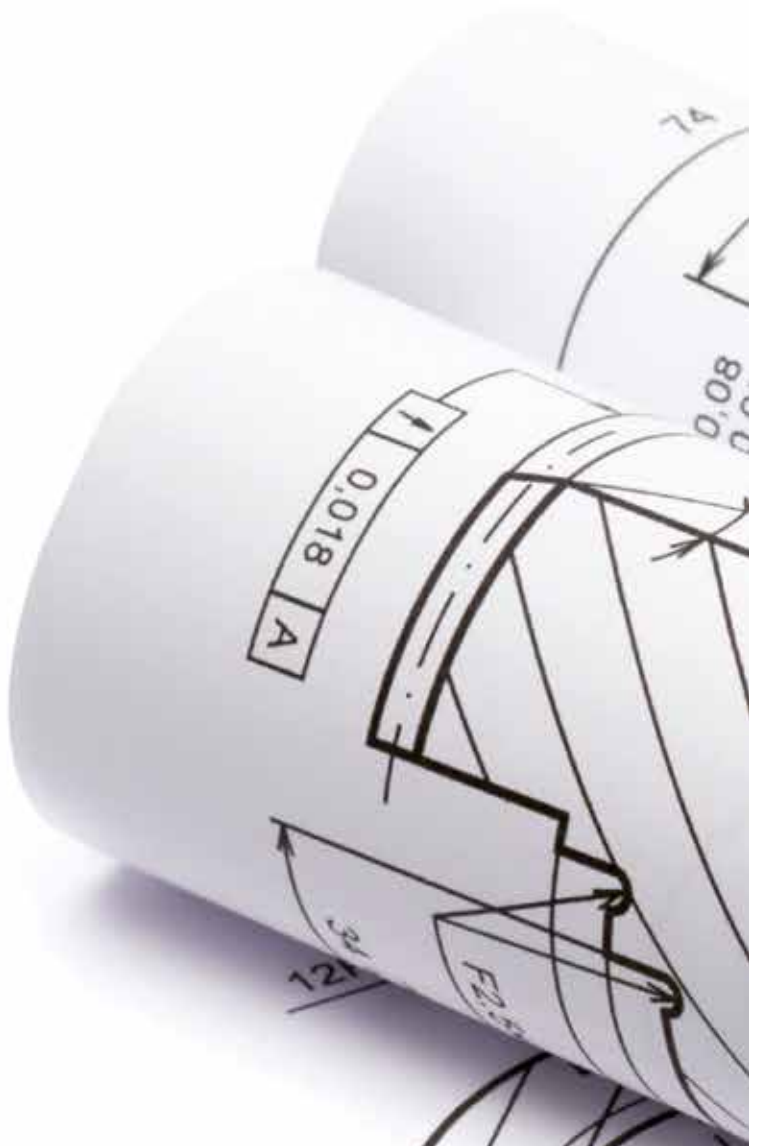
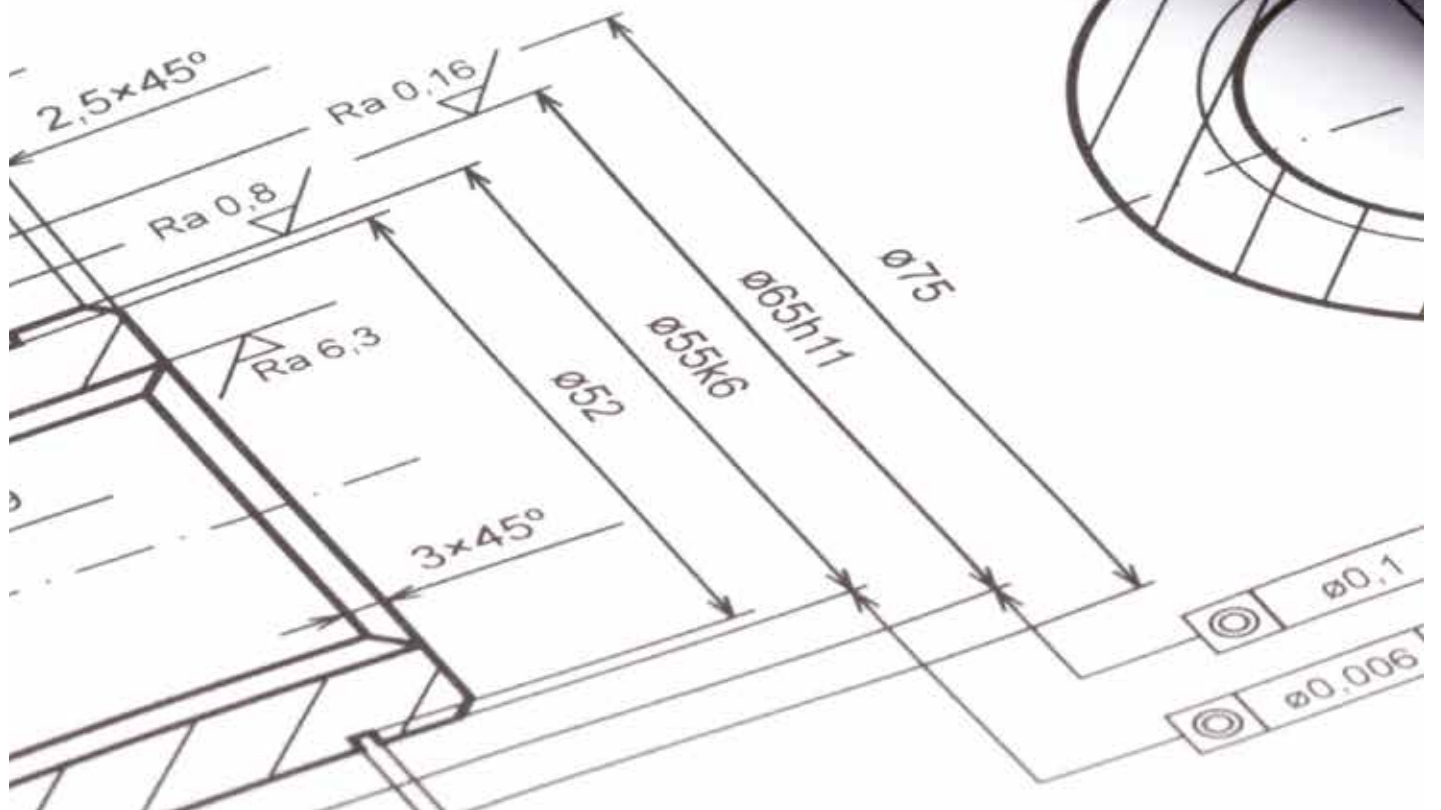
Preview	Voltage	Watt	Socket	Description	Use	Article number
	12 V	35 W	PAR36	Sealed Beam 12 V / 35 W	Deck spotlights	E-9040030600 (1 piece)
	24 V	50 W	PAR36	Sealed Beam 24 V / 50 W	Deck spotlights	E-9040030800 (1 piece)
	12 V	50 W	PAR36	Sealed Beam 12 V / 50 W Halogen	Deck spotlights	E-9040030700 (1 piece)
	12 V	35 W	PAR36	Sealed Beam 12 V / 35 W	Searchlights	E-9040017500 (1 piece)
	24 V	50 W	PAR36	Sealed Beam 24 V / 50 W	Searchlights	E-9040020200 (1 piece)
	12 V	50 W	PAR36	Sealed Beam 12 V / 50 W Halogen	Searchlights	E-9040022800 (1 piece)
	10 V - 30 V	5 W	PAR36	LED insert	Deck lights Hamburg, Kiel, Luebeck, Foredeck light (Series 43 and Series 41)	E-8313421301

Note:

The bulbs used in the navigation lights are part of the approval / certification. Spare bulbs must also be approved.

In the case of a claim being made on an insurance policy you risk loss of your insurance cover if your equipment does not comply with regulations.

In the interest of your own safety we recommend that you only use approved material.



Information

Navigation Lights User Guide.....	110 - 111
Visibility Requirements.....	112
Classifications.....	114 - 118
Approvals.....	119
OEM Article Numbers.....	120 - 123
Alphabetic product index.....	124

Navigation Lights User Guide

The information shown is based on the International Regulations Preventing Collisions at Sea 1972 (IMO).
(No responsibility is accepted for any errors or omissions in information given.)

Sailing vessels less than 20 m L.O.A. (*may also be performed)



1 Tricolor sailing light



- * 1 All-round red
- * 1 All-round green
- 1 Port
- 1 Starboard
- 1 Stern



- * 1 All-round red
- * 1 All-round green
- 1 Bicolor side lantern
- 1 Stern

Sailing vessels more than 20 m L.O.A.



- * 1 All-round red
- * 1 All-round green
- 1 Port
- 1 Starboard
- 1 Stern

Powercraft underway, less than 7 m L.O.A. max. speed 7 knots including yacht under power



1 All-round white

Powercraft underway, less than 20 m L.O.A.



- 1 Masthead
- 1 Port
- 1 Starboard
- 1 Stern



- 1 Masthead
- 1 Bicolor
- 1 Stern

Powercraft underway, less than 12 m L.O.A. when masthead and stern can't be mounted. Motor driven vessels 12 m up to 20 m L.O.A.



- 1 All-round white
- 1 Bicolor



- 1 All-round white
- 1 Port
- 1 Starboard

Motor driven vessels 12 m up to 20 m L.O.A.



- 1 Masthead
- 1 Bicolor
- 1 Stern



- 1 Masthead
- 1 Port
- 1 Starboard
- 1 Stern



- 1 Masthead
- 1 Port
- 1 Starboard
- 1 Stern

Motor driven and sailing boats restricted in manoeuvrability more than 12 m LOA



- In addition to prescribed navigation light:
- 2 All-round red
 - 1 All-round white

Motor driven and sailing boats at anchor, aground or at pier

Less than 50 m



1 All-round white

From 12 m aground



- 1 All-round white
- 2 All-round red in vertical line

Less than 50 m at pier



- 1 All-round white showing out on boardside

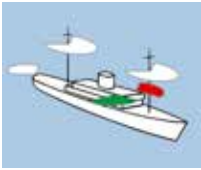
Motor driven and sailing boats not under command more than 12 m L.O.A.



- In addition to starboard, port and stern lights:
- 2 All-round red in vertical line

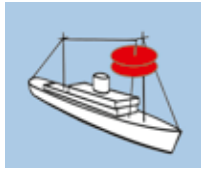
Vessels up to 50 m in length (vessels less than 50 m in length only need 1 masthead and 1 anchor light)

under way



- 2 Masthead
- 1 Port
- 1 Starboard
- 1 Stern

not under command



- 2 All-round red

restricted in manoeuvrability



- 2 Masthead
- 1 Port
- 1 Starboard
- 2 All-round red
- 1 All-round white
- 1 Stern

at anchor



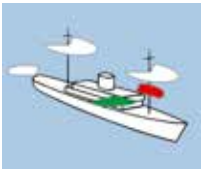
- 2 All-round white

aground



- 2 All-round red
- 2 All-round white

Pilot vessels on duty



- 1 All-round white
- 1 All-round red
- 1 Port
- 1 Starboard
- 1 Stern

Police vessels on duty



- 1 Flashing light
- 1 Masthead
- 1 Port
- 1 Starboard
- 1 Stern

Motor driven vessels up to 12 m LOA



- 1 Masthead
- 1 Port
- 1 Starboard
- 1 Stern

Fishing vessels on duty



- 1 All-round green
- 1 All-round white
- 1 Masthead
- 1 Port
- 1 Starboard
- 1 Stern

under way, no speed



- 1 All-round red
- 2 All-round white

Dredging and underwater work

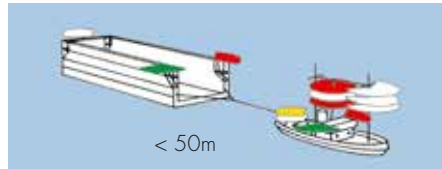


- 4 All-round red
- 1 All-round white
- 2 All-round green



- 4 All-round red
- 2 All-round green
- 1 All-round white
- 2 Masthead
- 1 Port
- 1 Starboard

Towing and pushing vessels in operation



- 3 Masthead
- 2 All-round red
- 1 All-round white
- 2 Port
- 2 Starboard
- 2 Stern
- 1 Stern yellow

Floating accessories



- 1 All-round white

Vessels restricted by their draught



- 3 All-round red
- 2 Masthead
- 1 Port
- 1 Starboard
- 1 Stern

Mine sweeping vessels



- 3 All-round Green
- 2 Masthead
- 1 Port
- 1 Starboard
- 1 Stern

The LED Navigation Lights are equipped with an automated control system which becomes effective automatically after 20,000 runtime hours, so as to rule out possible failure. The age of the lights is easily detected by the crew from the blinking signals it emits when it is switched on. The automated control system conforms to the latest BSH regulations.

Runtime sample calculation:

20,000 hours runtime by an action time of 8 hours over 120 days, will amount to a runtime of more than 20 years.

Visibility Requirements

Please refer to the table below to see what the definition of the IMO COLREGS 1972 is with regards to the relation between the requested visibility per type of navigation light and the length and type of boat or vessel where applied.

Required visibility in nautical miles (nm)						
Type of navigation light	Angle	Type of boat	Boats < 12 m / 39 ft	Boats < 20 m / 65 ft	Boats < 50 m / 164 ft	Boats > 50 m / 164 ft
Starboard	112,5°	Sailing and motor boats	1 nm	2 nm	2 nm	3 nm
Port	112,5°	Sailing and motor boats	1 nm	2 nm	2 nm	3 nm
Stern	135°	Sailing and motor boats	2 nm	2 nm	2 nm	3 nm
Masthead	225°	Motor boats	2 nm	3 nm	5 nm	6 nm
All-round	360°	Sailing and motor boats	2 nm	2 nm	2 nm	3 nm
Bicolor	112,5° / 112,5°	Sailing and motor boats	1 nm	2 nm		
Tricolor	112,5° / 112,5° / 135°	Sailing boats	1 - 2 nm	2 nm		

Visibility of aqua signal navigation lights in nautical miles (nm)						
Type of navigation light	Angle	Type of boat	Series 20, 25	Series 34, 40, 41, 43, 50	Series 55	Series 70, 70M, 70D
Starboard	112,5°	Sailing and motor boats	1 nm	2 nm	2 nm	3 nm
Port	112,5°	Sailing and motor boats	1 nm	2 nm	2 nm	3 nm
Stern	135°	Sailing and motor boats	2 nm	2 nm	2 nm	3 nm
Masthead	225°	Motor boats	2 nm	3 nm	5 nm	6 nm
All-round	360°	Sailing and motor boats	2 nm	2 nm	2 nm	3 nm
Bicolor	112,5° / 112,5°	Sailing and motor boats	1 nm	2 nm		
Tricolor	112,5° / 112,5° / 135°	Sailing boats	1 - 2 nm	2 nm		

For example:

According to IMO COLREGS 1972 aqua signal series 40, 41 and 50 can be used on boats < 50 m / 164 ft. with only one exception which is the masthead light since this one has to have 5 nm visibility instead of 3 nm.



Navigation lights

Special lights

Exterior lights

Underwater lights

Interior lights

Accessories/Bulbs

Information

Overview of classifications for Navigation Lights per country

Country:		AUS	B	CDN	D	DK	E	F	FIN	GB	GR	I
Classification society Authority:		AMSA	BZI	DOT	BSH	DMA	DGMM	MMF	MKH	MCA	MOMM	RINA
aqua signal Series 20	Visibility (nm)							*		*	*	*
Stern	2	Z1	W0	Z3	--	Z2	--	A2	--	P2	P2	W2
Allround white	2	Z1	W0	Z3	--	Z2	--	A2	--	P2	P2	W2
Starboard / Port	1	Z1	W0	Z3	--	Z2	--	A2	--	P2	P2	W2
Masthead	2	Z1	W0	Z3	--	Z2	--	A2	--	P2	P2	W2
Bicolor	1	Z1	W0	Z3	--	Z2	--	A2	--	P2	P2	W2
aqua signal Series 25	Visibility (nm)							*	*	*	*	*
Stern	2	Z1	W0	Z3	--	Z2	--	A2	A2	A2	A2	A2
Allround green	2	Z1	W0	Z3	--	Z2	--	A2	--	A2	--	--
Allround red	2	Z1	W0	Z3	--	Z2	--	A2	--	A2	--	--
Allround white	2	Z1	W0	Z3	--	Z2	--	A2	A2	A2	A2	A2
Starboard / Port	1	Z1	W0	Z3	--	Z2	--	A2	A2	A2	A2	A2
Masthead	2	Z1	W0	Z3	--	Z2	--	A2	A2	A2	A2	A2
Masthead / foredeck combination	2	Z1	W0	Z3	--	Z2	--	A2	A2	A2	A2	A2
Bicolor	1	Z1	W0	Z3	--	Z2	--	A2	A2	A2	A2	A2

Country:		AUS	EU	CDN	J	N	NZ
Classification society Authority:		AMSA	Wheelmark	DOT	NK	NMD	MNZ
aqua signal Series 34 (LED)	Visibility (nm)		*			*	
Tricolor	3	Z1	S4	Z3	Z2	--	Z1
Tricolor / Anchor	2	Z1	S4	Z3	Z2	--	Z1
Stern	2	Z1	A7	Z3	Z2	--	Z1
Allround green	2	Z1	A4	Z3	Z2	--	Z1
Allround red	2	Z1	A4	Z3	Z2	--	Z1
Allround white	2	Z1	A4	Z3	Z2	--	Z1
Starboard / Port	2	Z1	A7	Z3	Z2	--	Z1
Masthead	3	Z1	A4	Z3	Z2	--	Z1
Masthead / Anchor	3 , 2	Z1	A4	Z3	Z2	--	Z1
Bicolor	2	Z1	A7	Z3	Z2	--	Z1
aqua signal Series 40	Visibility (nm)		*			*	
Tricolor	2	Z1	S4	Z3	Z2	A4	Z1
Tricolor / Anchor	2	Z1	S4	Z3	Z2	A4	Z1
Stern	2	Z1	A4	Z3	Z2	A4	Z1
Stern yellow	2	Z1	A4	Z3	Z2	A4	Z1
Allround green	2	Z1	A4	Z3	Z2	A4	Z1
Allround red	2	Z1	A4	Z3	Z2	A4	Z1
Allround white	2	Z1	A4	Z3	Z2	A4	Z1
Starboard / Port	2	Z1	A4	Z3	Z2	A4	Z1
Masthead	3	Z1	A4	Z3	Z2	A4	Z1
Masthead / Anchor	3nm , 2nm	Z1	A4	Z3	Z2	A4	Z1
Bicolor	2	Z1	A4	Z3	Z2	A4	Z1

IS	J	N	NL	NZ	PL	PRC	RA	RC	RUS	S	USA	ZA	Others
						*					*	*	*
--	Z2	--	W0	Z1	P2	--	--	Z2	--	Z2	P4+A5	P2	P2
--	Z2	--	W0	Z1	P2	--	--	Z2	--	Z2	P4+A5	P2	P2
--	Z2	--	W0	Z1	P2	--	--	Z2	--	Z2	P2	P2	P2
--	Z2	--	W0	Z1	P2	--	--	Z2	--	Z2	P2	P2	P2
--	Z2	--	W0	Z1	P2	--	--	Z2	--	Z2	P2	P2	P2
*		*			*		*				*		*
A1	Z2	A2	W0	Z1	A2	--	A2	Z2	--	Z2	A4+A5	--	A2
--	Z2	A2	W0	Z1	A2	--	A2	Z2	--	Z2	--	--	A2
--	Z2	A2	W0	Z1	A2	--	A2	Z2	--	Z2	--	--	A2
A1	Z2	A2	W0	Z1	A2	--	A2	Z2	--	Z2	A4+A5	--	A2
A1	Z2	A2	W0	Z1	A2	--	A2	Z2	--	Z2	A2	--	A2
A1	Z2	A2	W0	Z1	A2	--	A2	Z2	--	Z2	A2	--	A2
--	Z2	A2	W0	Z1	A2	--	A2	Z2	--	Z2	--	--	A2
--	Z2	A2	W0	Z1	A2	--	A2	Z2	--	Z2	A2	--	A2

PRC	RA	RC	RUS	USA	ZA	Others
CCS	PNA	CCRS	RS	USCG	DOT	GL
	*					*
--	--	Z2	--	Z4	--	A2+A5
--	--	Z2	--	Z4	--	A2+A5
--	--	Z2	--	Z4	--	A2+A5
--	--	Z2	--	Z4	--	A2+A5
--	--	Z2	--	Z4	--	A2+A5
--	--	Z2	--	Z4	--	A2+A5
--	--	Z2	--	Z4	--	A2+A5
--	--	Z2	--	Z4	--	A2+A5
--	--	Z2	--	Z4	--	A2+A5
	*					*
--	A4	Z2	--	Z4	--	S4
--	A4	Z2	--	Z4	--	S4
--	A4	Z2	--	Z4	--	A7
--	A4	Z2	--	Z4	--	A7
--	A4	Z2	--	Z4	--	A7
--	A4	Z2	--	Z4	--	A7
--	A4	Z2	--	Z4	--	A7
--	A4	Z2	--	Z4	--	A7
--	A4	Z2	--	Z4	--	A7
--	A4	Z2	--	Z4	--	P4
--	Z6	Z2	--	Z4	--	A4
--	A4	Z2	--	Z4	--	A4

Overview of classifications for Navigation Lights per country

Country:		AUS	EU	CDN	J	N	NZ
Classification society Authority:		AMSA	Wheelmark	DOT	NK	NMD	MNZ
aqua signal Series 41	Visibility (nm)					*	
Stern	2	Z1	A4	Z3	Z2	A4	Z1
Stern yellow	2	Z1	A4	Z3	Z2	A4	Z1
Starboard / Port	2	Z1	A4	Z3	Z2	A4	Z1
Masthead	3	Z1	A4	Z3	Z2	A4	Z1
Bicolor	2	Z1	A4	Z3	Z2	A4	Z1
aqua signal Series 43/44 (LED)	Visibility (nm)						
Stern S44	2	Z1	A4	Z3	Z2	A4	Z1
Starboard / Port S44	2	Z1	A4	Z3	Z2	A4	Z1
Masthead S43	2	Z1	A4	Z3	Z2	A4	Z1
Bicolor S43	2	Z1	A4	Z3	Z2	A4	Z1
aqua signal Series 50	Visibility (nm)		*			*	
Stern	2	Z1	A4	Z3	Z2	A4	Z1
Stern yellow	2	Z1	A4	Z3	Z2	A4	Z1
Allround yellow	2	Z1	A4	Z3	Z2	A4	Z1
Allround green	2	Z1	A4	Z3	Z2	A4	Z1
Allround red	2	Z1	A4	Z3	Z2	A4	Z1
Allround white	2	Z1	A4	Z3	Z2	A4	Z1
Starboard / Port	2	Z1	A4	Z3	Z2	A4	Z1
Masthead	3	Z1	A4	Z3	Z2	A4	Z1
Masthead 5 nm (TW 50)	5	Z1	B6	Z3	Z2	--	Z1
Bicolor	2	Z1	A4	Z3	Z2	A4	Z1
aqua signal Series 55	Visibility (nm)						
Stern	2	Z1	A6	Z3	Z2	A6	Z1
Stern yellow	2	Z1	A6	Z3	Z2	A6	Z1
Allround green	2	Z1	A6	Z3	Z2	A6	Z1
Allround red	2	Z1	A6	Z3	Z2	A6	Z1
Allround white	2	Z1	A6	Z3	Z2	A6	Z1
Starboard / Port	2	Z1	A6	Z3	Z2	A6	Z1
Masthead	2	Z1	A6	Z3	Z2	A6	Z1

Country:		AUS	EU	CDN	J	N	NZ
Classification society Authority:		AMSA	Wheelmark	DOT	NK	NMD	MNZ
Sound Signal			*			*	
Class IV		--	A4	Z3	Z2	A4	Z1
Watertight Searchlights						*	
with Art.no. 3313xxx		--	Z1	Z1	--	A4	--

PRC	RA	RC	RUS	USA	ZA	Others
CCS	PNA	CCRS	RS	USCG	DOT	GL
	*					*
--	A4	Z2	--	Z4	--	A4
--	A4	Z2	--	Z4	--	A4
--	A4	Z2	--	Z4	--	A4
--	A4	Z2	--	Z4	--	A4
--	A4	Z2	--	Z4	--	A4
--	A4	Z2	--	Z4	--	A4
--	A4	Z2	--	Z4	--	A4
--	A4	Z2	--	Z4	--	A4
	*					*
--	A4	Z2	--	Z4	--	A7
--	A4	Z2	--	Z4	--	A7
--	A4	Z2	--	Z4	--	A7
--	A4	Z2	--	Z4	--	A7
--	A4	Z2	--	Z4	--	A7
--	A4	Z2	--	Z4	--	A7
--	A4	Z2	--	Z4	--	A7
--	A7	Z2	--	--	--	P7
--	A4	Z2	--	Z4	--	A4
	A6	Z2		Z4		A7
	A6	Z2		Z4		A7
	A6	Z2		Z4		A7
	A6	Z2		Z4		A7
	A6	Z2		Z4		A7
	A6	Z2		Z4		A7
	A6	Z2		Z4		A7

PRC	RA	RC	RUS	USA	ZA	Others
CCS	PNA	CCRS	RS	USCG	DOT	GL
		*				*
--	--	Z2	--	--	--	A4
						*
--	--	--	--	--	--	X1

Overview of classifications for Navigation Lights per country












LEGEND	
A1	for all ships < 7 m
A2	for all ships < 12 m
A3	for all ships 12 m – < 20 m
A4	for all ships < 20 m
A5	for all ships 12 m – < 50 m
A6	for all ships 20 m – < 50 m
A7	for all ships < 50 m
A8	for all ships > 20 m
A9	for all ships > 50 m
B6	only for water inland navigation
P2	for power driven vessels < 12 m
P4	for power driven vessels < 20 m
P6	for power driven vessels 20 m – < 50 m
P7	for power driven vessels < 50 m
P8	for power driven vessels > 20 m
S2	for sailing boats < 12 m
S4	for sailing boats < 20 m
W0	navigation lights for recreational boating need no national approval
W2	for recreational < 12 m
W4	for recreational < 20 m
W5	for recreational < 50m
X1	for life boats according to MED rule 96/98/EC
Z1	Approvals of classification societies are accepted
Z2	COLREG-approvals of BSH/Germany or other governmental authorities are accepted
Z3	COLREG-approvals, e.g.: BSH/Germany, MCA/GB and USCG ABYC A-16 are accepted
Z4	COLREG-approvals of BSH/Germany are accepted
Z5	USCG and CCS = 5 nm
Z6	Approval requested
*	type approval
**	Type approval ; Certificate (see note)

Note:
 Official certificates, issued by authorised government authorities and/or government bodies are available from Italy (RINA: 1 certificate per Nav-Light), Peoples Republic of China (CCS: 1 certificate per supply), Russia (RS: 1 certificate per supply).

Where required works certificates or copies of approval documents may be issued.

Short description of the most important approvals

In the following you will find a short overview about the most important approvals (national and international standards).

Approvals	Description
	Approved according to the International Regulations Preventing Collisions at Sea 1972 (IMO).
	Approved according to the regulations of the United States Coast Guard (USCG). Minimum range of visibility on the housing.
	Approved according to the Regulations of the Italian Shipping Register (RINA). RINA has been replaced by regulation of wheel mark, but has still the right of continuance.
	Approved to the Regulation of the British Maritime and Coastguard Agency (MCA). MCA has been replaced by regulation of wheel mark, but has still the right of continuance.
	Standard of the American Boat and Yacht Council (ABYC).
	Type test by the Germanischen Lloyd (GL).
	Wheel mark approval – according to the building codes of the EN 14744, applies cross-border in all EU state members. Can be used on commercial shipping vessels, recreational boats and yachts. This approval replaces the original national approval in the European Union.
	The well-known approval of The German Federal Maritime Traffic and Hydrography Agency (BSH). BSH has been replaced by regulation of wheel mark, but has still the right of continuance.
	Former symbol of approval for commercial shipping by BSH – has been replaced by wheel mark approval. Lights with this symbol are allowed on sports boats and yachts – also on inland waterways.
	Constructed according to the safety regulations of the European Union. CE does not replace the national approval or wheel mark approval.
	Electromagnetic compatibility (EMC) – A measure for the electromagnetic compatibility, means the noise sensitivity of electronic devices.

OEM Article Numbers

Series 20

OEM article number	OEM Description	Single package article number
3570035000	S20 A/R white, 12V, foldable, 356mm/14", OEM50	3570001000
3570036000	S20 A/R white, 12V, foldable, 457mm/18", OEM50	3570002000
3570041000	S20 A/R white, 12V, plug in, 610mm/24", OEM80	3570020000
3570042000	S20 A/R white, 12V, deckmount, 102mm/4", OEM60	3570030000
3570059000	S20 A/R white, 12V, plug in, 750mm/30", OEM50	
3570303000	S20 A/R white, 12V, foldable, 610mm/24", white, OEM50	3570306000
3570323000	S20 A/R white, 12V, plug in, 1066mm/42", white, OEM 50	3570310000
3570324000	S20 A/R white, 12V, plug in, 1220mm/48", white, OEM50	3570311000
3571003000	S20 Starboard, 12V, OEM10	3571001000
3571303000	S20 Starboard, 12V, white, OEM 10	3571301000
3572003000	S20 Port, 12V, OEM10	3572001000
3572303000	S20 Port, 12V, white, OEM10	3572301000
3573003000	S20 Stern, 12V, OEM10	3573001000
3573303000	S20 Stern, 12V, white, OEM10	3573301000
3574002000	S20 Masthead, 12V, OEM10	
3574302000	S20 Masthead, 12V, white, OEM10	3574301000
3575016000	S20 Bicolor, 12V, plug in, 330mm/13", OEM50	
3575034000	S20 Bicolor, 12V, plug in, 135mm/5", OEM50	
3575103000	S20 Starboard, 12V, deckmount, OEM10	3575101000
3575203000	S20 Port, 12V, deckmount, OEM10	3575201000
3575305000	S20 Bicolor, 12V, white, OEM10	3575301000

Series 25

OEM article number	OEM Description	Single package article number
3106092000	S25 Masthead/foredeck combination, 12V, OEM25	3106012000
3508092000	S25 Masthead, 12V, "Classic", OEM10	3508002000
3508096000	S25 Masthead, 12V, "Classic", white, OEM10	3508095000
3509092000	S25 Stern, 12V, "Classic", OEM10	3509002000
3509096000	S25 Stern, 12V, "Classic", white, OEM10	3509095000
3510292000	S25 Port, 12V, "Classic", OEM10	3510202000
3510296000	S25 Port, 12V, "Classic", white, OEM10	3510295000
3511192000	S25 Starboard, 12V, "Classic", OEM10	3511102000
3511196000	S25 Starboard, 12V, "Classic", white, OEM10	3511195000
3512392000	S25 Bicolor, 12V, "Classic", OEM10	3512302000
3512396000	S25 Bicolor, 12V, "Classic", white, OEM10	3512395000
3513092000	S25 A/R white, 12V, "Standard", OEM10	3513012000
3513095000	S25 A/R white, 12V, "Standard", white, OEM10	3513096000
3516060000	S25 Masthead, 12V, "Standard", OEM10	3516002000
3516061000	S25 Masthead, 12V, "Standard", white, OEM10	3516012000
3517760000	S25 Stern, 12V, "Standard", OEM10	3517702000
3517761000	S25 Stern, 12V, "Standard", white, OEM10	3517712000
3518360000	S25 Bicolor, 12V, "Standard", OEM10	3518302000
3518361000	S25 Bicolor, 12V, "Standard", white, OEM10	3518312000
3519160000	S25 Starboard, 12V, "Standard", OEM10	3519102000
3519161000	S25 Starboard, 12V, "Standard", white, OEM10	3519112000
3520260000	S25 Port, 12V, "Standard", OEM10	3520202000
3520261000	S25 Port, 12V, "Standard", white, OEM10	3520212000
3513192000	S25 A/R green, 12V, "Standard", OEM10	3513122000
3513292000	S25 A/R red, 12V, "Standard", OEM10	3513222000

Series 34 LED

OEM article number	OEM Description	Single package article number
3850002000	S34 LED Starboard, black, OEM10	3850001000
3850102000	S34 LED Starboard, white, OEM10	3850101000
3851002000	S34 LED Port, black, OEM10	3851001000
3851102000	S34 LED Port, white, OEM10	3851101000
3852002000	S34 LED Stern, black, OEM10	3852001000
3852102000	S34 LED Stern, white, OEM10	3852101000
3854002000	S34 LED A/R white, black OEM10	3854001000
3854102000	S34 LED A/R white, white, OEM10	3854101000
3854122000	S34 LED A/R green, black, OEM10	3854121000
3854142000	S34 LED A/R green, white, OEM10	3854141000
3854162000	S34 LED A/R red, black, OEM10	3854161000
3854182000	S34 LED A/R red, white, OEM10	3854181000
3863002000	S34 LED Bicolor, black, OEM10	3863001000
3863102000	S34 LED Bicolor, white, OEM10	3863101000
3863202000	S34 LED Bicolor, silver/black, OEM10	3863201000
3855002000	S34 LED Masthead, black, OEM10	3855001000
3855102000	S34 LED Masthead, white, OEM10	3855101000
3856002000	S34 LED, Tricolor, black, OEM10	3856001000
3856102000	S34 LED, Tricolor, white, OEM10	3856101000
3857002000	S34 LED, Tricolor/Anchor, black, OEM10	3857001000
3857102000	S34 LED, Tricolor/Anchor, white, OEM10	3857101000
3858002000	S34 LED, Topp/Anchor, black, OEM10	3858001000
3858102000	S34 LED, Topp/Anchor, white, OEM10	3858101000
8385000400	S34 Cover for starboard, stainless steel, OEM10	8385000300
8385100300	S34 Cover for port, stainless steel, OEM10	8385100200
8385200300	S34 Cover for stern, stainless steel, OEM10	8385200200

Series 40

OEM article number	OEM Description	Single package article number
3501096000	S40 Masthead, 12V, OEM16	3501002000
3501097000	S40 Masthead, 24V, OEM16	3501003000
3502096000	S40 Stern, 12V, OEM16	3502002000
3502097000	S40 Stern, 24V, OEM16	3502003000
3503396000	S40 Bicolor, 12V, OEM16	3503302000
3504296000	S40 Port, 12V, OEM16	3504202000
3504297000	S40 Port, 24V, OEM16	3504203000
3505196000	S40 Starboard, 12V, OEM16	3505102000
3505197000	S40 Starboard, 24V, OEM16	3505103000
3506094000	S40 A/R white, 12V, deckmount, OEM16	3506032000
3506095000	S40 A/R white, 24V, deckmount, OEM16	3506033000
3506194000	S40 A/R green, 12V, deckmount, OEM16	3506132000
3506282000	S40 A/R red, hoistable, 12V, OEM16	3506202000
3506283000	S40 A/R red, hoistable, 24V, OEM16	3506203000
3506294000	S40 A/R red, deckmount, 12V, OEM16	3506232000
3506295000	S40 A/R red, deckmount, 24V, OEM16	3506233000
3506630000	S40 A/R white, deckmount, white, 12V, OEM16	3506629000
3514992000	S40 Tricolor/Anchor, 12V, OEM10	3514912000
3514996000	S40 Tricolor/Anchor, 12V, quickfit, OEM10	3514952000

OEM Article Numbers

Series 41

OEM article number	OEM Description	Single package article number
3540092000	S41 Masthead, 12V, OEM16	3540002000
3540093000	S41 Masthead, 24V, OEM16	3540003000
3540609000	S41 Masthead, 12V, 30CD, OEM16	-
3540612000	S41 Masthead, 24C, 30CD, OEM16	-
3540624000	S41 Masthead, 12V, white, OEM16	3540623000
3540628000	S41 Masthead, 24V, white, OEM16	3540627000
3541092000	S41 Stern, 12V, OEM16	3541002000
3541093000	S41 Stern, 24V, OEM16	3541003000
3541624000	S41 Stern, 12V, white, OEM16	3541623000
3541627000	S41 Stern, 24V, white, OEM16	3541626000
3542392000	S41 Bicolor, 12V, OEM16	3542302000
3542393000	S41 Bicolor, 24V, OEM16	3542303000
3542621000	S41 Bicolor, 12V, white, OEM16	-
3542624000	S41 Bicolor, 12V, white, OEM16	3542623000
3543192000	S41 Starboard, 12V, OEM16	3543102000
3543193000	S41 Starboard, 24V, OEM16	3543103000
3543609000	S41 Starboard, 12V, 30CD, OEM16	-
3543612000	S41 Starboard, 24V, 30CD, OEM16	-
3543624000	S41 Starboard, 12V, white, OEM16	3543623000
3543627000	S41 Starboard, 24V, white, OEM16	3543626000
3544292000	S41 Port, 12V, OEM16	3544202000
3544293000	S41 Port, 24V, OEM16	3544203000
3544609000	S41 Port, 12V, 30CD, OEM16	-
3544612000	S41 Port, 24V, 30CD, OEM16	-
3544624000	S41 Port, 12V, white, OEM16	3544623000
3544627000	S41 Port, 24V, white, OEM16	3544626000

Series 43 LED

OEM article number	OEM Description	Single package article number
3603002000	S43 LED Bicolor, black, OEM10	3603001000
3603102000	S43 LED Bicolor, white, OEM10	3603101000
3605002000	S43 LED Masthead, black, OEM10	3605001000
3605102000	S43 LED Masthead, white, OEM10	3605101000

Serie 44 LED

OEM-Artikel-nummern	OEM-Beschreibung	Einzelpackung Artikelnummer
3650002000	S43 LED Starboard, black, OEM10	3650001000
3650102000	S43 LED Starboard, white, OEM10	3650101000
3651102000	S43 LED Port, black, OEM10	3651001000
3651102000	S43 LED Port, white, OEM10	3651101000
3652002000	S43 LED Stern, black, OEM10	3652001000
3652102000	S43 LED Stern, white, OEM10	3652101000

Series 50

OEM article number	OEM Description	Single package article number
3030000001	S50 Masthead, without bulb, OEM5	3030003000
3030005000	S50 Masthead, 12V, OEM5	3030002000
3033300001	S50 Bicolor, without bulb, OEM5	3033303000
3034000001	S50 Stern, without bulb, OEM5	3034003000
3035200001	S50 Port, without bulb, OEM5	3035203000
3036100001	S50 Starboard, without bulb, OEM5	3036103000
3037010001	S50 A/R white, without bulb, OEM5	3037003000
3037015000	S50 A/R white, 12V, OEM5	3038213000
3038210001	S50 A/R red, without bulb, OEM5	3038213000

Searchlights / Deck Lights / Underwaterlights

OEM article number	OEM Description	Single package article number
3313004001	Searchlight BREMEN, 12V, 50W Halogen, OEM 10	3313004000
33130001001	Bremen LED OEM 10	3310001000

Bulbs

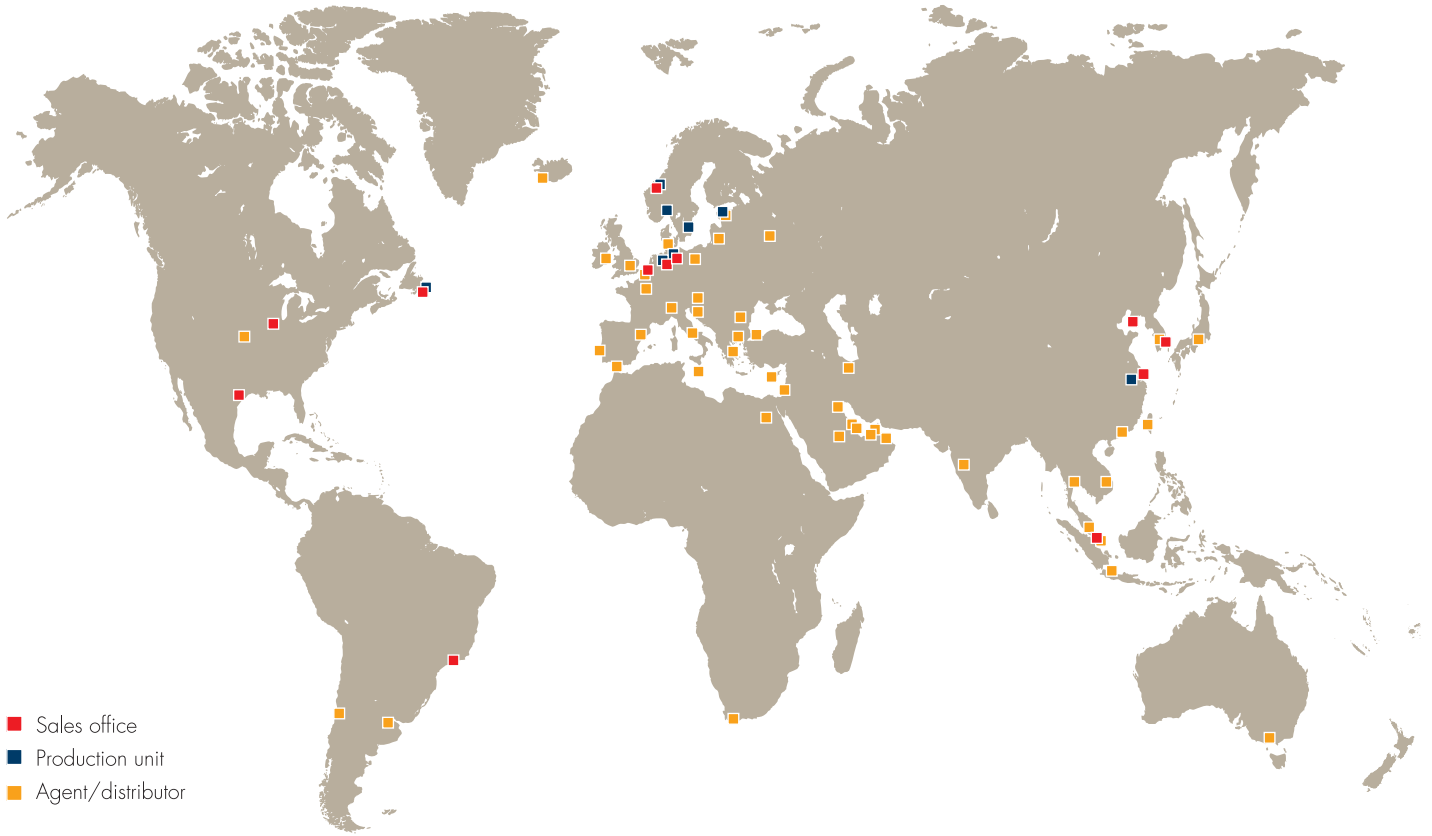
OEM article number	OEM Description	Single package article number
9049047000	5x Halogen bulbs, 12V/20W, BA9S	9040047000
9049004700	5x Bulb, 12V/10W, B15	
9049004900	5x Bulb, 12V/25W, B15	9040004900
9049005200	5x Bulb, 24V/25W, B15	9040005200
9049017700	20x Festoon bulb, 12V/10W, 41mm	9040017700
9049019100	10x Festoon bulb, 24V/10W, 41mm	9040019100
9049023400	5x Halogen bulbs, 12V/20W, G4	9840100800
9049024700	5x Tube shape bulb, 24V/5W, BA9S	9840035700
9049028200	5x Halogen bulbs, 12V/5W, 5W, BA9S	9040028200
9049043600	5x Halogen bulbs, 12V/5W, G4	9840104300
9049043700	5x Halogen bulbs, 12V/10W, G4	9840104400
9049000200	Bulb 12V 25W BAY15D - OEM100	E-9040000200
9049000300	Bulb 24V 25W 30CD BAY15D - OEM100	E-9040000300
9049000500	Bulb 12V 10W BAY15D - OEM100	E-9040000500
9049000600	Bulb 24V 10W BAY15D - OEM100	E-9040000600

Accessories

OEM article number	OEM Description	Single package article number
3928007000	Plug connection, horizontal, OEM50	3928001000

Alphabetic product index

Atlanta / Atlanta mini	98 - 99
Bergen	73
Bremen LED	78
Bremen	76
Bulbs	106- 107
Calvi LED	92
Cary	67
Colombo	97
Control panel	103
Cordoba	75
Dione	86
FL40	82
Flensburg	81
Hamburg	68
Island	80
Kiel	66
Lima	74
London	96
Luebeck	70
Malabo	94
Maputo	95
Marseille	90
Paris	98
Plug connectors	102
Quick connector	104
Series 20	6 - 9
Series 25 Classic	14 - 15
Series 25 Standard	12 - 13
Series 27	16 - 17
Series 30	18 - 20
Series 34	22 - 28
Series 40	30 - 39
Series 41	40 - 43
Series 43	44 - 46
Series 44	47
Series 50	48 - 51
Series 55	52 - 53
Sound signal	62
Strobe light blue	60
Strobe light	58



Glamox Aqua Signal GmbH

Bremen, Germany

Tel. +49 421 36 93 52-0

sales.aquasignal@glamox.com

www.aquasignal.net



Go to our website