

HOLLAND STANDARD

THE HOLLAND STANDARD IS COMPOSED SOLEY OF GLAMOX AQUA SIGNAL LIGHTING FIXTURES
AND CORRESPONDING SPARE PARTS



DE HOLLAND STANDARD

Het 'Holland Standard' verlichtingsassortiment is een overzichtelijk assortiment verlichtingsarmaturen, dat in de loop der jaren is samengesteld aan de hand van wensen en eisen vanuit de Nederlandse markt. Holland Standard is ontwikkeld door Theunissen Technical Trading BV (TTTBV), gebaseerd op het totaalassortiment van Glamox Aqua Signal Global Marine & Offshore. Het betreft een basis assortiment, geheel gebaseerd op de vraag van onze Nederlandse klanten, zowel installateurs als werven. Het bestaat uit die verlichtings armaturen die de Nederlandse klant het meest toepast. Gedurende de laatste fase van scheepsnieuwbouw, maar zeker ook in de vervangingsmarkt, bestaat regelmatig behoefte aan directe levering uit voorraad.

De Holland Standard heeft een einde gemaakt aan lange levertijden. Door de ruime voorraad die TTTBV van deze artikelen heeft, kunnen wij een levering binnen 24 uur garanderen. En heeft u materialen uit de Holland Standard over na afloop van een project, dan nemen wij deze graag van u retour.

De voordelen van de Holland Standard:

- Hoge voorraadniveaus in Nederland
- Levering binnen 24 uur
- Geen extra transportkosten binnen Nederland (DDP uw adres in Nederland)
- Ruime voorraden van reservedelen
- Materialen mogen retour (DDP, mits in nieuw staat en in de originele verpakking en met in achtneming van 10% retourname kosten)
- Overzichtelijk assortiment en documentatie
- Klant heeft inspraak (jaarlijks bijstelling in assortiment mogelijk)
- Ingespeeld op de wensen vanuit de markt (o.a. TL met doorvoerbedrading, metrische wartels)

We staan heel graag voor u klaar met de levering van Glamox en Aqua Signal producten en reservedelen. Naast het Holland Standard assortiment kunt u bij ons vanzelfsprekend terecht voor elk ander armatuur van Aqua Signal of Glamox.



Glamox LED-producten worden standaard geleverd met 5 jaar garantie op fabricage- en materiaalfouten.

**TTTBV behoudt zich het recht voor om van alle omschreven artikelen technische veranderingen en ontwerpwijzigingen door te voeren.*

THE HOLLAND STANDARD

The 'Holland Standard' lighting program is a clear and concentrated assortment of lighting fixtures, that has been constituted over the years according to de market demands within the Dutch Shipbuilding Industry. The Holland Standard was developed by heunissen Technical Trading BV (TTTBV), based on the complete assortment of Glamox Aqua Signal Global Marine & Offshore. The lighting fixtures within Holland Standard actually form a basis assortment, resulting from the wishes and needs articulated by our Dutch customers, being both installing companies and shipyards. Especially in the last phase of a new building process, but as well when it comes to the delivery of replacement fixtures or spare parts, prompt delivery from stock is often preferred.

The Holland Standard has put an end to long delivery times. Because of the high stock levels at TTTBV, we can guarantee delivery within 24 hours. And Holland Standard fixtures that remain after a project can be returned to TTTBV.

The advantages of the Holland Standard:

- High stock levels in Holland
- Delivery within 24 hours
- No extra cost for transportation within the Netherlands (DDP to any address in Holland)
- High stock levels of spare parts
- Materials may be returned (DDP to our address, new and in the original packaging, 10% return costs)
- Clear delivery program and documentation
- Customer has a vote (adaption of the assortment possible on yearly basis)
- Response to market demands (e.g. TL fixtures with pre-mounted screw and through wiring, metric glands)








We are always at your service regarding the delivery of the complete Aqua Signal and Glamox product range, including all spare parts. Besides the Holland Standard assortment, you can obviously come to us for other products from the Glamox and Aqua Signal product range.








Glamox LED products standard comes with a 5 year warranty against manufacturing and material defects.





















**TTTBV reserves the right to modify its products without prior notice to not impede progress in technology or design.*

Index

Technical	Part no./Series	pag.
	0673	6
	MIR G2	8
	1445	9
	MIL	10
	TL50	11
	TL60	12
	1961 LED	13

Floodlights	Part no./Series	pag.
	FL60	14
	FL70	16
	RLX B LED	18
	RLX C LED	18
	RLX D LED	18

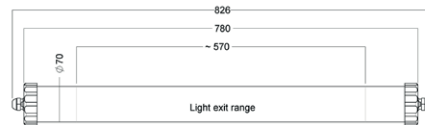
Index

Indoor	Part no./Series	pag.	EX/ATEX	Part no./Series	pag.
	TL43	19		MAX LED	31
	TL14	20		TX60	32
	AL42-W	21		FX60	33
	FLECTO	22		RLX EX LED	35
	WALLE	23	Navigation lights		
	TL44-S	24		SERIES 55 VESSELS > 20 - < 50 M	36
	TL11-R250	25		SERIES 70/70M VESSELS ≥ 20M	37
	AL60-SC	26		SERIES 60-61 VESSELS > 20 - < 50 M	39
	AL60-CABIN G3	27		SERIES 75 VESSELS ≥ 20M	40
	AL60-CABIN II	28			
	AL60-W	29			
	AL60-SQ	30			

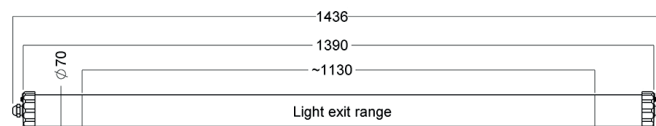
0673 - WATERTIGHT IP68 DOWN TO 20M

Watertight up to 20 m underwater (IP68)

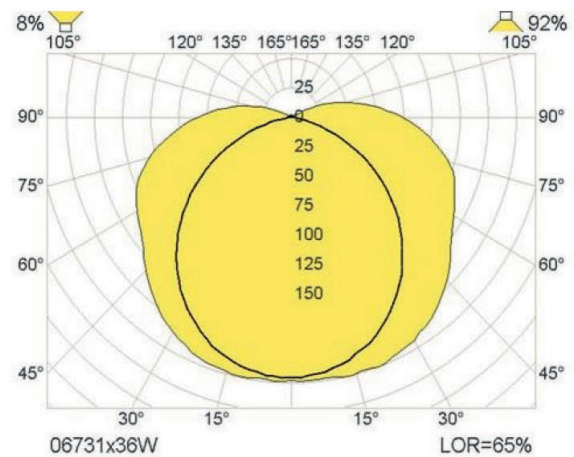
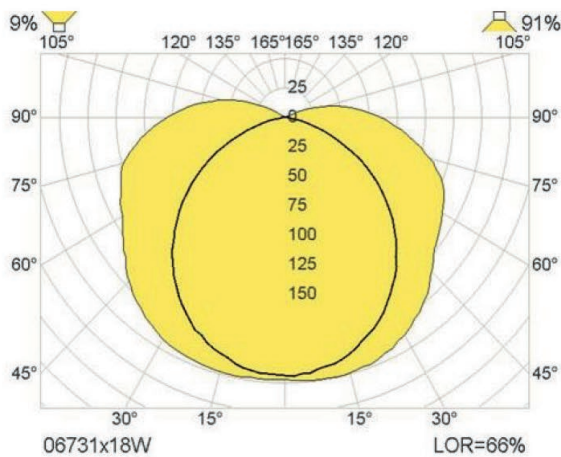
Application	Decks, submerged areas
Protection degree	IP68 h20
Finish	Powder coated white RAL 9016
Cover tube	Clear polycarbonate 4mm thickness, Polycarbonate end caps white
Cable entry	Plastic M20 x 1.5 (cable \varnothing 6-12 mm)
Light source	LED
Mounting	2 fixing clamps: stainless steel or polycarbonate (clamps are not part of supply, please order separately)



1x10W



1x20W



PART NO.
WEIGHT
Version:

0673102000*	1 x 10W LED, 110-230V 50/60Hz, -35/+45°C	1,7 kg
0673104000*	1 x 20W LED, 110-230V 50/60Hz, -35/+45°C	2,3 kg
0673102005	0673-800 LED 230V 1200 HF E3/S 840-O/-O M20-12 (separate extra tube for battery)	
0673104005	0673-1400 LED 230V 2500 HF E3/S 840-O M20-12	

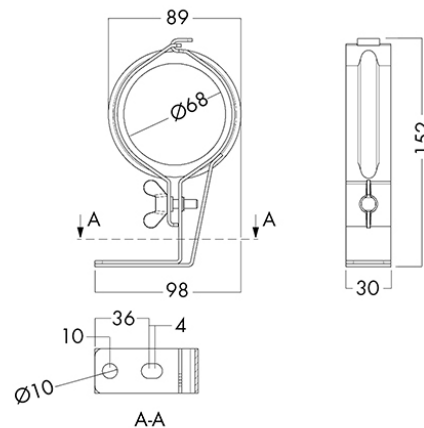
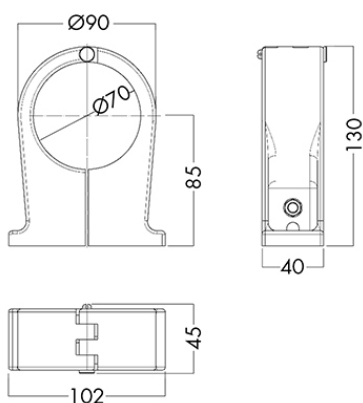
With through wiring:

0673102001*	1 x 10W LED, 110-230V 50/60Hz, -35/+45°C	1,7 kg
0673104001*	1 x 20W LED, 110-230V 50/60Hz, -35/+45°C	2,3 kg

Fixing clamps:

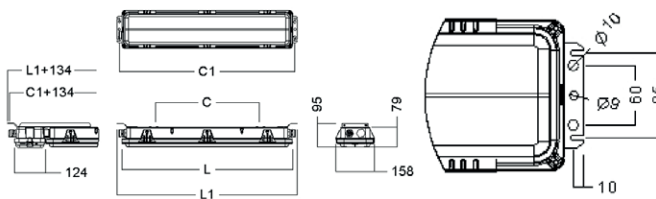
9840095000	Polycarbonate (1 pc)
9840025500	Stainless steel (1 pc)

*h.p.f.c. ~ compensated version (with capacitor)



MIR G2 WATERTIGHT MULTIPURPOSE LUMINAIRE

Application	Workshops, engine rooms, stores, holds, passage ways, etc.
Protection degree	IP66/67
Housing	Aluzink (Z) or Stainless Steel (S)
Gear tray	Zinc coated steel sheet
Finish	Powder coated white RAL 9016
Diffuser	FR/PC- Frosted diffuser in polycarbonate
Light source	LED
Supply voltage	220-240V
Mounting	Fixed end brackets
Driver	HF as standard, also available with DALI



Types	L1	C1	L	C = Hood nuts M8 distance			IP code
MIR-600 G2	724	704	687	400	430	500	IP 66/67
MIR-1200 G2	1334	1314	1296	500	700	950	IP 66/67
MIR-1500 G2	1634	1614	1596		950	1100	IP 66/67

PART NO.

WEIGHT

Zinc coated steel: (with through wiring)

MIR102046	MIRZ67-600 (M) G2 2500 HF 840 TW M20 FR/PC	4,1 kg
MIR099060	MIRZ67-1200 (M) G2 5000 HF 840 TW M20 FR/PC	6,6 kg

Stainless steel version: (with through wiring)

MIR101985	MIRS67-600 (M) G2 2500 HF 840 TW M20 FR/PC	4,1 kg
MIR102145	MIRS67-1200 (M) G2 5000 HF 840 TW M20 FR/PC	6,6 kg

Zinc coated steel battery backup E3:

MIR102040	MIRZ67-600 (M) G2 2500 HF EB3/S 840 TW M20 FR/PC	5,3 kg
MIR102143	MIRZ67-1200 (M) G2 5000 HF EB3/S TW 840 M20 FR/PC	7,8 kg

Stainless steel battery backup E3:

MIR102043	MIRS67-600 (M) G2 2500 HF EB3/S 840 TW M20 FR/PC	5,3 kg
MIR101988	MIRS67-1200 (M) G2 5000 HF EB3/S 840 TW M20 FR/PC	7,8 kg

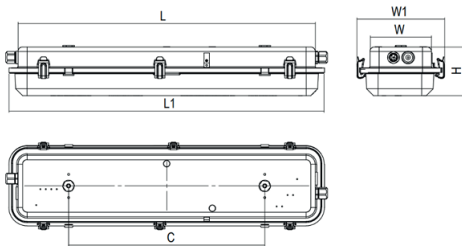
LED replacement/conversion kits for MIR led:

MIR102126	MIR KIT-600 (M) G2 2500 HF 840 FR/PC IP66/67	2,3 kg
MIR101988	MIRS67-1200 (M) G2 5000 HF EB3/S 840 TW M20 FR/PC	7,8 kg

MIR102128	MIR KIT-600 (M) G2 2500 HF EB3/S 840 FR/PC IP66/67	2,1 kg
MIR102133	MIR KIT-600 (M) G2 4500 HF EB3/S 840 FR/PC IP66/67	2,0 kg

1445 WATERTIGHT MULTIPURPOSE LUMINAIRE LED

Application	Workshops, engine rooms, stores, holds, passage ways, etc.
Protection degree	IP66/67
Housing	Zinc coated steel sheet deep drawn, seamless or stainless steel available
Gear tray	Zinc coated steel sheet
Finish	Powder coated white RAL 9016
Diffuser	Clear polycarbonate
Cable entry	Plastic gland-0-, M20 x 1,5
Light source	LED 2x10W- 2200lm, 4000K LED 2x20W- 4500lm, 4000K
Mounting	2 holes, Ø 13mm



Types	L1	L	W1	W	H	C=Hood nuts M8 distance
1445 SV	379	347	165	115	102	186
1445 2200HF	692	652	192	135	109	430
1445 4500HF	1340	1300	150	92	109	950



PART NO.

Zinc coated steel:

1445301248	1445 2200 840 220-240 IP66/67 M20
1445801236	1445 4500 840 220-240 IP66/67 M20

Stainless steel:

1445301246	1445 2200 840 220-240 IP66/67 M24 HFE3
1445801234	1445 4500 840 220-240 IP66/67 M24 HFE3

Battery backup zinc

1445301320	1445 Z 2200HF-E3 840 M20X MB	4,4 kg
1445984053	1445 Z 4500HF-E3 840 M20X MB	7,7 kg

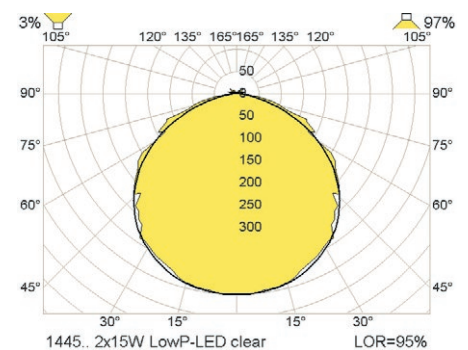
Stainless steel battery backup:

1445301319	1445 S 2200HF-E3 840 B20X MB	4,9 kg
1445984075	1445 S 4500HF-E3 840 B20X MB	6,5 kg

LED replacement/conversion kits for 1044/1444/1445 (with cover)

1445101392	MIR 1445 KIT-600(M) 2500 HF 840	1,8 kg
1445101393	MIR 1445 KIT-1200(M) 5000 HF 840	2,4 kg

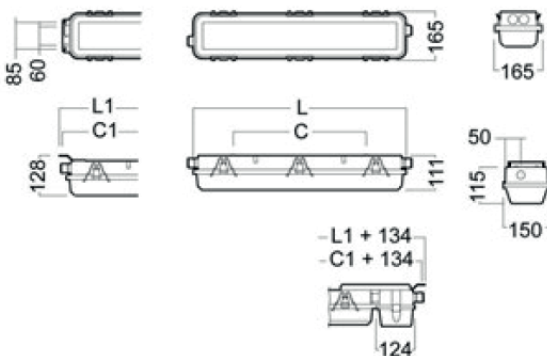
WEIGHT



LED Replacement kit

MIL LED - LUMINAIRE FOR FREEZING AND COLD ROOMS

Application	Refrigerated areas, cold rooms, freezing rooms, ambient temperature of min. -40°C and max. +55°C
Protection degree	IP66/67
Housing	Stainless Steel AISI 316L
Color	RAL 9016
Diffuser	Polycarbonate
Cable entry	2 x M20-Polyamide cable glands
Light source (incl.)	LED
Supply voltage	230V
Light output	MIL086336- 2500lm MIL087081- 5000lm
Mounting	Fixed end brackets- M8 hood nuts for fixing of alternative suspension system (triangle, shockabsorber etc) available on request.



MIL LED	L1 (mm)	C1(mm)	L(mm)	Cfor Hood nut
MIL-600 LED	724	704	681	On request
MIL-1200 LED	1334	1314	1291	On request
MIL-1500 LED	1634	1614	1594	On request

PART NO.

MIL086336	MILS67-600 LED 2500 HF TW PC 840 M20
MIL087081	MILS67-1200 LED 5000 HF TW PC 840 M20

WEIGHT

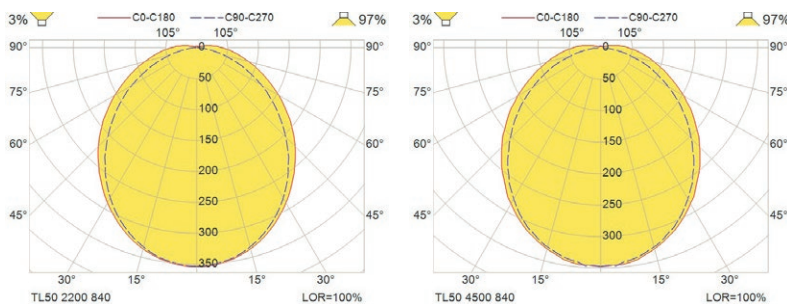
3,9 kg
6,0 kg

LED replacement/conversion kits for MIL led:

MIL091279	MIL KIT-600 LED 2500 HF 840- Includes: Geartray	1,4 kg
MIL091280	MIL KIT-1200 LED 5000 HF 840- Includes: Geartray	2,3 kg

TL50 TECHNICAL OUTDOOR LUMINAIRE LED

Application	Areas like car decks, open decks, engine rooms and other demanding application areas
Protection degree	IP67/67
Housing	Seawater resistant, galvanized aluminium housing
Cable insert	2 x M25 x 1.5 polyamide D7-17mm
Light source	LED 2 x 5W / 2 x 10W / 2 x 20W
Mounting	Mounted to the ceiling or cable trays by: screws, different screwed or welded mounting brackets, shock mounts or triangles are available. Mounting distance adjustable.



AS mounting system

PART NO.

TL50124000	TL50 LED 2200 840 220-240 M25 GL
TL50124400	TL50 LED 2200 840 220-240 M25 AS
TL50624000	TL50 LED 4500 840 220-240 M25 GL
TL50624400	TL50 LED 4500 840 220-240 M25 AS
TL50126000	TL50-600 2200 HF 24V 840 1xM25 GL
TL50126400	TL50 LED 2200 840 24 1xM25 AS

WEIGHT

4,3 kg
4,2 kg
6,5 kg
6,5 kg
3,9 kg
3,9 kg

Short version:

TL50024000	1000lm 840 220-240V M25 GL	2,1 kg
TL50024400	1000lm 840 220-240V M25 AS	2,1 kg
TL50074000	800lm 840 24V M25 GL	2,1 kg
TL50074400	800lm 840 24V M25 AS	2,1 kg

Battery backup:

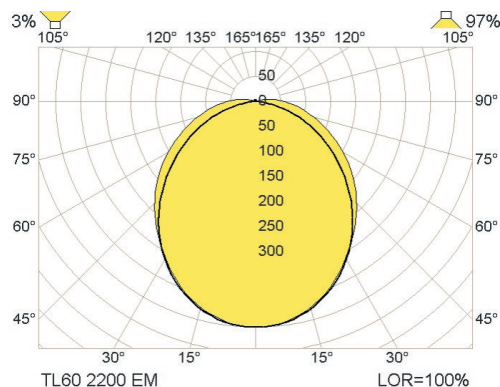
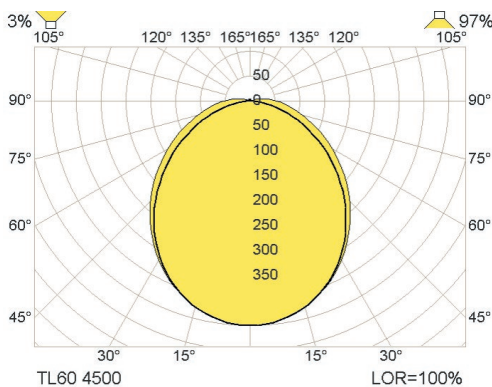
TL50124200	TL50 LED 2200 840 220-240 HFE3 1xM25 GL	2,1 kg
TL50124600	TL50 LED 2200 840 220-240 HFE3 1xM25 AS	2,1 kg
TL50624200	TL50 LED 4500 840 220-240 HFE3 1xM25 GL	2,1 kg
TL50624600	TL50 LED 4500 840 220-240 HFE3 1xM25 AS	2,1 kg



GL mounting system

TL60 LED TECHNICAL OUTDOOR LUMINAIRE

- Application:** Areas like car decks, open decks, engine rooms and other demanding areas
- Protection degree:** IP66/67
- Housing:** Seawater resistant, galvanized aluminium housing
- Cable insert:** 2 x M25 x 1.5 polyamide D7-17mm
- Light source:** LED 2 x 10W / 2 x 20W
- Mounting:** Mounted to the ceiling or cable trays by: screws, different screwed or welded mounting brackets, shock mounts or triangles are available. Mounting distance adjustable.



PART NO.

- [TL60404001](#) 2 x 10W / 2200lm 840 110-240VAC, M25 AS
- [TL60404002](#) 2 x 10W / 2200lm 840 110-240VAC, M25 GL
- [TL60704001](#) 2 x 20W / 4500lm 840 110-240VAC, M25 AS
- [TL60704002](#) 2 x 20W / 4500lm 840 110-240VAC, M25 GL

Battery backup versions:

- [TL60424005](#) 2x10W / 2200lm 840 230V HFE3 M25 AS 4.8kg
- [TL60424006](#) 2x10W / 2200lm 840 230V HFE3 M25 GL 5.0kg
- [TL60724005](#) 2x20W / 4500lm 840 230V HFE3 M25 AS 6.8kg
- [TL60724006](#) 2x20W / 4500lm 840 230V HFE3 M25 GL 6.8kg

WEIGHT



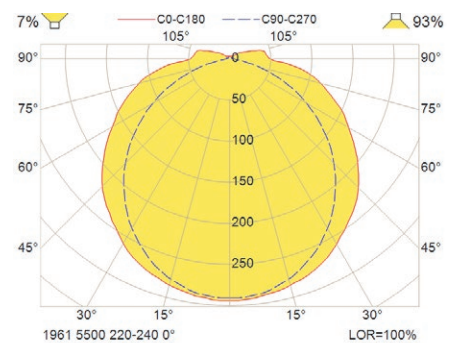
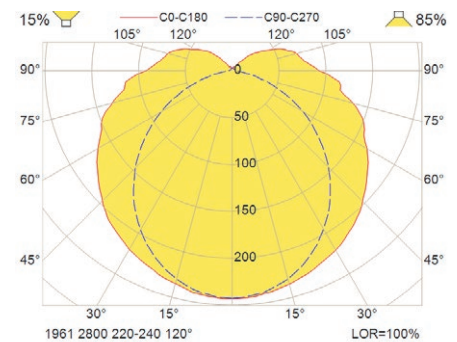
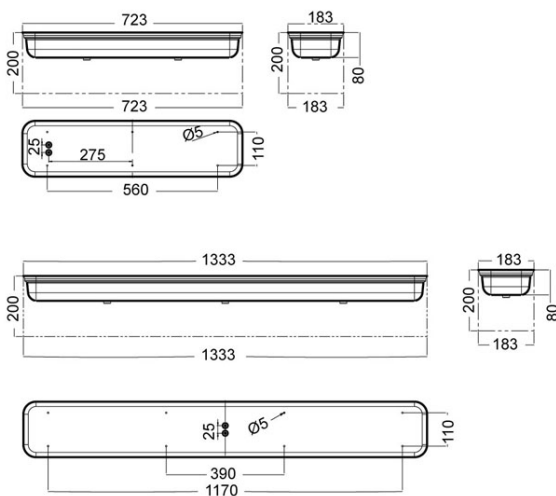
AS mounting system



GL mounting system

1961 LED CEILING LUMINAIRE

Application	Kitchens, galleys, pantries, provision rooms, easy to clean, accordingn to USPH rules, flat design
Protection degree	IP67
Ground plate	Stainless steel
Gear tray	Zinc coated steel sheet
Finish	Powder coated white RAL 9016
Diffuser	Clear polycarbonate
Cable entry	2 holes dia. 10mm
Light source	LED - 4000K or 5000K
Voltage	Driver for 110-240V, or 220-240V
Mounting	6 mounting holes, \varnothing 5mm


PART NO.
WEIGHT
Ceiling luminaire LED IP67

1961312201	2200 840 220-240 LED 0°	2.8kg
1961372201	4500 840 220-240 LED 0°	4.5kg
1961317201	2200 840 220-240 LED 120°	2.8kg

h.p.f.c. ~ compensated version (with capacitor)

FL60 LED FLOODLIGHT

Application	Decks and holds, ramps, industrial areas
Protection degree	IP66/67
Housing	Seawater resistant aluminum anodized frame and bracket stainless steel
Pane	Polycarbonate
Temperature range	-45°C up to +55°C
Lifetime	100.000 hours at Ta 45°
Cable entry	Two brass cable entries M24x1,5 as standard for through wiring. 3-pole terminal 6mm ² .
Light source	LED- 40W per module
Operating voltage	120V or 230V 50/60Hz
Mounting	Adjustable bracket with mounting holes, Ø 11/14mm


PART NO.

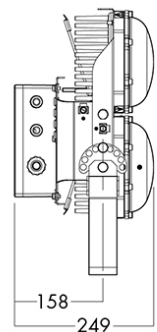
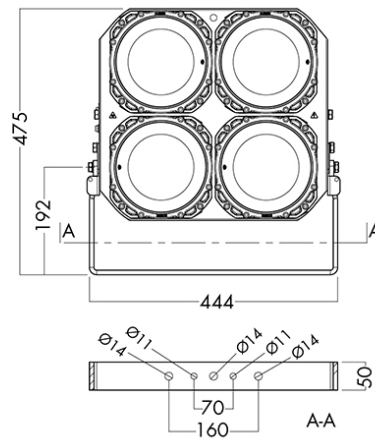
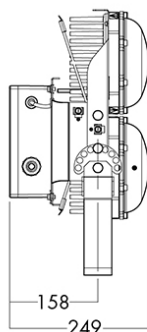
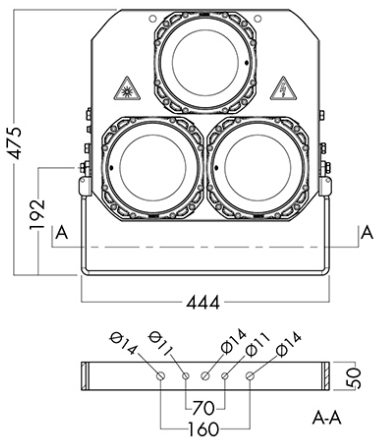
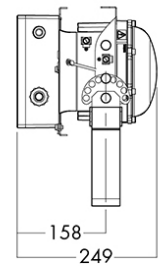
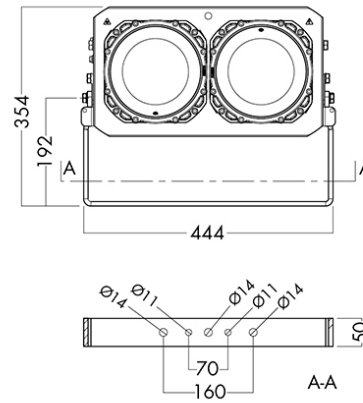
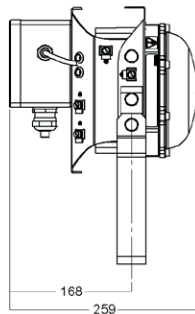
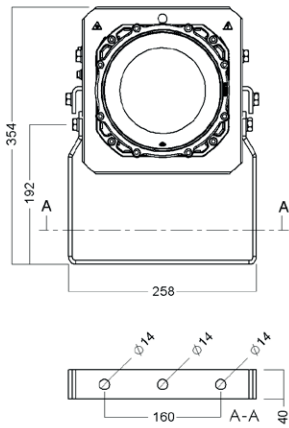
FL6010X000	1 x 40W 230V 50/60Hz
FL6020X000	2 x 40W 230V 50/60Hz
FL6030X000	3 x 40W 230V 50/60Hz
FL6040X000	4 x 40W 230V 50/60Hz

WEIGHT

6,0 kg
11,2 kg
14,1 kg
16,3 kg

X = 0 *Narrow Beam 60°*
 X = 1 *Medium Beam 90°*
 X = 2 *Wide Beam 120°*

HOLLAND STANDARD

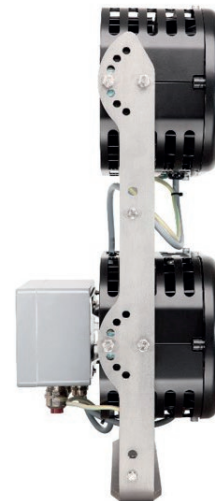
FL60


FL70 LED FLOODLIGHT

Application	Decks and holds, ramps, industrial areas
Protection degree	IP66/67
Housing	Seawater resistant aluminum anodized
Mounting	Adjustable stainless steel bracket with mounting holes, \varnothing 11/14mm
Diffuser	Borosilicate clear glass
Cable entry	JB (Junction Box) 2xM25x1.5 brass nickel plated D9-17mm or FL (5m cable) version
Light source	LED, CRI >80, 5000K
Light output	27.000 / 54.000 lm
Lifetime	100.000 hours at Ta 45°
Power consumption	183W (per module)
Operating voltage	220-254V AC- 50/60 Hz
Temperature range	-35°C / +55°C
Beam angles	SB 18°- XNB 27°- XNB 39°- NB 60°- MB 80°- WB 100°- XWB 120°

588 mm

409 mm



JB version



FL version

288 mm

JB version

With junction box on the back of the light.

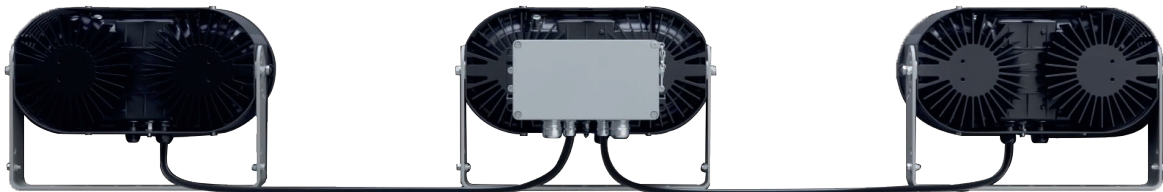
FL version

Flying Lead version, with 5 m cable. The FL version can be connected to an JB version

FL version

JB version

FL version


FL70 27000 JB

FL70000000	FL70 27000 850 220-254 BN25 SB-18 JB	10 kg
FL70001000	FL70 27000 850 220-254 BN25 XNB-27 JB	10 kg
FL70002000	FL70 27000 850 220-254 BN25 XNB-39 JB	10 kg
FL70003000	FL70 27000 850 220-254 BN25 NB-60 JB	10 kg
FL70004000	FL70 27000 850 220-254 BN25 MB-80 JB	10 kg
FL70005000	FL70 27000 850 220-254 BN25 WB-100 JB	10 kg
FL70006000	FL70 27000 850 220-254 BN25 XWB-120 JB	10 kg


 LxWxD
403mm x 288mm x 245mm

 LxWxD
403mm x 288mm x 145mm

FL70 27000 FL

FL70100000	FL70 27000 850 220-254 SB-18 FL	9,5 kg
FL70101000	FL70 27000 850 220-254 XNB-27 FL	9,5 kg
FL70102000	FL70 27000 850 220-254 XNB-39 FL	9,5 kg
FL70103000	FL70 27000 850 220-254 NB-60 FL	9,5 kg
FL70104000	FL70 27000 850 220-254 MB-80 FL	9,5 kg
FL70105000	FL70 27000 850 220-254 WB-100 FL	9,5 kg
FL70106000	FL70 27000 850 220-254 XWB-120 FL	9,5 kg

FL70 54000 JB

FL70200000	FL70 54000 850 220-254 BN25 SB-18 JB	19,8 kg
FL70201000	FL70 54000 850 220-254 BN25 XNB-27 JB	19,8 kg
FL70202000	FL70 54000 850 220-254 BN25 XNB-39 JB	19,8 kg
FL70203000	FL70 54000 850 220-254 BN25 NB-60 JB	19,8 kg
FL70204000	FL70 54000 850 220-254 BN25 MB-80 JB	19,8 kg
FL70205000	FL70 54000 850 220-254 BN25 WB-100 JB	19,8 kg
FL70206000	FL70 54000 850 220-254 BN25 XWB-120 JB	19,8 kg


 LxWxD
409mm x 588mm x 245mm

LUMINELL RLX B LED FLOODLIGHT

Application	Decks and holds, ramps, industrial areas
Protection degree	IP66/67
Housing	Seawater resistant aluminum anodized
Mounting	Adjustable stainless steel bracket with mounting holes
Light source	LED, CRI >70, 5000K
Light output	5000 lm
Power consumption	40W
Operating voltage	9-36 VDC
Temperature range	-40°C / +55°C
Beam angles	40° and 60° beam



LUMINELL RLX C LED FLOODLIGHT

Application	Decks and holds, ramps, industrial areas
Protection degree	IP66/67
Housing	Seawater resistant aluminum anodized
Mounting	Adjustable stainless steel bracket with mounting holes
Light source	LED, CRI >70, 5000K
Light output	11.000 lm
Power consumption	80W
Operating voltage	100- 277 VAC, 19- 30 VDC
Temperature range	-40°C / +55°C
Beam angles	10 spot beam – 120 wide beam



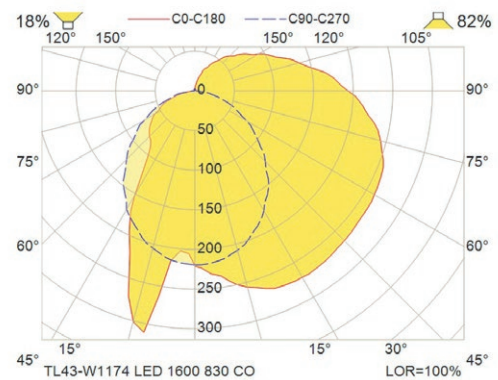
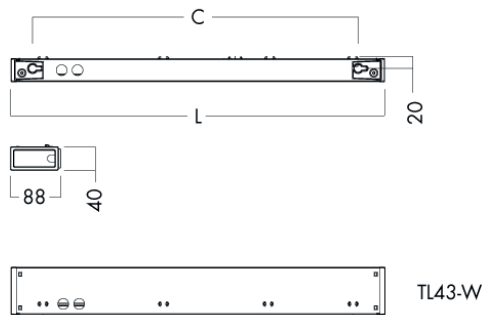
LUMINELL RLX D LED FLOODLIGHT

Application	Decks and holds, ramps, industrial areas
Protection degree	IP66/67
Housing	Seawater resistant aluminum anodized
Mounting	Adjustable stainless steel bracket with mounting holes
Light source	LED, CRI >70, 5000K
Light output	22.000 lm
Power consumption	160 and 240W
Operating voltage	100- 277 VAC, 19- 30 VDC
Temperature range	-40°C / +55°C
Beam angles	10 spot beam – 120 wide beam



TL43-W LED CORNICE LUMINAIRE

Application	Accommodation areas, passage ways
Protection degree	IP20
Housing	Steel housing powder coated white RAL 9016 with plastic end caps.
Diffuser	Opal polycarbonate
Cable entry	2 inlets for max. cable dia. 20,5mm
Light source	LED (included)
Mounting	to be installed directly to wall or ceiling



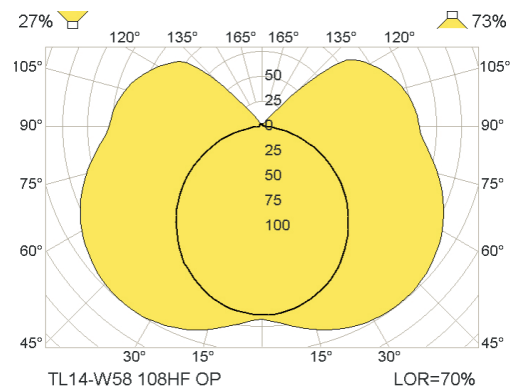
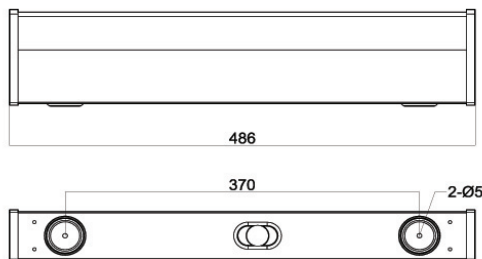
Type	L	C
TL43W 574 LED	574	490
TL43W 1174 LED	1174	1090

PART NO.

TL43513063	TL43 LED- W574 220-240V 800HF 830 CO
TL43536422	TL43-W574 LED 1300HF 830 OP
TL43536427	TL43-W1174 LED 2600HF 840 OP

TL14 MIRROR LUMINAIRE

Application	Mirror lamp for wall mounting above or on side of mirror. Also available as bed light as a short 300lm version.
Protection degree	IP44, with universal socket IP23
Housing	Steel housing with spring operated plastic end caps
Finish	Powder coated white RAL 9016
Diffuser	Opal polycarbonate
Cable entry	One hole Ø19 with grommet in back. One knock-out Ø19 at top
Light source	LED
Mounting	To be installed directly to wall or ceiling, 2 holes Ø5mm


PART NO.

TL14183814	LED 800HF 830 OP
TL14183845	LED 800HF 830 S OP
TL14183821	LED 800HF 830 U OP
TL14183852	LED 800HF 830 SU OP
TL14183777	LED 300HF 830 SSC OP

WEIGHT

1,4 kg
1,4 kg
2,0 kg
2,0 kg
0,9 kg

OP = opal diffuser

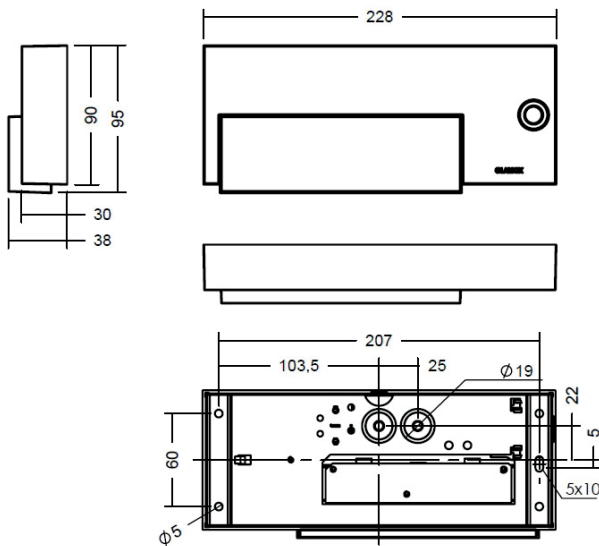
S = switch

SU = switch, universal razor socket
with transformer/selecter 230/110- 230V

SSC = switch and schuko type socket

AL42-W BERTH LIGHT LED

Application	Bed light for cabins
Protection degree	IP40
Housing	Polyamide
Diffuser	Opal- white polycarbonate
Light source	LED- 6W- 350 lumen out
Voltage	110-240V 50-60Hz
Mounting	3 screws
USB	Optional with double USB port A+C


PART NO.
[AL4212300](#)

AL42-W95 LED 350 S-DIM 830

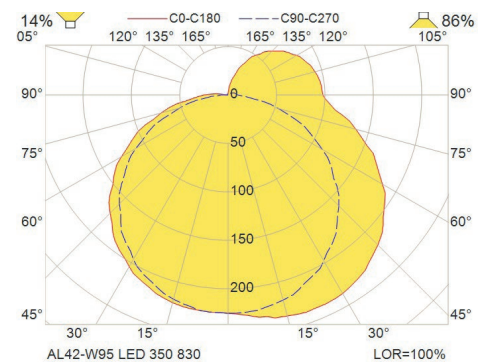
[AL4222300](#)

AL42-W95 LED 350 S-DIM 830 USB

WEIGHT

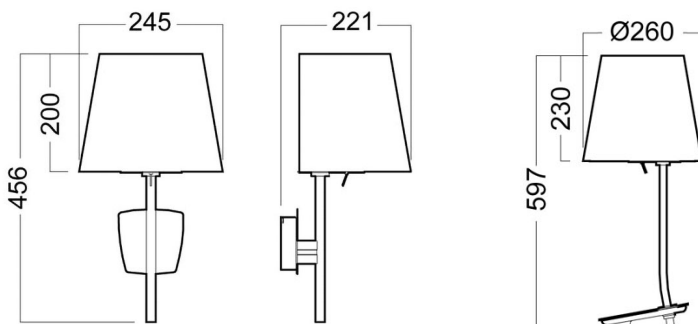
0,6 kg

0,6 kg



FLECTO WALL/TABLE LIGHT

Application	Accommodation areas, lounges, dining-rooms
Protection degree	IP20
Housing	Stainless steel
Diffuser	plastic acrylic diffuser with shade made in Perlatex
Cable entry	Opening on rear side
Lamp base	E27
Light source (not incl.)	Incandescent all purpose lamp max 60W
Distribution up/down	60/40


PART NO.

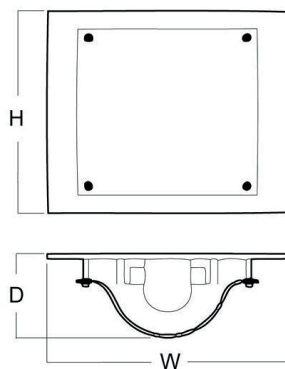
167510685	60W E27 stainless steel- WALL
167510690	60W E27 stainless steel- TABLE

WEIGHT

1,1 kg
4,1 kg

WALLE WALL LIGHT

Application	Accommodation areas, lounges, dining-rooms
Housing	Finished in white painted steel
Diffuser	Opal Polycarbonate
Cable entry	Opening on rear side
Light source	LED - 800 or 1000 lumen out CRI 80, 3000 or 4000K
Driver	Electronic ballast DALI



Walle	W	H	D
Walle LED	340 mm	285 mm	100 mm

PART NO.

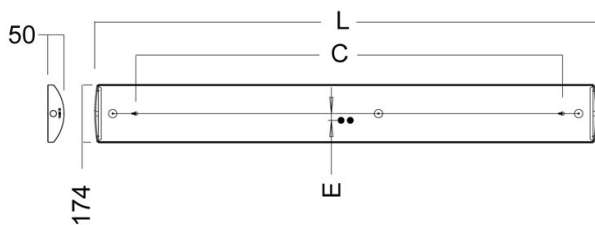
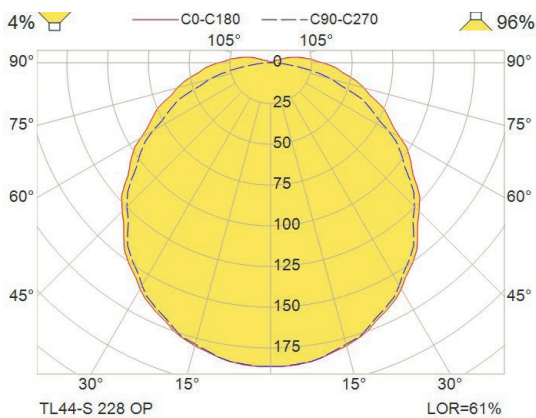
WAW028925	WALLE (M) WH LED 1000 DALI 840 OP
WAW028926	WALLE (M) WH LED 1000 DALI 830 OP PC
WAW028927	WALLE (M) WH LED 800 DALI 840 OP PC
WAW028928	WALLE (M) WH LED 800 DALI 830 OP PC

WEIGHT

2,5 kg
2,5 kg
2,4 kg
2,4 kg

TL44-S G2 CEILING LUMINAIRE, SURFACE

Application	Accommodation areas, public areas etc.
Protection degree	IP44
Housing	Galvanised steel sheet, white
Finish	Powder coated white RAL 9016
Diffuser	Clear or opal polycarbonate
Cable entry	1 x Ø19 mm knock-out in each end cap and 2 x membrane glands in top
Light source	LED
Supply voltage	230V
Mounting	4 / 6 mounting holes, Ø 5mm
Driver	Fixed output (HF) or optional DALI dimmable.



Size	L	C	E
TL44-S G2 LED 2000	662	400	20.5
TL44-S G2 LED 3600	1222	1000	20.5

PART NO.

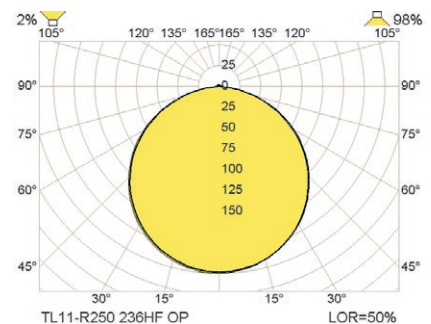
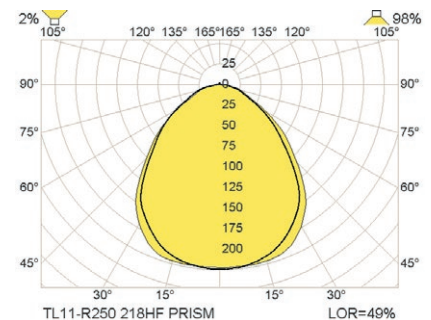
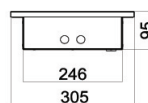
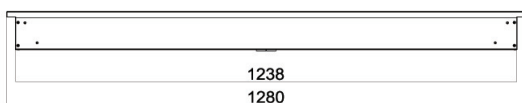
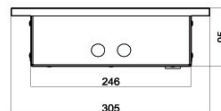
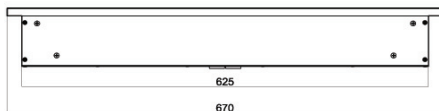
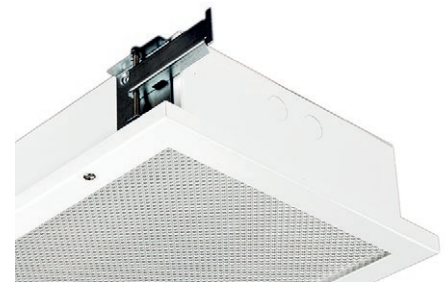
TL44090542	TL44-S G2 LED 2000 HF 830 OP
TL44090550	TL44-S G2 LED 3600 HF 830 OP
TL44090686	TL44-S G2 LED 2000 HF E3/S 830 OP
TL44090556	TL44-S G2 LED 3600 HF E3/S 830 OP

WEIGHT

1,8 kg
3,0 kg
2,3 kg
3,1 kg

TL11 CEILING LUMINAIRE, RECESSED

Application	Accommodation areas, public areas etc.
Protection degree	IP44
Housing	Galvanised steel sheet, white
Finish	Powder coated white RAL 9016
Diffuser	Double prismatic (DP) or Opalic (OP) plastic sheet in steel frame (IP44)
Cable entry	Two holes Ø20,5 mm with rubber grommet on top, and two knock outs Ø20,5 mm in each end.
Light source	LED
Mounting	Installed in ceiling cut out with adjustable suspension brackets. (not included)



PART NO.

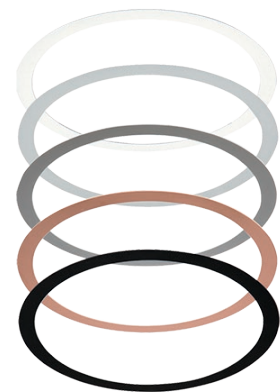
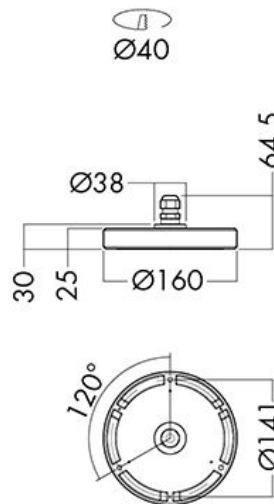
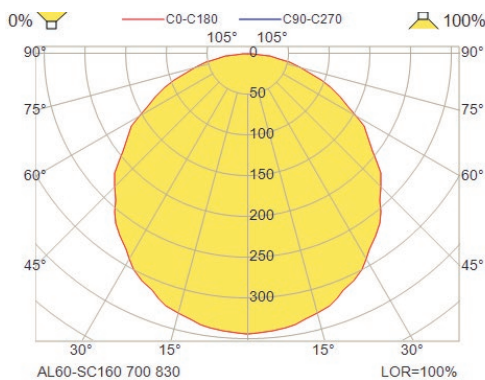
TL25273111	TL11-R250 LED 1500HF 830 220-240V 50/60Hz DP	4,7 kg
TL25273102	TL11-R250 LED 1300HF 830 220-240V 50/60Hz OP	4,7 kg
TL25473101	TL11-R250 LED 3000HF 830 220-240V 50/60Hz DP	8,3 kg
TL25473102	TL11-R250 LED 2600HF 830 220-240V 50/60Hz OP	8,3 kg
TL11210003	MNT-S TL11-R250 mounting kit	

WEIGHT

DP = Double Prismatic
OP = Opalic

AL60-SC ACCOMODATION LIGHT LED

Application	For crew and public areas as cabins, corridors, stair cases, toilets, lounges and shopping areas.
Protection degree	IP65
Housing	Aluminium
Cable insert	Grommet cable gland (2x)
Light source	LED- 3000K
Supply voltage	230V
Mounting	Fixed with 3 screws incl. cable with quick connector.
Options	Available in B0 fire protection design


PART NO.
AL60-SC
[AL6081331](#)

AL60-SC160 LED 700 HF 830 QCE WH/WH

WEIGHT

0,9 kg

[AL6081300](#)

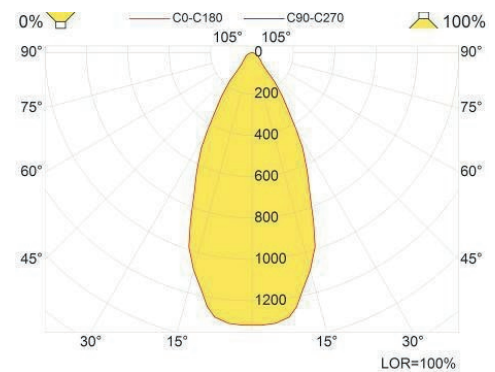
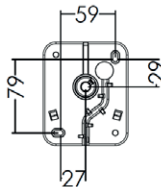
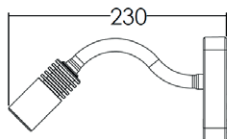
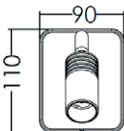
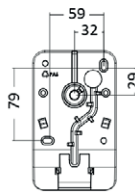
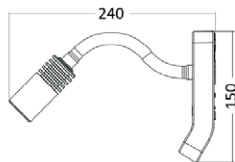
AL60-SC160 LED 700 HF 830 QCE GR/GR

0,9 kg

Other colors housing and decor rings on request

AL60 CABIN LIGHT LED G3

Application	For crew and public areas such as cabins, bridges or control rooms.
Protection degree	IP20
Housing	Solid PA (polyamide). The choice of colors are grey (RAL 9006) and Black (RAL 9005).
Termination	3x2x2,5 ² push in
Optic	Clear
Light source	LED- 3000K or 4000K on request
Dimmer	Switch has a dimming function from 5 - 100 %. Available with USB-C.


PART NO.
WEIGHT

AL6072300	AL60-CABIN USB LED 300 S-DIM 830 BL/BL/BL	0.67 kg
AL6072304	AL60-CABIN USB LED 300 S-DIM 830 BL/CH/BL	0.67 kg
AL6072305	AL60-CABIN USB LED 300 S-DIM 830 BL/CH/CH	0.67 kg
AL6062300	300 S-DIM 830 BL/BL/BL	0.6 kg
AL6062305	300 S-DIM 830 BL/WH/BL	0.6 kg
AL6062306	300 S-DIM 830 BL/CH/BL	0.6 kg

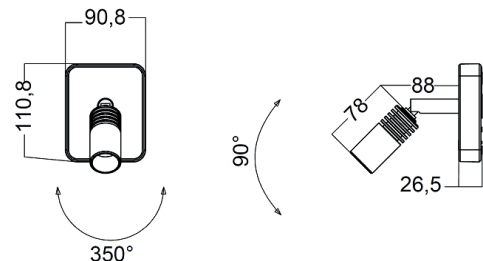
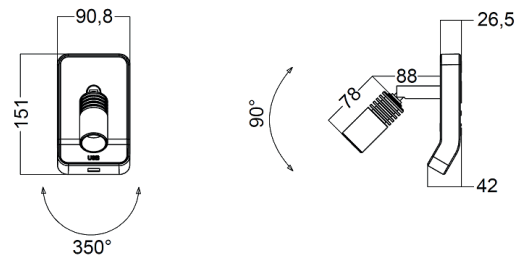
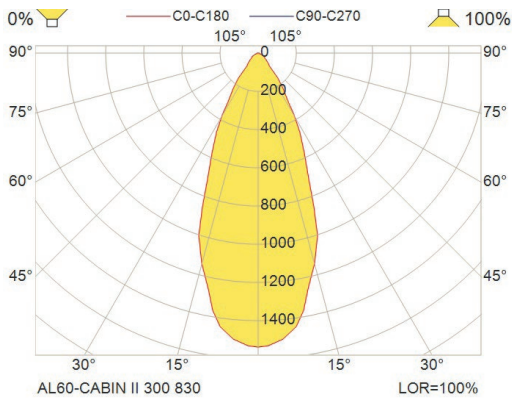
BL/BL/BL= black housing, black decor and black lamphead
 BL/CH/CH= black housing, chrome decor and chrome lamphead
 WH/CH/CH= white housing (USB only), chrome decor and chrome lamphead.

AL60 CABIN LIGHT II

Application	For crew and public areas such as cabins. For bridges or control rooms.
Protection degree	IP20
Housing	Polyamide (PA). Colors are Chrome or Black (RAL9005).
Lumen out	300
Termination	3x2x2,5 ² push in
Optic	Clear
Light source	LED- 3000K (4000K on request)
Switch	Switch has a dimming function from 5- 100 %



Incl. USB

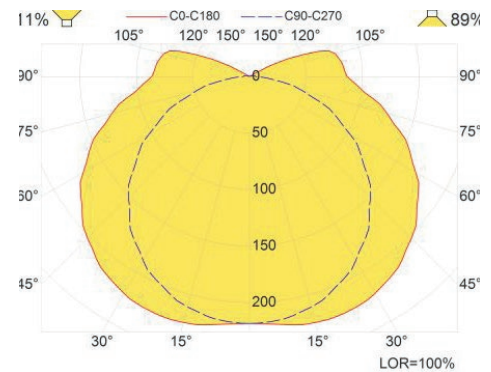
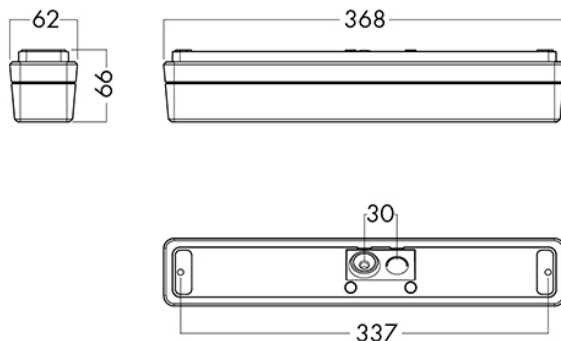


PART NO.

- [AL60539090](#) AL60-CABIN II LED 300 S-DIM 830 BL/CH/CH/CH
- [AL60539091](#) AL60-CABIN II LED USB 300 S-DIM 830 BL/CH/CH/C
- [AL60539092](#) AL60-CABIN II LED USB 300 S-DIM 830 BL/BL/BR/BL
- [AL60539093](#) AL60-CABIN II LED 300 S-DIM 830 BL/BL/BR/BL

AL60-W MIRROR LIGHT LED

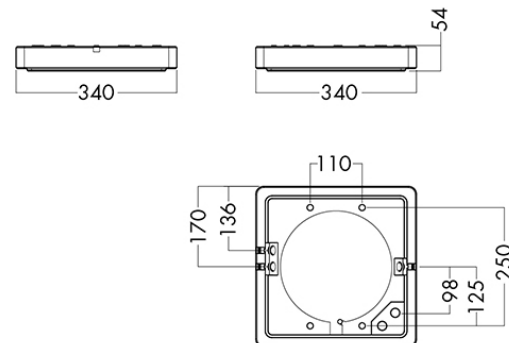
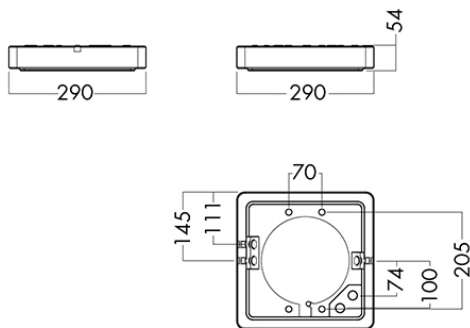
Application	Mirror light for wall mounting above or on side and usage as berth light
Protection degree	IP54
Housing	Die-cast Aluminium painted in polyester powder paint in color grey (RAL 9006), White (RAL 9016) or Black (RAL 9005).
Diffuser	Opal polycarbonate
Cable insert	2 x M20 glands, 7-11mm cable dia.
Light source	LED - 3000K (4000K on request)
Driver	HF or DALI (with Switch-Dim). Option with Ultrasonic sensor (U-SEN)
Supply voltage	220-240V
Mounting	2 screws



PART NO.		WEIGHT
White		
AL6051301	LED 600 HF 830 WH	0,9 kg
AL6051501	LED 1000 HF 830 WH	0,9 kg
Grey		
AL6051300	LED 600 HF 830 GR	0,9 kg
AL6051500	LED 1000 HF 830 GR	0,9 kg
Black		
AL6051302	LED 600 HF 830 BL	0,9 kg
AL6051502	LED 1000 HF 830 BL	0,9 kg

AL60-SQ LED SURFACE MOUNTED

Application	For crew and public areas as cabins, corridors, stair cases, lounges and shopping areas.
Protection degree	IP54- IK10 impact class
Housing	Die-cast Aluminium painted in polyester powder paint in color Grey (RAL 9006), White (RAL 9016) or Black (RAL 9005).
Cable insert	3 x M20 grommet cable gland takes cables from 7- 11mm dia.
Light source	LED- 3000K (4000K on request)
Voltage	220-240V
Mounting	Surface or wall, fixed with 4 screws



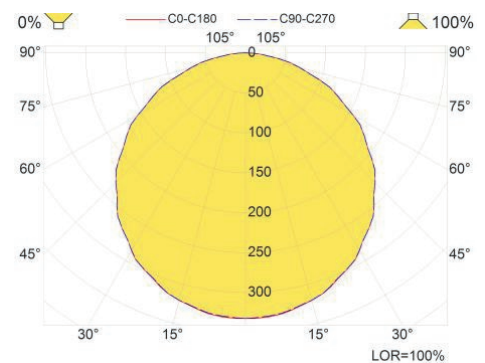
PART NO.

AL60 series (inside)

AL6031305	1000 HF 830 GR/GR	2,3 kg
AL6031309	1000 HF 830 WH/WH	2,8 kg
AL6041304	1700 HF 830 GR/GR	3,1 kg
AL6041308	1700 HF 830 WH/WH	3,0 kg

Other color decor; black/chrome/copper on request

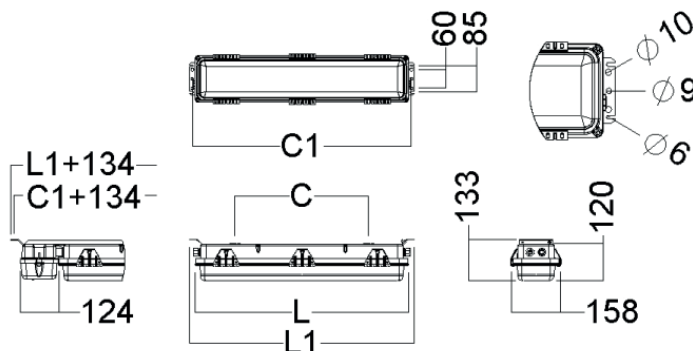
WEIGHT



MAX LED - ZONE 1 LED LUMINAIRE

Application	ATEX and IECEx zone 1, 2, 21 and 22
Protection degree	IP66/67
Housing	Aluzinc (Z) or stainless steel (S)
Cable insert	2 x M20 polyamide or M25 nickel plated brass. through wiring 6 x 2,5 mm ²
Optic	Polycarbonate
Light source	LED- 5000K
Mounting	Fixed end brackets as standard, other on request.

*Emergency light versions are available with 1.5 or 3-hours battery duration.



Types	L1	C1	L	C= Hood nuts M8 distance		
MAX-600 LED IC	724	704	687	400	430	500
MAX-1200 LED IC	1334	1314	1296	500	700	950

PART NO.

Galvanised

MAX085676	MAXZ67-600 LED 2200 HF TW PC 840 M20
MAX085659	MAXZ67-1200 LED 4500 HF TW PC 840 M20

Stainless steel:

MAX084812	MAXS67-600 LED 2200 HF TW PC 840 BN25
MAX084808	MAXS67-1200 LED 4500 HF TW PC 840 BN25

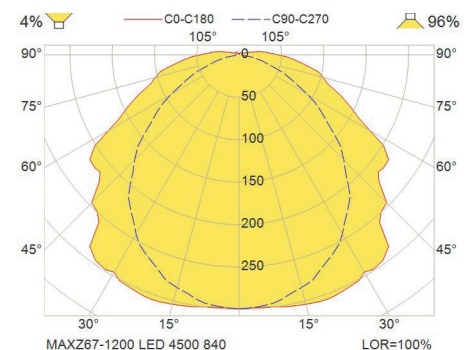
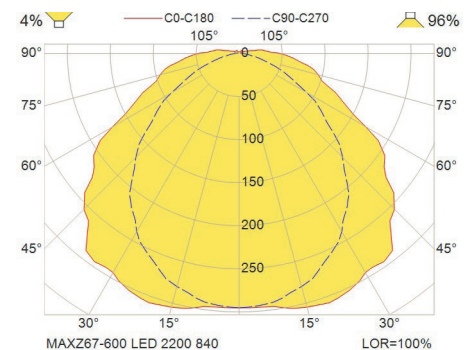
Galvanised + battery:

MAX085662	MAXZ67-600 LED 2200 HF-EB3/S TW PC 840 M20	7 kg
MAX085660	MAXZ67-1200 LED 4500 HF-EB3/S TW PC 840 M20	10.2 kg

Stainless st + batt:

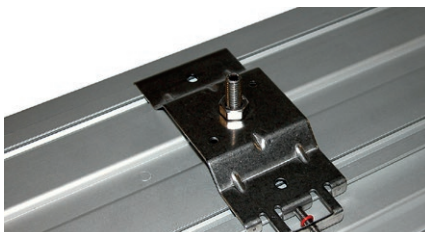
MAX084813	MAXS67-600 LED 2200 HF-EB3/S TW PC 840 BN25	7.3 kg
MAX084809	MAXS67-1200 LED 4500 HF-EB3/S TW PC 840 BN25	11.2 kg

WEIGHT



TX60 LED - ZONE 1 LED LUMINAIRE

Application	ATEX and IECEx zone 1, 2, 21 and 22
Protection degree	IP66/67
Housing	Seawater resistant anodized aluminium
Optic	Soft opalic polycarbonate diffuser
Cable entry	M25-Polyamide, 07-17mm dia.
Light source	LED (2 x 12W or 2 x 24W)
Temperature range	-50°C up to +55°C
IC driver	100.000 hrs at +45°C with no system lifetime limitations
Mounting	GL version with brackets, AS version with bolts, mounting distance adjustable



AS mounting system



GL mounting system

PART NO.

TX60095000	2200 850 230 M25 GL
TX60095400	2200 850 230 M25 AS
TX60695000	4500 850 230 M25 GL
TX60695400	4500 850 230 M25 AS

WEIGHT

4,0 kg
3,8 kg
7,3 kg
7,1 kg

Battery backup

TX60195600	2200 850 230 HFE3 M25 AS
TX60795600	4500 850 230 HFE3 M25 AS

5,7 kg
9,0 kg

FX60 EX LED FLOODLIGHT

Application	Hazardous areas zone 1 and zone 2
Protection degree	IP66/67
Housing	Modules out of di-casting, seawater resistant aluminium, frame and bracket out of stainless steel AISI 316
Pane	Polycarbonate
Light output	4500lm per module
Cable entry	M24x1,5 nickel plated brass
Light source	LED 40W for each module
Mounting	Adjustable bracket with mounting holes, diameter 11/14mm



NB = Narrow Beam = 60°
 MB = Medium Beam = 90°
 WB = Wide Beam = 120°

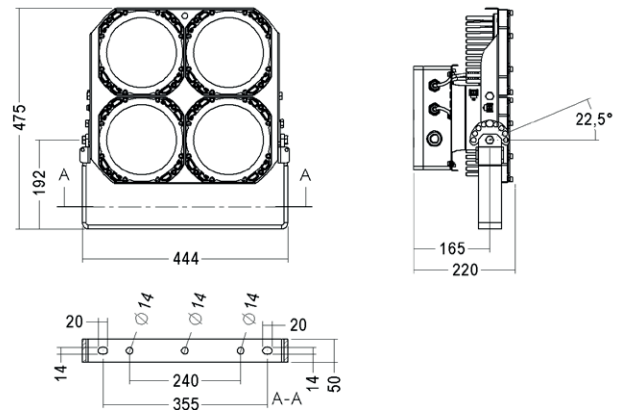
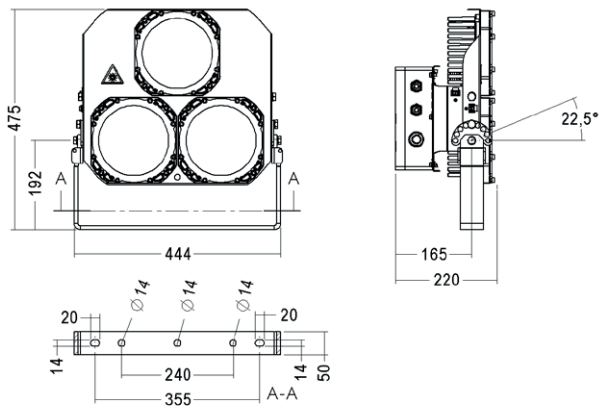
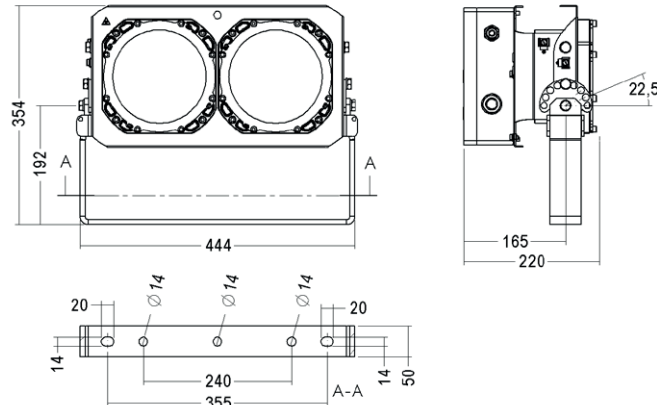
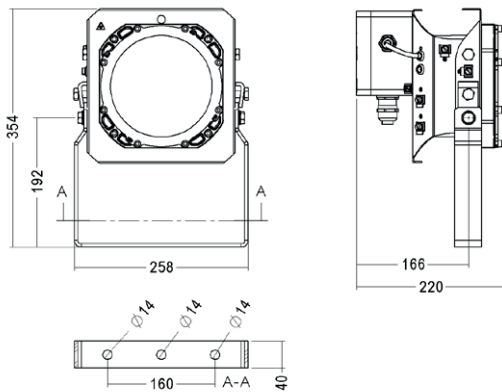
PART NO.

FX60100000	1 x 40W 230V 50/60Hz M25 NB
FX60101000	1 x 40W 230V 50/60Hz M25 MB
FX60102000	1 x 40W 230V 50/60Hz M25 WB
FX60200000	2 x 40W 230V 50/60Hz M25 NB
FX60201000	2 x 40W 230V 50/60Hz M25 MB
FX60202000	2 x 40W 230V 50/60Hz M25 WB
FX60300000	3 x 40W 230V 50/60Hz M25 NB
FX60301000	3 x 40W 230V 50/60Hz M25 MB
FX60302000	3 x 40W 230V 50/60Hz M25 WB
FX60400000	4 x 40W 230V 50/60Hz M25 NB
FX60401000	4 x 40W 230V 50/60Hz M25 MB
FX60402000	4 x 40W 230V 50/60Hz M25 WB

WEIGHT

7.5 kg
7.5 kg
7.5 kg
14 kg
14 kg
14 kg
17.6 kg
17.6 kg
17.6 kg
20.5 kg
20.5 kg
20.5 kg

HOLLAND STANDARD

FX60


LUMINELL RLX CXZ1.21

Application	LED floodlight for hazardous areas, both ATEX and IECEx zone 1, 2, 21 and 22
Protection degree	IP66/67
Housing	Seawater resistant aluminum anodized
Mounting	Adjustable stainless steel bracket
Light source	LED, CRI >70, 5000K
Light output	6500lm- 19.000lm
Power consumption	40W, 80W, 120W and 160W
Operating voltage	100-277VAC, 100-300VDC
Temperature range	-40°C / +55°C
Beam angles	15°, 40°, 60°, 60×40, 80×60, 45×15



LUMINELL RLX DXZ1.21

Application	Very powerful Ex Zone 1 certified LED floodlight for tankers, oil rigs and other hazardous areas.
Protection degree	IP66/67
Housing	Seawater resistant aluminum anodized
Mounting	Adjustable stainless steel bracket
Light source	LED, CRI >70, 5000K
Light output	13.000 lm- 31.000 lm
Power consumption	80W, 160W and 240W
Operating voltage	100-277VAC, 100-300VDC
Temperature range	-55° C to +55° C
Beam angles	15°, 40°, 60°, 60×40, 80×60, 45×15



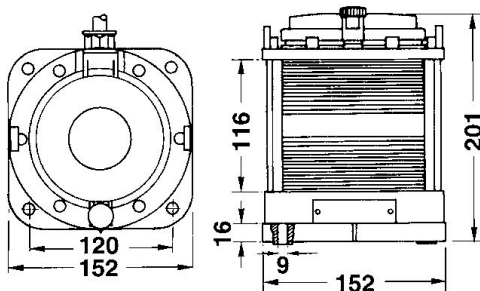
LUMINELL RLX DXZ2.21

Application	ATEX and IECEx approved. Zone 2, 21 and 22
Protection degree	IP66/67
Housing	Seawater resistant aluminum anodized
Mounting	Adjustable stainless steel bracket
Light source	LED, CRI >70, 5000K
Light output	31.000 lm
Power consumption	240W
Operating voltage	100-277VAC, 100-300VDC
Temperature range	-40°C / +55°C
Beam angles	15°, 40°, 60°, 60×40, 80×60, 45×15



NAVIGATION LIGHTS SERIES 55

Application	for vessels > 20- < 50 m in length
Protection degree	IP56
Housing	Polycarbonate, glass fibre reinforced, other components of non-corrosive materials. Non magnetic, seawater resistant, housing colour black
Cable insert	PG13,5 with buckling protection
Lamp base	BAY 15d
Light source (not incl.)	Incandescent lamp 12V/24V- 25W BAY 15d
Mounting	Base flange attachment, 4 screws diameter 8mm (not included). All lights may also be hoisted



PART NO.

3535110000	STARBOARD, 2 NM
3534210000	PORT, 2 NM
3532010000	MASTHEAD, 5 NM
3533710000	STERN, 2 NM
3533410000	STERN YELLOW, 2 NM
3531710000	ALL ROUND WHITE/ANCHOR/RIM, 2 NM
3531210000	ALL ROUND RED/NUC, 2 NM
3531110000	ALL ROUND GREEN, 2 NM

WEIGHT

1,3 kg
1,3 kg
1,3 kg
1,3 kg
1,3 kg
1,2 kg
1,2 kg
1,2 kg

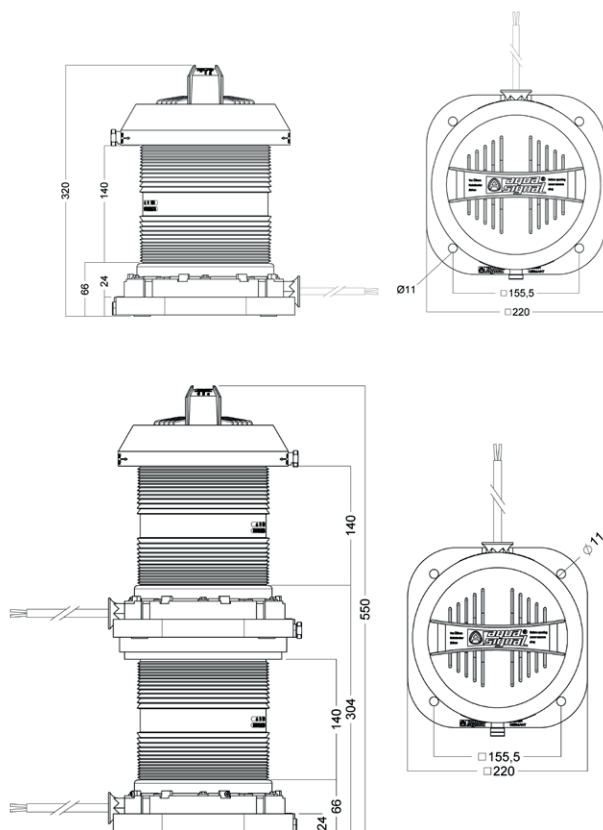
Bulb (not included):

LAMP12V-25W incandescent lamp 12V 25W BAY 15d

LAMP24V-25W incandescent lamp 24V 25W BAY 15d

NAVIGATION LIGHTS SERIES 70/70M

Application	For vessels $\geq 20m$ For inland waterways without limitation of ship's length
Protection degree	IP56
Housing	Polycarbonate, glass fibre reinforced, other components of non-corrosive materials. Non magnetic, seawater resistant, housing colour black
Electric	Main lighting (upper unit) and spare lighting (lower unit) each come with 1,5m special connection cable 2 x 1.5mm ²
Cable insert	2 special cable glands M20 x 1.5 with buckling protection
Lamp base	P28s
Light source (not incl.)	incandescent lamp
Mounting	Base flange attachment, 4 screws diameter 10mm (not included). All lights may also be hoisted



PART NO.

WEIGHT

Series 70 simplex:

3073100000	Starboard, 3 nm	2,9 kg
3074200000	Port, 3 nm	2,9 kg
3071000000	Masthead, 6 nm	2,9 kg
3072700000	Stern, 3 nm	2,9 kg
3072440000	Stern yellow, 3 nm	2,9 kg
3072200000	Suez stern red, 3 nm	2,9 kg
3070701000	All round white/anchor/RIM, 3 nm	2,7 kg
3070200000	All round red/NUC, 3 nm	2,7 kg
3070100000	All round green, 3 nm	2,7 kg
3070440000	All round yellow, 3 nm	2,7 kg
3070000000	Morse manoeuvre light, 5 nm	2,7 kg

Series 70M duplex:

3583100000	Starboard, 3 nm	5,9 kg
3584200000	Port, 3 nm	5,9 kg
3581000000	Masthead, 6 nm	5,9 kg
3582700000	Stern, 3 nm	5,9 kg
3582400000	Stern yellow, 3 nm	5,9 kg
3580700000	All round white/anchor/RIM, 3 nm	5,6 kg
3580200000	All round red/NUC, 3 nm	5,6 kg
3580100000	All round green, 3 nm	5,6 kg
3580440000	All round yellow, 3 nm	5,6 kg
3580300000	Passing light green/red, 3 nm	5,6 kg
3580310000	Passing light red/green, 3 nm	5,6 kg

Bulb (not included):

LAMP24V-40W	Incandescent lamp 24V 40W P28s
LAMP110V-60W	Incandescent lamp 110V 60W P28s
LAMP230V-65W	Incandescent lamp 230V 65W P28s

Can be ordered separately



NAVIGATION LIGHTS SERIES 60/61

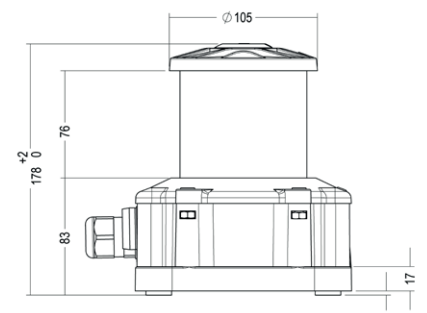
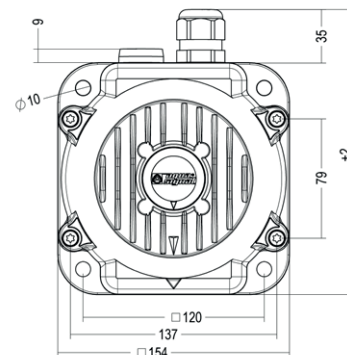
Application	Series 60: vessels from 20 to 50 m Series 61: vessels >50 m
Protection degree	IP66/IP67
Housing	Polycarbonate housing and housing cover. Borosilicate glass. Top: Seawater resistant aluminium Stainless screws and nuts (Hex. nuts M6)
Light source	High power LED (included)
Mounting	Cable gland M25 x 1.5 Polyamide, for outer cable \varnothing 9,00-17,00 mm Up to 400 m cable run



PART NO.

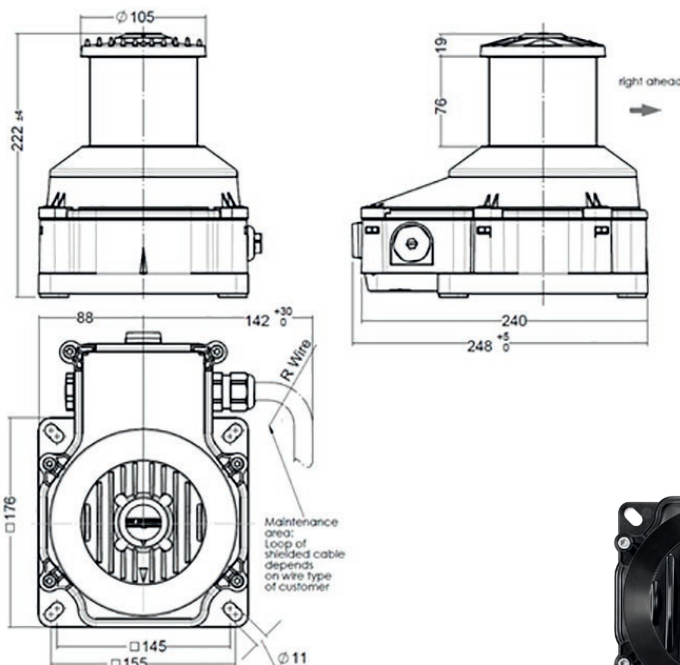
PART NO.		WEIGHT
366920X000	S60 Port, 2nm	1,7kg / 2kg
366810X000	S60 Starboard, 2nm	1,7kg / 2kg
366600X000	S60 Masthead, 5nm	1,7kg / 2kg
366770X000	S60 Stern white, 2nm	1,7kg / 2kg
366740X000	S60 Stern yellow, 2nm	1,7kg / 2kg
366570X000	S60 Signal white, 2nm	1,7kg / 2kg
366510X000	S60 Signal green, 2nm	1,7kg / 2kg
366520X000	S60 Signal red, 2nm	1,7kg / 2kg
366570X003	S60 Signal white (2x180°), 2nm	1,7kg / 2kg
366510X003	S60 Signal green (2x180°), 2nm	1,7kg / 2kg
366520X003	S60 Signal red (2x180°), 2nm	1,7kg / 2kg
367420X000	S61 Port, 3nm	1,7kg / 2kg
367310X000	S61 Starboard, 3nm	1,7kg / 2kg
367100X000	S61 Masthead, 6nm	1,7kg / 2kg
367270X000	S61 Stern white, 3nm	1,7kg / 2kg
367240X000	S61 Stern yellow, 3nm	1,7kg / 2kg
367070X000	S61 Signal white, 3nm	1,7kg / 2kg
367010X000	S61 Signal green, 3nm	1,7kg / 2kg
367020X000	S61 Signal red, 3nm	1,7kg / 2kg
367070X003	S61 Signal white (2x180°), 3nm	1,7kg / 2kg
367010X003	S61 Signal green (2x180°), 3nm	1,7kg / 2kg
367020X003	S61 Signal red (2x180°), 3nm	1,7kg / 2kg

X = 3 : 24V DC (1,7kg)
X = 5 : 115-230V AC (2kg)



NAVIGATION LIGHTS SERIES 75

Application	For vessels $\geq 20\text{m}$. For inland waterways without limitation of ship's length
Protection degree	IP66/67
Housing	Polycarbonate, Borosilicate glass
Dimensions	248 x 187 x 222 mm (LxWxH)
Light source	High power LED with integrated countdown system. Upper section main system, lower section backup system
Lifetime	2 x 100.000 hours at Ta 45°C (main and spare)
Mounting	4 hole mounting with connection box Same dimensions as Series 65/70/70M (base)
Options	- Artic version (-40°) incl. de-icing function - Upside down versions available - Hoistable versions available



Single



Double

HOLLAND STANDARD

SERIES 75

SERIES 75

		75 SINGLE		75D DOUBLE		
MAIN SYSTEM	VISIBILITY	115 / 230VAC	24VDC	115 / 230VAC	115 / 230VAC	24VDC
RESERVE SYSTEM				115 / 230VAC	24VDC	24VDC
PORT	3 nm	3684205000	3684203000	3679205000	3679206000	3679203000
STARBOARD	3 nm	3683105000	3683103000	3678105000	3678106000	3678103000
MASTHEAD	6 nm	3681005000	3681003000	3676005000	3676006000	3676003000
STERN WHITE	3 nm	3682705000	3682703000	3677705000	3677706000	3677703000
STERN YELLOW	3 nm	3682405000	3682403000	3677405000	3677406000	3677403000
ALL-ROUND WHITE	3 nm	3680705000	3680703000	3675705000	3675706000	3675703000
ALL-ROUND GREEN	3 nm	3680105000	3680103000	3675105000	3675106000	3675103000
ALL-ROUND RED	3 nm	3680205000	3680203000	3675205000	3675206000	3675203000
ALL-ROUND YELLOW	3 nm	3680405000	3680403000	3675405000	3675406000	3675403000
ALL-ROUND WHITE (2x180°)	3 nm	3680705003	3680703003	3675705003	3675706003	3675703003
ALL-ROUND GREEN (2x180°)	3 nm	3680105003	3680103003	3675105003	3675106003	3675103003
ALL-ROUND RED (2x180°)	3 nm	3680205003	3680203003	3675205003	3675206003	3675203003

SERIES 75 ARCTIC

		75 SINGLE		75D DOUBLE		
MAIN SYSTEM	VISIBILITY	115 / 230VAC	24VDC	115 / 230VAC	115 / 230VAC	24VDC
RESERVE SYSTEM				115 / 230 VAC	24 VDC	24VDC
PORT	3 nm	3684255000	3684253000	3679255000	3679256000	3679253000
STARBOARD	3 nm	3683155000	3683153000	3678155000	3678156000	3678153000
MASTHEAD	6 nm	3681055000	3681053000	3676055000	3676056000	3676053000
STERN WHITE	3 nm	3682755000	3682753000	3677755000	3677756000	3677753000
STERN YELLOW	3 nm	3682455000	3682453000	3677455000	3677456000	3677453000
ALL-ROUND WHITE	3 nm	3680755000	3680753000	3675755000	3675756000	3675753000
ALL-ROUND GREEN	3 nm	3680155000	3680153000	3675155000	3675156000	3675153000
ALL-ROUND RED	3 nm	3680255000	3680253000	3675255000	3675256000	3675253000
ALL-ROUND YELLOW	3 nm	3680455000	3680453000	3675455000	3675456000	3675453000
ALL-ROUND WHITE (2X180°)	3 nm	3680755003	3680753003	3675755003	3675756003	3675753003
ALL-ROUND GREEN (2X180°)	3 nm	3680155003	3680153003	3675155003	3675156003	3675153003
ALL-ROUND RED (2X180°)	3 nm	3680255003	3680253003	3675255003	3675256003	3675253003
ALL-ROUND RED (2X180°)	3 nm	3680255003	3680253003	3675255003	3675256003	3675253003