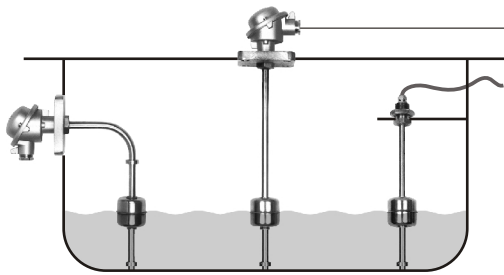
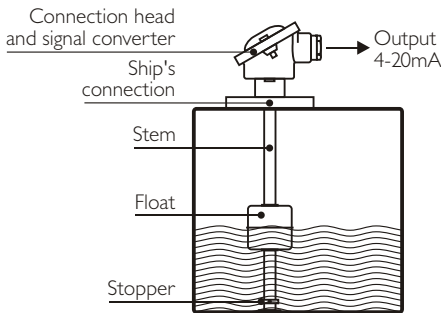


MAGNETIC LEVEL MEASUREMENTS ITMLM



• MAGNETIC LEVEL MEASUREMENTS

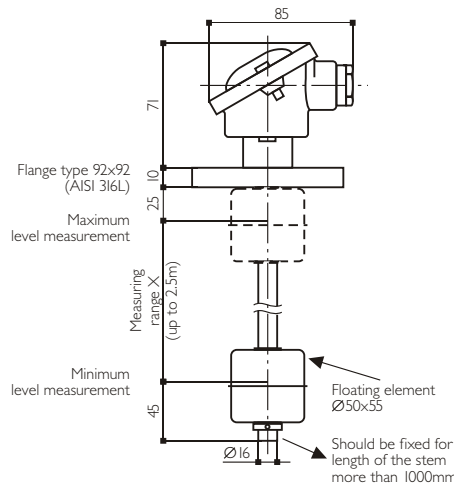
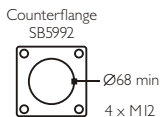
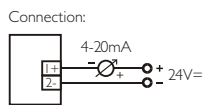
- Continuous level measurement
- Accuracy within 15 mm
- Measuring range up to 2.5 meters (more on special request only)
- Top or side mounting
- Material used (stainless steel AISI 316L) makes it suitable for use in various liquids



PRINCIPLE OF OPERATION

Resistors network and reed switches are incorporated in the stem. The float with built-in magnet moves with liquid level and activates reed switches. Resistor network changes value due to operation of reed switches. Over signal converter, resistance is converted to analogue signal of 4-20mA. Signal converter is inside of the connection head but also can be delivered in separate box.

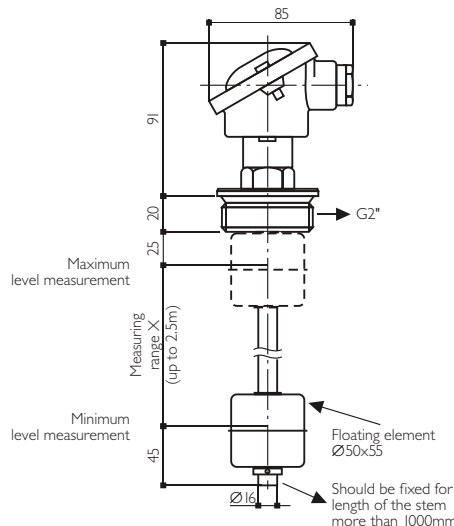
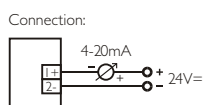
• ITMLM-01-92



TECHNICAL CHARACTERISTICS

- Connection head protection: IP 65 with cable gland PG 16
- Wetside material AISI 316L
- Flange: Standard 92x92 stainless steel AISI 316L
- Signal converter inside of connection head
- Temperature range: up to 100°C (for signal converter up to 70°C)
- Floating element Ø50x55, floatness 0.55
- Top mounting
- Resolution within 15mm
- Output 4-20mA

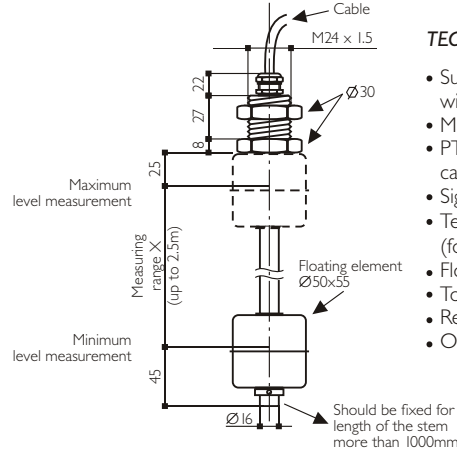
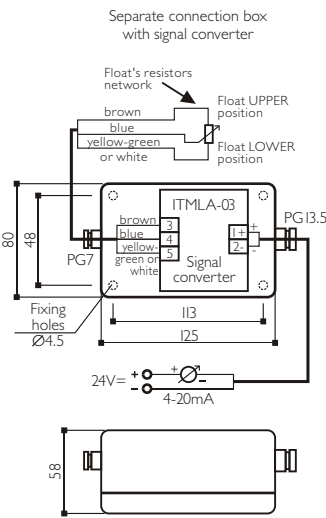
• ITMLM-01-G2"



TECHNICAL CHARACTERISTICS

- Connection head protection: IP 65 with cable gland PG 16
- Wetside material AISI 316L
- Ship's connection G2"
- Signal converter inside of connection head
- Temperature range: up to 100°C (for signal converter up to 70°C)
- Floating element Ø50x55, floatness 0.55
- Top mounting
- Resolution within 15mm
- Output 4-20mA

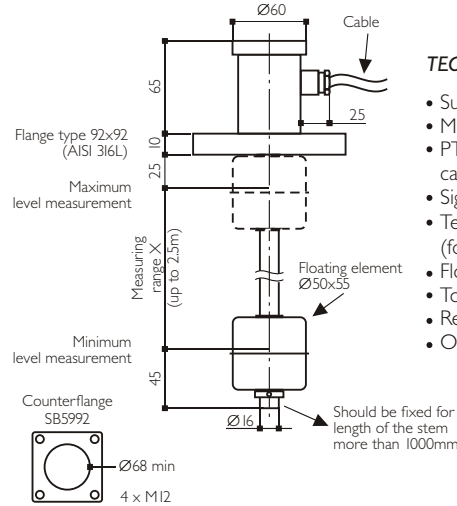
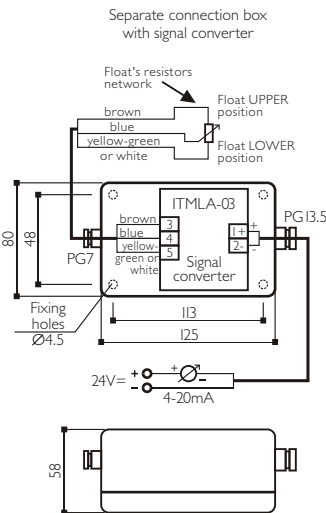
● ITMLM-02A-00



TECHNICAL CHARACTERISTICS

- Submersible version, IP 68 without connection box
- Material AISI 316L
- PTFE, teflon cable 3, 5, 7m or more can be ordered
- Signal converter is delivered separately
- Temperature range: up to 120°C (for signal converter up to 70°C)
- Floating element Ø50x55, floatness 0.55
- Top mounting
- Resolution within 15mm
- Output 4-20mA

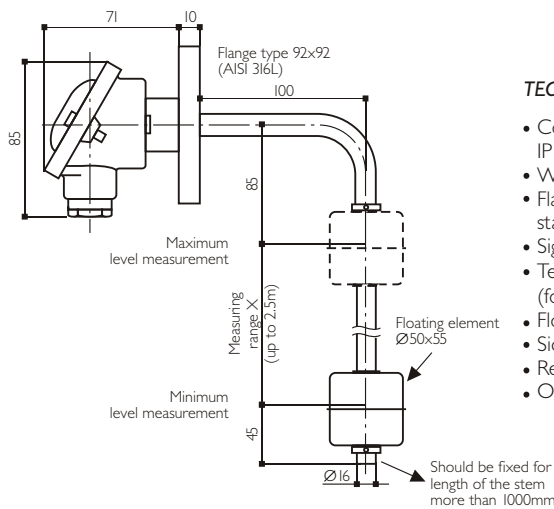
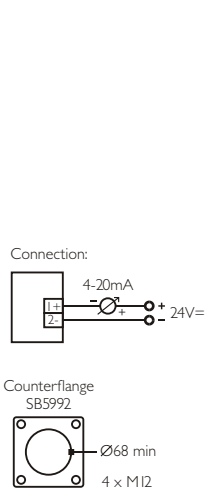
● ITMLM-02-92



TECHNICAL CHARACTERISTICS

- Submersible version, IP 68
- Material AISI 316L
- PTFE, teflon cable 3, 5, 7m or more can be ordered
- Signal converter is delivered separately
- Temperature range: up to 120°C (for signal converter up to 70°C)
- Floating element Ø50x55, floatness 0.55
- Top mounting
- Resolution within 15mm
- Output 4-20mA

● ITMLM-03-92



TECHNICAL CHARACTERISTICS

- Connection head protection: IP 65 with cable gland PG 16
- Wetside material AISI 316L
- Flange: Standard 92x92 stainless steel AISI 316L
- Signal converter inside of connection head
- Temperature range: up to 100°C (for signal converter up to 70°C)
- Floating element Ø50x55, floatness 0.55
- Side mounting
- Resolution within 15mm
- Output 4-20mA

All dimensions are in mm.