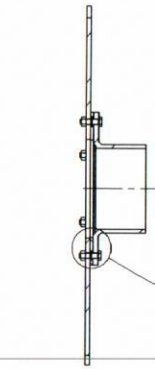
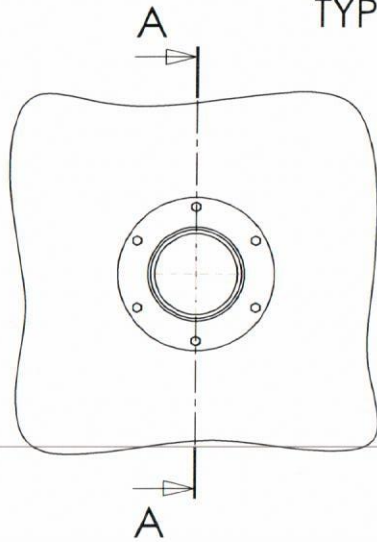


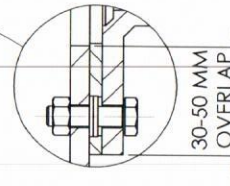
THIS DOCUMENT MUST NOT BE COPIED WITHOUT OUR WRITTEN PERMISSION AND THE CONTENTS THEREOF MUST NOT BE IMPARTED TO A THIRD PARTY NOR BE USED FOR ANY UNAUTHORIZED PURPOSE. CONTRAVENTION WILL BE PROSECUTED.

# TYPE SFRB/SFRBO SLEEVES

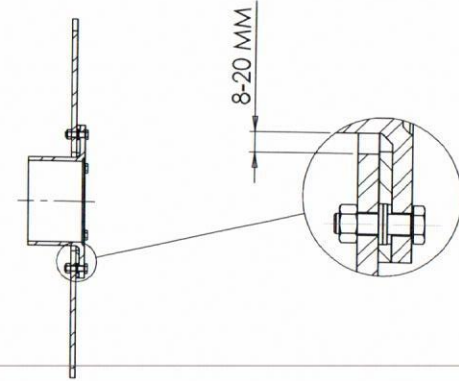
REVISIONS			
REV.	DESCRIPTION	DATE	SIGNATURE
A		2017-07-05	AK



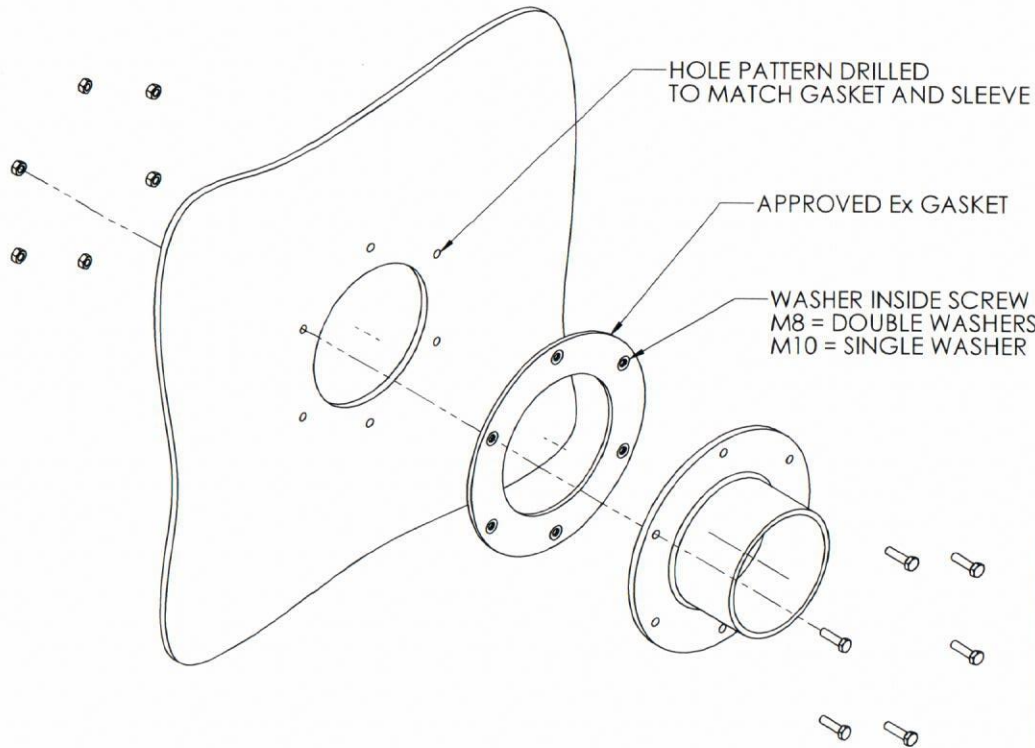
SECTION A-A



30-50 MM  
OVERLAP



8-20 MM



IECEx BAS 16.0111X  
Baseefa16ATEX0063X



Ritad Drawn	Kontr. Check	Granskad Reviewed	Godkänd Approved	Tolerans där ej annat anges Tolerance unless otherwise not stated.	Smsl. nr Assembly drawing no.	Ersätter Replaces	E
AK	AK	JF	BJ	Yt jämförelse där ej annat anges Surface finish otherwise not stated.	Material	Ersatt av Replaced of	Vikt Weight
170704	170705	170705	170705			Alla mått och uppgifter avser färdig produkt om ej annat anges. All measures and other information refer to finished products unless otherwise not stated.	
				ATEX / Ex EQUIPMENT INSTALLATION DRAWING FOR BOLTED SLEEVES		Kund ordernr. Customer order no.	
						Ritn. nr. Draw. no.	Rev.
						1170179	A